

# cooking collection

---

Instructions for use and warranty details

Rangehood  
Model No.: RHU60

 **kLEENmaid**

## Congratulations on the purchase of your new Kleenmaid appliance.

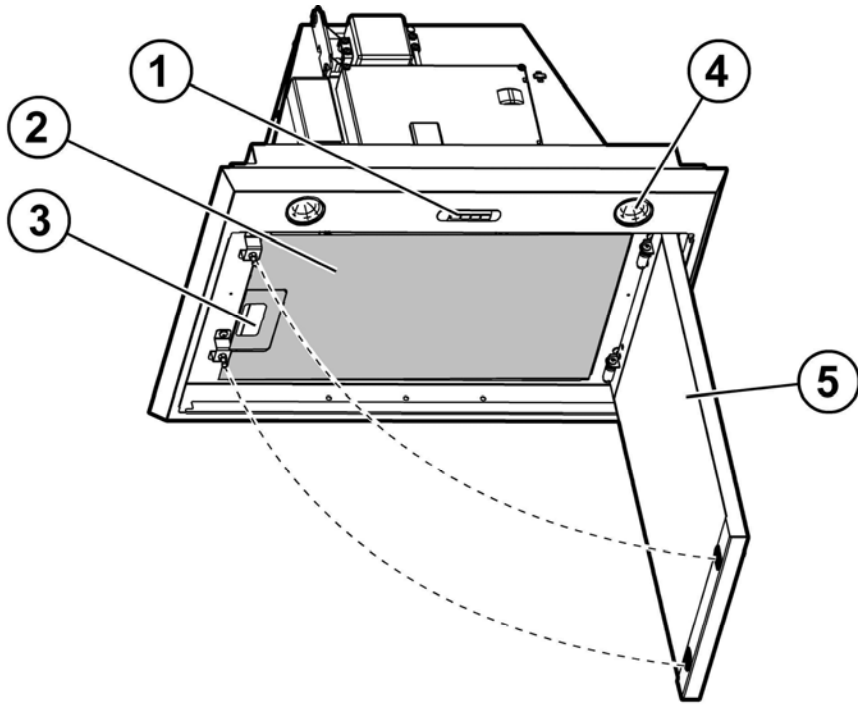
---

Your new Kleenmaid appliance has been designed and manufactured to give you years of reliable performance.

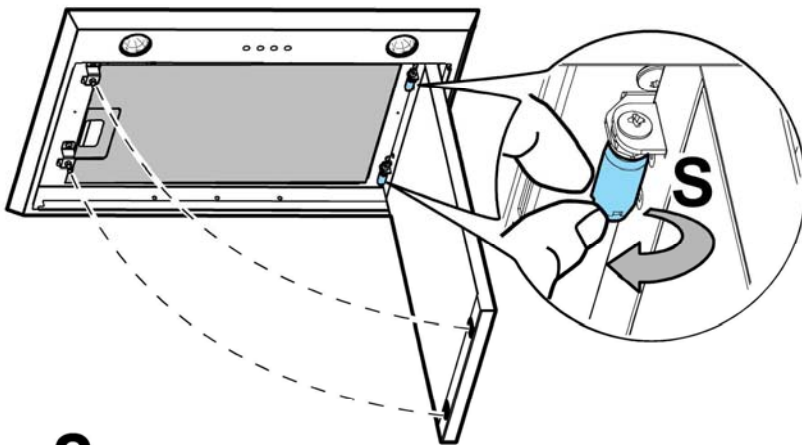
For best results, carefully read the instructions on how to install your new appliance. Correct installation will avoid delays and unnecessary service call costs.

Once installation is complete, please read this entire instruction manual carefully and get to know the controls and the features of your new Kleenmaid appliance.

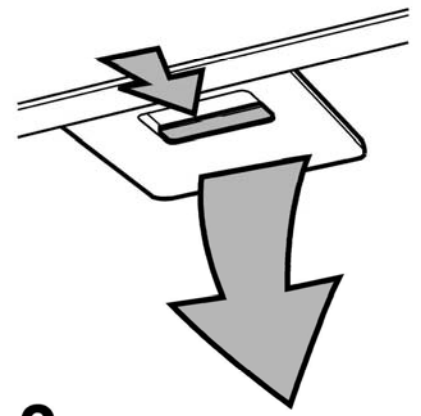
Again, congratulations and thank you for choosing Kleenmaid.



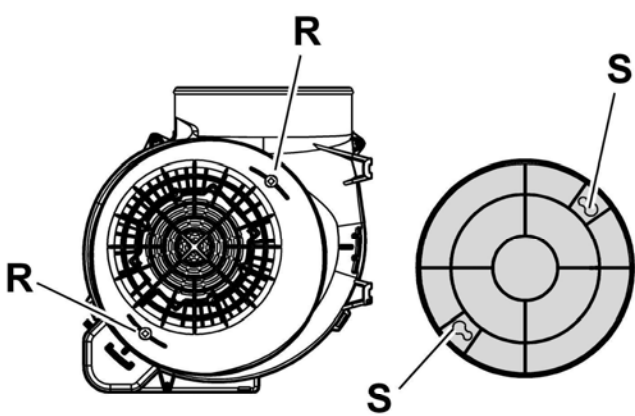
**1**



**2**



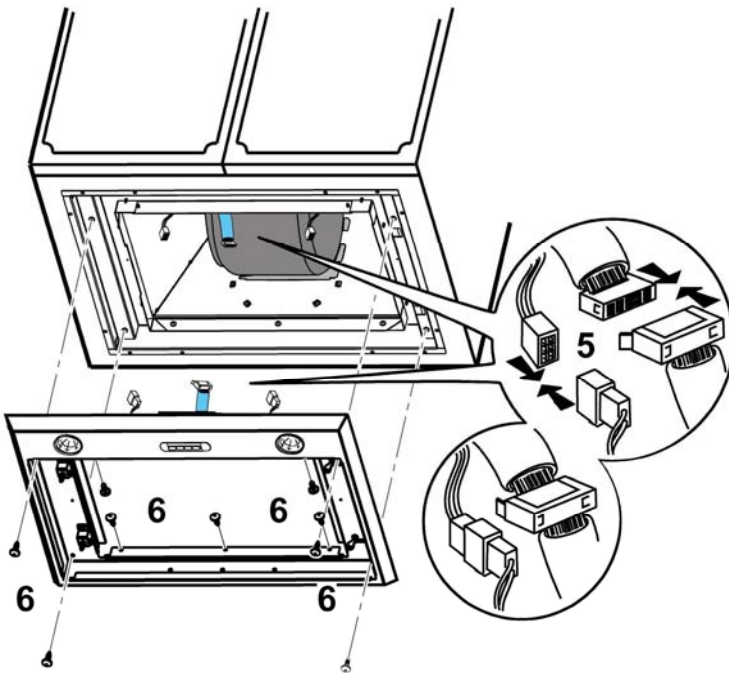
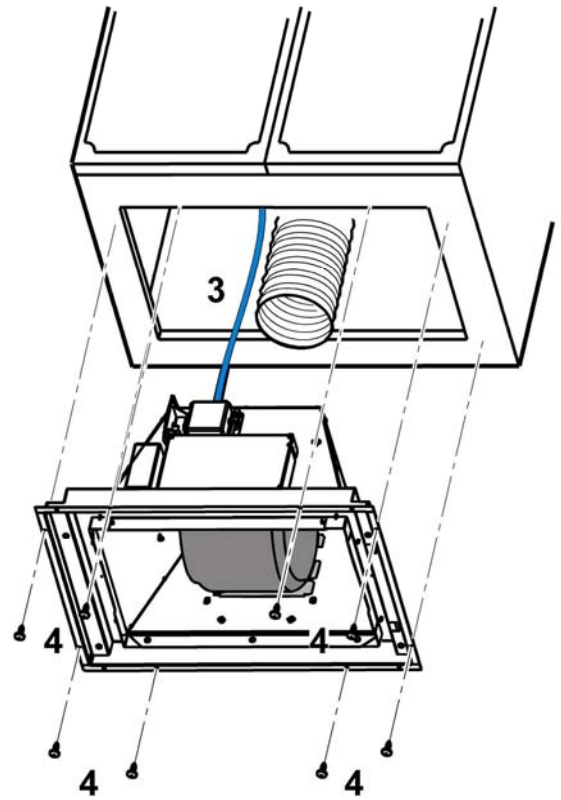
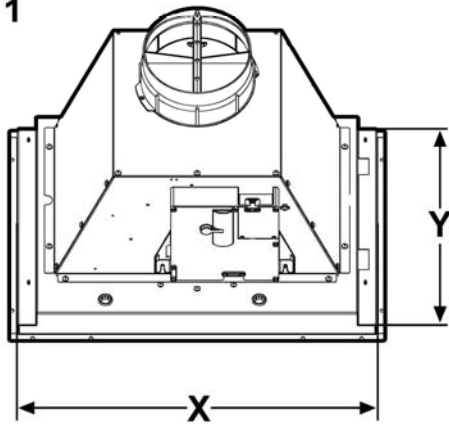
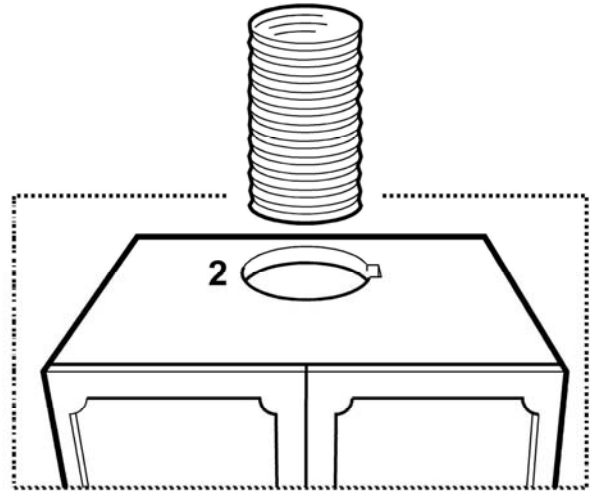
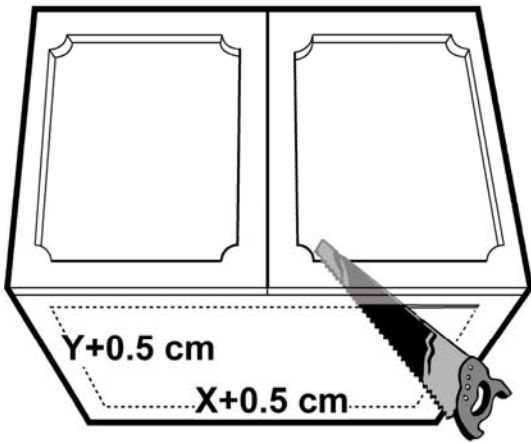
**3**



**4**



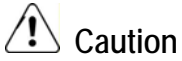
**5**



## EN - Instruction on mounting and use

Closely follow the instructions set out in this manual. All responsibility, for any eventual inconveniences, damages or fires caused by not complying with the instructions in this manual, is declined. The extractor hood has been designed exclusively for domestic use.

**Note:** the elements marked with the symbol “(\*)” are optional accessories supplied only with some models or elements to purchase, not supplied.



### Caution

**WARNING!** Do not connect the appliance to the mains until the installation is fully complete.

Before any cleaning or maintenance operation, disconnect hood from the mains by removing the plug or disconnecting the mains electrical supply.

Always wear work gloves for all installation and maintenance operations.

The appliance is not intended for use by children or persons with impaired physical, sensorial or mental faculties, or if lacking in experience or knowledge, unless they are under supervision or have been trained in the use of the appliance by a person responsible for their safety.

This appliance is designed to be operated by adults, children should be monitored to ensure that they do not play with the appliance.

This appliance is designed to be operated by adults. Children should not be allowed to tamper with the controls or play with the appliance.

Never use the hood without effectively mounted grating!

The hood must NEVER be used as a support surface unless specifically indicated.

The premises where the appliance is installed must be sufficiently ventilated, when the kitchen hood is used together with other gas combustion devices or other fuels.

The ducting system for this appliance must not be connected to any existing ventilation system which is being used for any other purpose such as discharging exhaust fumes from appliances burning gas or other fuels.

The flaming of foods beneath the hood itself is severely prohibited.

The use of exposed flames is detrimental to the filters and may cause a fire risk, and must therefore be avoided in all circumstances.

Any frying must be done with care in order to make sure that the oil does not overheat and ignite.

Accessible parts of the hood may become hot when used with cooking appliance.

With regards to the technical and safety measures to be adopted for fume discharging it is important to closely follow the regulations provided by the local authorities.

The hood must be regularly cleaned on both the inside and outside (AT LEAST ONCE A MONTH).

This must be completed in accordance with the maintenance instructions provided in this manual). Failure to follow the instructions provided in this user guide regarding the cleaning


of the hood and filters will lead to the risk of fires.

Do not use or leave the hood without the lamp correctly mounted due to the possible risk of electric shocks.

We will not accept any responsibility for any faults, damage or fires caused to the appliance as a result of the non-observance of the instructions included in this manual.

This appliance is marked according to the European directive 2002/96/EC on Waste Electrical and Electronic Equipment (WEEE). By ensuring this product is disposed of correctly, you will help prevent potential negative consequences for the environment and human health, which could otherwise be caused by inappropriate waste handling of this product.



The symbol  on the product, or on the documents accompanying the product, indicates that this appliance may not be treated as household waste. Instead it should be taken to the appropriate collection point for the recycling of electrical and electronic equipment. Disposal must be carried out in accordance with local environmental regulations for waste disposal.

For further detailed information regarding the process, collection and recycling of this product, please contact the appropriate department of your local authorities or the local department for household waste or the shop where you purchased this product.

## Use

The hood is designed to be used either for exhausting or filter version.

### Ducting version

The hood is equipped with a top air outlet **B** for discharge of fumes to the outside (exhaust pipe and pipe fixing clamps not provided).

**Attention! If the hood is supplied with carbon filter, then it must be removed.**

### Filtering version

In the case where it is not possible to discharge the cooking fumes and steam outside, the hood can be used in the **filtering version**, mounting 1 or 2 active carbon filters (\*).

The fumes and steam are recycled into the kitchen.

**Attention! If the hood is not supplied with carbon filter, then it must be ordered and mounted.**

The models with no suction motor only operate in ducting mode, and must be connected to an external suction device (not supplied).

The connecting instructions are supplied with the peripheral suction unit.

## Installation

The minimum distance between the supporting surface for the cooking equipment on the hob and the lowest part of the range hood must be not less than 50cm from electric cookers and 75cm from gas or mixed cookers.

If the instructions for installation for the gas hob specify a greater distance, this must be adhered to.



### Electrical connection

The mains power supply must correspond to the rating indicated on the plate situated inside the hood. If provided with a plug connect the hood to a socket in compliance with current regulations and positioned in an accessible area, after installation. If it not fitted with a plug (direct mains connection) or if the plug is not located in an accessible area, after installation, apply a double pole switch in accordance with standards which assures the complete disconnection of the mains under conditions relating to over-current category III, in accordance with installation instructions.

**Warning!** Before re-connecting the hood circuit to the mains supply and checking the efficient function, always check that the mains cable is correctly assembled.

## Mounting

### Fig. 6

#### Before beginning installation:

- Check that the product purchased is of a suitable size for the chosen installation area.
- Remove the charcoal (\*) filter/s if supplied (see also relative paragraph). This/these is/are to be mounted only if you want to use the hood in the filtering version.
- Check (for transport reasons) that there is no other supplied material inside the hood (e.g. packets with screws (\*), guarantees (\*), etc.), eventually removing them and keeping them.
- If possible, disconnect and move freestanding or slide-in range from cabinet opening to provide easier access to rear wall/ceiling. Otherwise put a thick, protective covering over countertop, cooktop or range to protect from damage and debris. Select a flat surface for assembling the unit. Cover that surface with a protective covering and place all canopy hood parts and hardware in it.
- In addition check whether near the installation area of the hood (in the area accessible also with the hood mounted) an electric socket is available and it is possible to connect a fumes discharge device to the outside (only suction version).
- Carry out all the masonry work necessary (e.g. installation of an electric socket and/or a hole for the passage of the discharge tube).

Expansion wall plugs are provided to secure the hood to most types of walls/ceilings. However, a qualified technician must verify suitability of the materials in accordance with the type of wall/ceiling. The wall/ceiling must be strong enough to take the weight of the hood. **Do not tile, grout or silicone this appliance to the wall. Surface mounting only.**

1. Make a slot on the underside of the cupboard according to the size given.
2. Make a hole on the underside of the cupboard as well to put the exhaust pipe and the electric cable through.
3. Connect an exhaust pipe to the hood connecting ring and check, while inserting the hood into the opening created on purpose, that the exhaust pipe and the electric cable come out of the hole made on the underside of the cupboard.
4. Fix the hood to the end of the cupboard with 8 screws.
5. Connect the control panel and the lamps to the power supply.  
**Warning: check that the linking cables aren't compressed between the frame holding the filter and the cooker hood.**
6. Fix the filter older frame to the hood with 9 screws.  
Reinstall the grease filter.

## Description of the hood

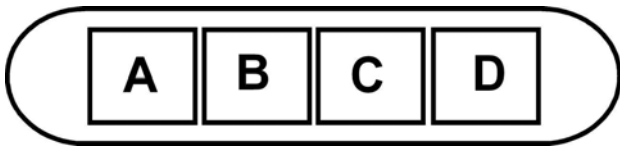
### Fig. 1

1. Control panel
2. Grease filter
3. Grease filter release handle
4. Halogen lamp
5. Perimeter suction panel

## Operation

Use the high suction speed in cases of concentrated kitchen vapours. It is recommended that the cooker hood suction is switched on for 5 minutes prior to cooking and to leave in operation during cooking and for another 15 minutes approximately after terminating cooking.

## Control panel



- A. on/off light switch
- B. on/off aspiration switch and minimum power selection
- B+C. medium power selection aspiration switch
- B+D. maximum power selection aspiration switch

## Maintenance

**ATTENTION!** Before performing any maintenance operation, isolate the hood from the electrical supply by switching off at the connector and removing the connector fuse.

Or if the appliance has been connected through a plug and socket, then the plug must be removed from the socket.

## Cleaning

The cooker hood should be cleaned regularly (at least with the same frequency with which you carry out maintenance of the fat filters) internally and externally. Clean using the cloth dampened with neutral liquid detergent. Do not use abrasive products. **DO NOT USE ALCOHOL!**

**WARNING:** Failure to carry out the basic cleaning recommendations of the cooker hood and replacement of the filters may cause fire risks.

Therefore, we recommend observing these instructions.

The manufacturer declines all responsibility for any damage to the motor or any fire damage linked to inappropriate maintenance or failure to observe the above safety recommendations.

## Panel - Fig. 2

**Attention!** Hold the panel with both hands when dismantling and re-mounting in position to avoid it falling and causing damage to people or things.

### Dismantling:

pull the panel (FRONT SIDE) downward with decision, unscrew safety knob S and unhook it from the rear hinge.

### Cleaning:

Clean the suction panel with the same frequency as the fats filter using a cloth soaked in neutral liquid detergents.

Avoid the use of products containing abrasives. **DO NOT USE ALCOHOLS.**

### Montage:

The panel must be hooked at the back and fixed in front fitted into the pins for the purpose on the surface of the hood.

**Attention!** always check that the panel is well fixed in its place.

## Grease filter - Fig. 3

**Traps cooking grease particles.**

This must be cleaned once a month (or when the filter saturation indication system – if envisaged on the model in possession – indicates this necessity) using non aggressive detergents, either by hand or in the dishwasher, which must be set to a low temperature and a short cycle.

When washed in a dishwasher, the grease filter may discolour slightly, but this does not affect its filtering capacity.

To remove the grease filter, pull the spring release handle.

## Charcoal filter (filter version only) - Fig. 4

**It absorbs unpleasant odours caused by cooking.**

The saturation of the charcoal filter occurs after more or less prolonged use, depending on the type of cooking and the regularity of cleaning of the grease filter.

In any case it is necessary to replace the cartridge at least every four months.

The charcoal filter may NOT be washed or regenerated.

Remove the grease filters.

Fit the charcoal filters over the motor.

Align the **pins R** on the cowl with the **slots S**, then turn the filter clockwise until it locks in place.

Reverse the above procedure to remove the charcoal filters.

Refit the grease filters.

## Replacing lamps - Fig. 5

Disconnect the hood from the electricity.

**Warning!** Prior to touching the light bulbs ensure they are cooled down.

- Use a small screwdriver as a lever on the borders of the lamp in order to remove the lightbulb.
- Slide out the lightbulb to be replaced and replace with a new 12V 20W MAX 30° Ø35 12V GU4.
- Carry out the replacement and mount the new lightbulb by following instructions in the reverse.

If the lights do not work, make sure that the lamps are fitted properly into their housings before you call for technical assistance.

# Warranty and Service

---

## **Domestic Warranty – Full two year warranty**

In addition to all statutory rights which you, the Purchaser, have under relevant laws in respect of this appliance, during the first two years of ownership as the original purchaser of this Kleenmaid appliance, Compass Capital Services trading as Kleenmaid guarantee that any fault caused by defective material or workmanship becoming apparent will be rectified free of charge with reference to parts and labour, provided that all service is performed during normal working hours by Kleenmaid or their designated Agents. Where the appliance is installed outside the normal servicing area of the above, the Purchaser must pay for the cost of transporting the appliance to and from the Agent or the Agent's travel cost to and from the purchaser's home.

## **Commercial Warranty – One year warranty**

When this appliance is installed in a commercial application, in addition to all statutory rights which you, the Purchaser, have under relevant laws in respect of this appliance, during the first one year of ownership as the original purchaser of this Kleenmaid appliance, Compass Capital Services trading as Kleenmaid guarantee that any fault caused by defective material or workmanship becoming apparent will be rectified free of charge with reference to parts and labour, provided that all service is performed during normal working hours by Kleenmaid or their designated Agents. Where the appliance is installed outside the normal servicing area of the above, the Purchaser must pay for the cost of transporting the appliance to and from the Agent or the Agent's travel cost to and from the purchaser's home.

## **What these warranties do not cover**

Compass Capital Services trading as Kleenmaid is not responsible for any damage or malfunction unless caused by a defect in material or workmanship. This includes but is not limited to abuse, misuse, improper installation and transportation damage. Compass Capital Services trading as Kleenmaid is not responsible for consequential damages from any malfunction.

This warranty does not cover consumable items, replacement of light globes or glass breakage due to impact. In case of fractured glass do not use your appliance.

## **Purchaser's responsibility**

The Purchaser must make the appliance available for servicing and shall bear any costs incurred for any de-installation and/or re-installation required to make the appliance available for servicing. Compass Capital Services trading as Kleenmaid is not liable for any consequential damage incurred during de-installation or re-installation.

## **Warranty registration and Proof of Purchase.**

Please complete warranty details below and retain together with your proof of purchase document.

When requesting service under this warranty the Purchaser agrees that Proof of Purchase of their Kleenmaid appliance will be necessary in order to make the warranty valid. Inability to provide Proof of Purchase even though this warranty is in place will not bind Compass Capital Services trading as Kleenmaid to repair the appliance at no charge under this warranty and will require the Purchaser to pay for the service costs in full.

**Model Number** \_\_\_\_\_ **Date of purchase** \_\_\_\_\_

## **For service assistance visit**

[www.kleenmaid-appliances.com.au](http://www.kleenmaid-appliances.com.au)



## Other products available in the Kleenmaid range of appliances

---

- | Washing machines
- | Clothes dryers
- | Dishwashers
- | Ovens
- | Cooktops
- | Steam ovens
- | Microwave ovens
- | Built in espresso  
coffee machines
- | Rangehoods
- | Freestanding ranges
- | Sinks
- | Taps

Compass Capital Services Pty Limited  
trading as Kleenmaid  
ABN 96138214525

Level 29, Chifley Tower,  
2 Chifley Square,  
Sydney NSW, 2000

E: [help@kmaid.com.au](mailto:help@kmaid.com.au)  
[www.kleenmaid-appliances.com.au](http://www.kleenmaid-appliances.com.au)



## Additional Installation Specifications

Use only the fixing screws supplied with the product for installation.

Use the correct length screws which are identified in the Installation Guide

## WARNING

Failure to install the screws or fixing device in accordance with these instructions may result in electrical hazards