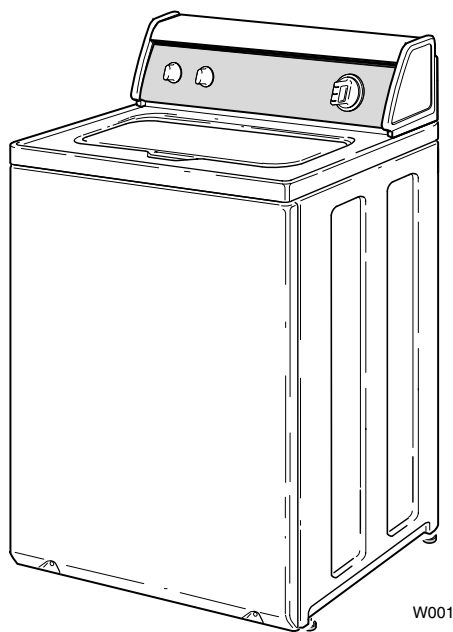


Automatic Washer

**Full Five Year Warranty
Parts & Labour**



W001

— Use and Care Guide —

Keep These Instructions for Future Reference.

(If this machine changes ownership, this manual must accompany machine.)



Part No. 38903R5
November 2003



WARNING

For your safety and to reduce the risk of fire or an explosion, do not store or use gasoline or other flammable vapors and liquids in the vicinity of this or any other appliance.

W022E

Table of Contents


Important Safety Instructions	5
Use and Care	7
Before Washing	7
Prepare Wash Load	7
Sort	7
Pretreat	8
Loading the Washer	8
Load Articles	8
Load Sizes	9
Water Level	9
Water	10
Water Hardness	10
Iron	10
Wash Temperature	11
Laundry Tips	12
Washing Temperature Guide	13
Optional Features	14
Bleach Dispenser	14
Fabric Softener Dispenser	14
Special Care	15
Starching	15
Knits	15
Permanent Press	16
Washing Special Items	17
Washing Concerns	18
Stain Removal	19
Maintenance	23
Washer Maintenance	23
Cold Weather Care	23
Care of Your Washer	23
Replacing Hoses	23
Vacations and Extended Non-Use	23
Reinstallation of Shipping Materials	23
Motor Overload Protector	23
Before You Call for Service	24
If Service Is Required	25
Automatic Washer Warranty	26
Domestic Warranty	26
Commercial Warranty	26
Easy Steps to Saving Water	27
Information for Handy Reference	28

© Copyright 2003, Alliance Laundry Systems LLC

All rights reserved. No part of the contents of this book may be reproduced or transmitted in any form or by any means without the expressed written consent of the publisher.

Important Safety Instructions

(Save These Instructions)

	WARNING
To reduce the risk of fire, electric shock, serious injury or death to persons when using your washer, follow these basic precautions:	
<small>W023</small>	

1. Read all instructions before using the washer.
2. Refer to the EARTHING INSTRUCTIONS in the INSTALLATION manual for the proper earthing of the washer.
3. Do not wash articles that have been previously cleaned in, washed in, soaked in, or spotted with gasoline, dry-cleaning solvents, or other flammable or explosive substances as they give off vapors that could ignite or explode.
4. Do not add gasoline, dry-cleaning solvents, or other flammable or explosive substances to the wash water. These substances give off vapors that could ignite or explode.
5. Under certain conditions, hydrogen gas may be produced in a hot water system that has not been used for two weeks or more. **HYDROGEN GAS IS EXPLOSIVE.** If the hot water system has not been used for such a period, before using a washing machine or combination washer-dryer, turn on all hot water faucets and let the water flow from each for several minutes. This will release any accumulated hydrogen gas. **THE GAS IS FLAMMABLE. DO NOT SMOKE OR USE AN OPEN FLAME DURING THIS TIME.**
6. Do not allow children to play on or in the washer. This appliance is not intended for use by young children or infirm persons without supervision. Young children should be supervised to ensure that they do not play with the appliance.
7. Before the washer is removed from service or discarded, remove the door to the washing compartment.
8. Do not reach into the washer if the washtub or agitator is moving.
9. Do not install or store the washer where it will be exposed to water and/or weather.
10. Do not tamper with the controls.
11. Do not repair or replace any part of the washer, or attempt any servicing unless specifically recommended in the User-Maintenance instructions or in published User-Repair instructions that you understand and have the skills to carry out.
12. To reduce the risk of an electric shock or fire, **DO NOT** use an extension cord or an adapter to connect the washer to the electrical power source.
13. Use your washer only for its intended purpose, washing clothes.
14. **ALWAYS** disconnect the washer from electrical supply before attempting any service. Disconnect the power cord by grasping the plug, not the cord.
15. Install the washer according to the **INSTALLATION INSTRUCTIONS.** All connections for water, drain, electrical power and earthing must comply with local codes and be made by licensed personnel when required. Do not do it yourself unless you know how!
16. To reduce the risk of fire, clothes which have traces of any flammable substances such as vegetable oil, cooking oil, machine oil, flammable chemicals, thinner, etc. or anything containing wax or chemicals such as in mops and cleaning cloths, must not be put into the washer. These flammable substances may cause the fabric to catch on fire by itself.
17. Do not use fabric softeners or products to eliminate static unless recommended by the manufacturer of the fabric softener or product.
18. Keep your washer in good condition. Bumping or dropping the washer can damage safety features. If this occurs, have your washer checked by a qualified service person.
19. If the supply cord is damaged, it must be replaced by a special cord or assembly available from the manufacturer or its service agent.
20. Be sure water connections have a shut-off valve and that fill hose connections are tight. **CLOSE** the shut-off valves at the end of each wash day.

Important Safety Instructions

21. Loading door **MUST BE CLOSED** any time the washer is to agitate or spin. **DO NOT** bypass the loading door switch by permitting the washer to spin with the loading door open. A brake will stop the washtub within seconds if the loading door is opened during spinning. If the washtub does not stop when the loading door is opened, remove the washer from use and call the service person.
22. Always read and follow manufacturer's instructions on packages of laundry and cleaning aids. Heed all warnings or precautions. To reduce the risk of poisoning or chemical burns, keep them out of the reach of children at all times (preferably in a locked cabinet).
23. Always follow the fabric care instructions supplied by the garment manufacturer.
24. Never operate the washer with any guards and/or panels removed.
25. **DO NOT** operate the washer with missing or broken parts.
26. **DO NOT** bypass any safety devices.
27. Failure to install, maintain, and/or operate this washer according to the manufacturer's instructions may result in conditions which can produce bodily injury and/or property damage.

NOTE: The WARNING and IMPORTANT SAFETY INSTRUCTIONS appearing in this manual are not meant to cover all possible conditions and situations that may occur. Common sense, caution and care must be exercised when installing, maintaining, or operating the washer.

Always contact your dealer, distributor, service agent or the manufacturer about any problems or conditions you do not understand.

Use and Care

Before Washing

Prepare Wash Load

Empty Pockets and Cuffs

Make sure all pockets are empty and turn them inside out. One bobby pin, metal or plastic toy, support wires from bras (recommended to be washed in a garment bag), nail or sharp object in a load can catch laundry and cause tears or damage the machine. Facial tissue left in a pocket will produce extreme “lint.” A crayon or lipstick in a wash load may cause stains that cannot be removed. Roll down cuffs and shake out grass, sand, and gravel.

Mend Rips and Tears

Little holes can become bigger in the washer. Mend holes and tears before placing garments in the washer.

Close Zipper and Fasten Hooks

These can catch on garments in a wash load and tear them. Tie belts and sashes so they won't wind around clothes.

Remove Nonwashable Trim

Check for colourfastness by squeezing a portion of garment in warm or hot sudsy water. If the colour bleeds or runs, wash the item separately in cold water.

Sort

Proper sorting is easy if you follow a few guidelines:

1. Sort by Colour

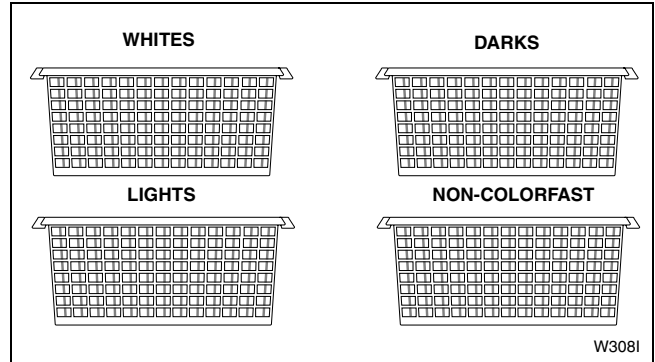


Figure 1

2. Sort by Fabric and Construction

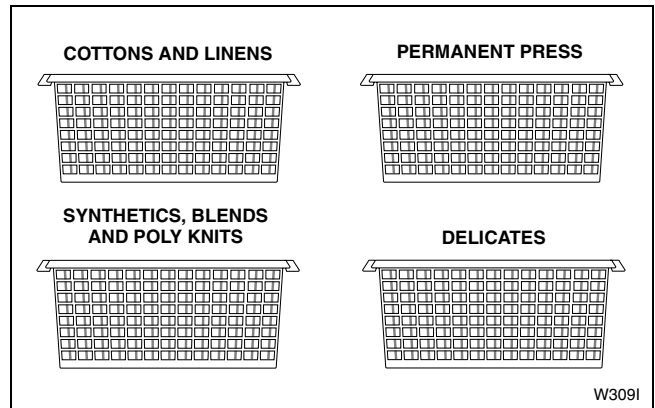


Figure 2

Use and Care

3. Sort by Care Label

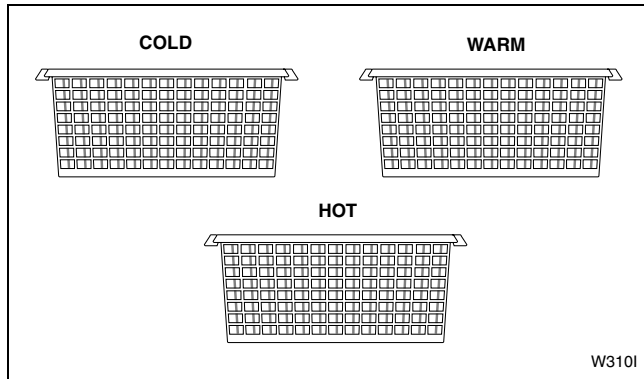


Figure 3

4. Sort By Type and Amount of Soil

Children's play clothes, as well as work clothes, will need extra treatment. Lightly soiled clothes can become dingy if washed with heavily soiled items.

5. Sort Lint "Shedders" From Lint "Receivers"

Some fabrics attract lint and should not be washed with lint-shedding loads. Lint shedders are cottons, terry towels, chenille bedspreads, rugs, and clothes which have been heavily bleached.

Lint receivers are synthetics, permanent or durable press, knits (including socks), corduroy, and other smooth fabrics.

Pretreat

Pretreat shirt collars and cuffs with a pre-wash product or liquid detergent when placing them in the washer. Before washing, treat special stains with bar soap, liquid detergent or a paste of water and granular detergent. Use a pretreat soil and stain remover.

Loading the Washer

Load Articles

Load items by the amount of space they take up, not by their weight. Mix large and small items in a load to get the best washing results.

Drop items loosely into the washtub. The bulk of the clothes rather than the weight will determine load size. Do not pack items in or wrap them around the agitator. Overloading can cause poor cleaning, excessive wrinkling, and tears.

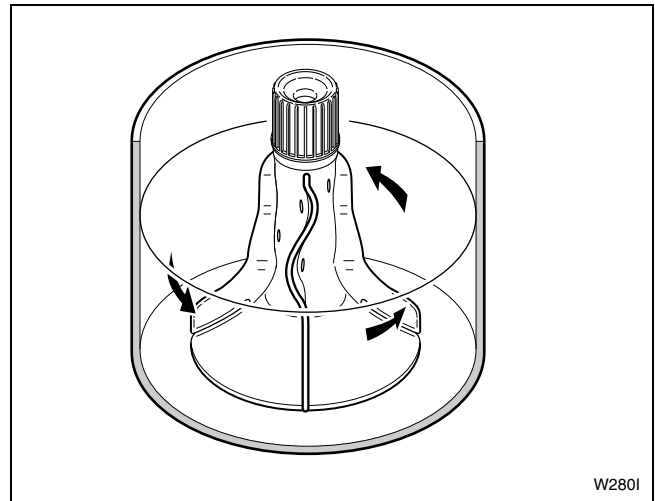


Figure 4

Items should move freely through the wash water for best cleaning results. Items should rollover, sink and then reappear.

When washing very large items, do not fill washtub as full as with other loads.

Load Sizes

Small

3-4 perm. press dress shirts
OR
1 twin sheet, 1 pillow case
OR
1-2 lightweight dresses

Medium

6-7 perm. press shirts
OR
2 twin sheets, 2 pillow cases
OR
8 standard bath towels,
6 wash cloths

Large

10-11 perm. press shirts
OR
2 full size sheets, 2 pillow cases,
2 pair men's pajamas
OR
12 standard bath towels,
4 hand towels, 4 wash cloths

Extra Large (OPTIONAL)

8-9 shirts and
5 pair polyester pants
OR
2 queen size sheets,
4 pillow cases, 2 nightgowns
1 pair men's pajamas
OR
1 queen size bedspread

Reset (OPTIONAL)

Use the RESET if agitation has started and more water is needed for the load.

Water Level

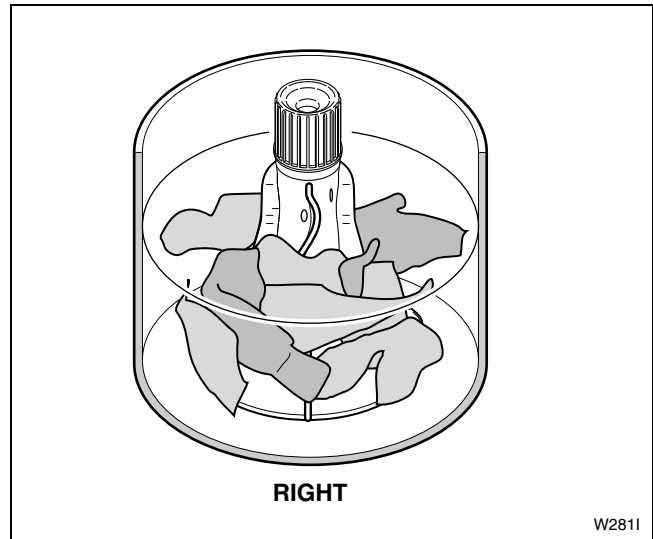


Figure 5

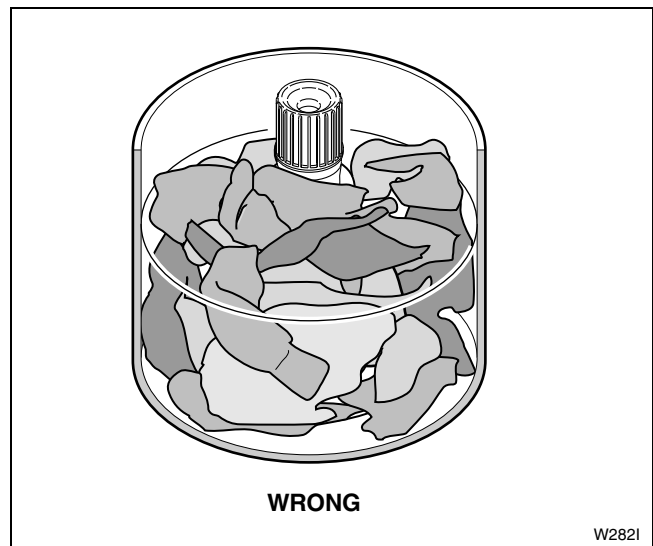


Figure 6

The water level in your washer should fit the size of your wash load. Small loads will use lower water levels. There must be enough water in the washtub to allow items to move and turn over freely.

Overloading the washtub can result in poor washing and rinsing. Overloading may also cause wrinkling and tearing of items.

IMPORTANT: If in doubt, always use a higher water level. Most average loads will require a water setting of *Large*. Failure to have the correct volume of water relative to the load will increase the incidence of excessive lint.

Water

Water Hardness

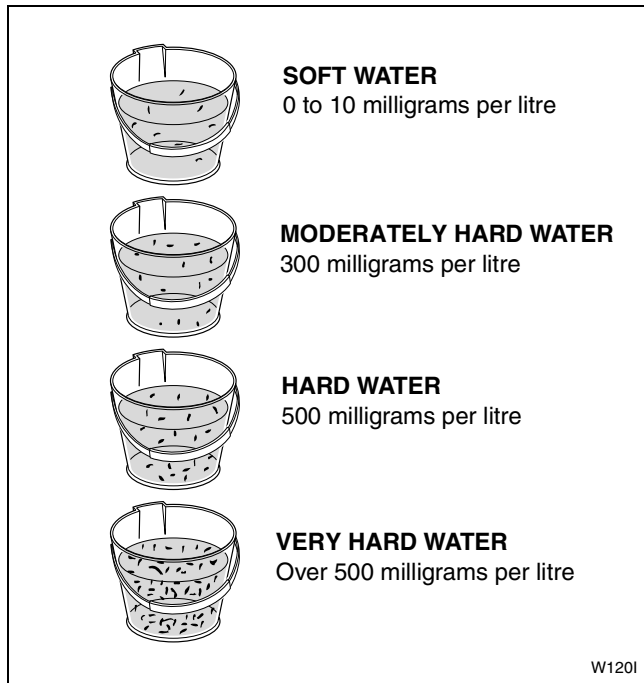


Figure 7

Water hardness is measured in grains per gallon (G.P.G.) or parts per million (P.P.M.). Hard water will not remove soil as well as soft water and can result in grey, dingy laundry. To get clothes clean in hard water, use more detergent. Do not use soap.

Hard Water May Be Softened By:

1. A mechanical water softener installed in your home.
2. The use of a packaged non-precipitating water conditioner.

Soft Water

Water should be soft enough to allow soaps and detergents to remove soil effectively. Clothes will be whiter and brighter when washed and rinsed in soft water.

Iron

If iron is present in the water, the clothes may become an all-over yellow or they may be stained with brown or orange spots or streaks. Iron is not always visible in the water.

Solutions to Iron Problems

The installation of a water softener will remove small amounts of iron from the water supply. The installation of an iron filter may be necessary for more severe cases. If the iron comes from the pipes, it may be sufficient just to let the water run into the empty washer for about one minute. This may help to clear the pipes. Spin this water out of the washtub before starting the wash.

If iron comes from the water heater, drain the heater occasionally to remove the rust.

If the Iron Condition Cannot Be Corrected

Prepare the wash water first by adding detergent (not soap), then add the clothes to the washtub. Use a phosphate detergent. The phosphate content of a detergent is listed on the package side panel.

Add a non-precipitating water conditioner to the washtub just before the rinse water enters. Do not use fabric softener in the rinse water if a packaged water conditioner is used.

Iron With Chlorine Bleach

The use of chlorine bleach with water that contains iron will make the rust discoloration worse. Use an “all fabric” bleach.

Wash Temperature

Hot Water

Hot water will give the best results of cleaning and sanitizing, but it is not suitable for all items. It is best for sturdy whites and colourfast items, heavily soiled items and nappies.

Warm Water

By using warm water, there is less chance of colour loss in items. Warm water also reduces wrinkling in permanent press items. Use with light and moderate soils, non-colourfast or dark colours, permanent press, silks, woollens, nylon, and acrylic.

Cold Water

Cold water is less effective in cleaning than hot or warm water, but it does minimize wrinkling and colour fading. Use it for washing extra-sensitive clothes and for the rinsing of all fabrics.

Energy

You can save energy when washing by following a few guidelines:

1. Heating water accounts for the greatest energy expense when washing. Save on heating water by using cold rinses.
2. Wash full loads, but do not overload.
3. Use soak cycles for heavily soiled items to reduce wash times.
4. Select a shorter wash time for lightly soiled items.

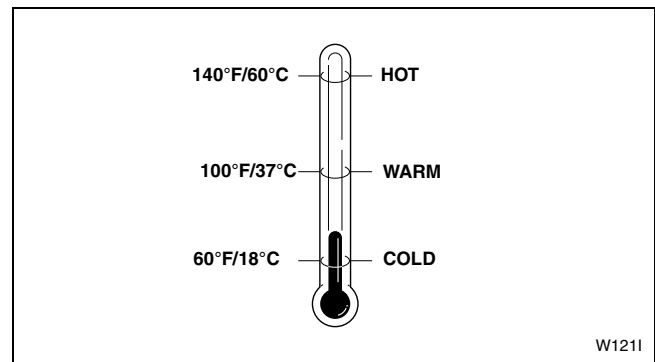


Figure 8

Laundry Tips

Laundry Aids	Use	Comments
Soak/Pretreat Products	<ul style="list-style-type: none"> • Use a soaking agent and follow steps under “Soaking” in your Operating Instructions or soak overnight to remove stains and soils. • Always follow manufacturer’s instructions with any pretreatment product. 	<ul style="list-style-type: none"> • Do not use a soaking agent with chlorine bleach. • Do not use pretreaters around the washer or dryer control panel. They may harm the finish or panel markings.
Detergents/ Soaps	<ul style="list-style-type: none"> • You may use detergent or soap in your washer. The determining factor is the hardness of the water. Always use detergent if the water is over three grains hard. 	<ul style="list-style-type: none"> • Soap and nonphosphate powdered detergents will not give good washing results in hard water. Soap in hard water will form sticky deposits. • The use of powdered soap is not recommended when washing in cold water.
Bleaches	<ul style="list-style-type: none"> • Use to remove certain stains, disinfect, and keep clothes white. • Use bleach in the wash water only. Do not use bleach in the rinse. • Follow directions on care label of garment. • Bleach should not be used as a substitute for detergent. 	<ul style="list-style-type: none"> • When using liquid chlorine bleach, always use the bleach dispenser. • Always measure the bleach. Never exceed one cup of bleach per full load. • Never use chlorine bleach and ammonia in the same wash cycle.
Fabric Softeners	<ul style="list-style-type: none"> • Use to soften clothes and remove static electricity from permanent press knits and other fabrics of man-made fibres. • Add during the rinse cycle, or if available, use the fabric softener dispenser, using no other product in the rinse. Follow bottle directions carefully. 	<ul style="list-style-type: none"> • Undiluted fabric softener poured directly on clothes can stain them. • Do not mix with detergent or bleach.
Water Conditioners Non-Precipitating Type Precipitating Type	<ul style="list-style-type: none"> • These products soften water by tying up the hardness minerals. Recommended if using soap with water over three grains hard, or when using nonphosphate detergents. • These products settle out hardness minerals by converting them into particles that will not dissolve in the water. If used with nonphosphate detergent or soap in hard water, a deposit may form on the clothes and washer parts. 	<ul style="list-style-type: none"> • Do not use with nonphosphate detergents or soaps.

Washing Temperature Guide

Water Temperature	Use	Comments
HOT (approx. 60° C)	<ul style="list-style-type: none"> • Sturdy whites and colourfast items • Work clothes • Soiled items • Nappies 	<ul style="list-style-type: none"> • Best cleaning for heavily soiled items • Best for sanitizing
WARM (approx. 37° C)	<ul style="list-style-type: none"> • Rinsing of some items (OPTIONAL) • Light and moderately soiled items • Non-colourfast or dark colours • Permanent press • Silks, woollens, nylon, acrylic 	<ul style="list-style-type: none"> • Reduces wrinkling in permanent press fabrics • Less fading • Reduces shrinking in knits
COLD (approx. 18° C)	<ul style="list-style-type: none"> • Rinsing of most items • Non-colourfast fabrics • Extra sensitive clothing 	<ul style="list-style-type: none"> • Saves energy • Reduces colour fading • Reduces wrinkling • Reduces shrinking

Use and Care

Optional Features

Bleach Dispenser

The bleach dispenser is located in the left front corner, under the loading door.

Use liquid bleach in the dispenser. Powdered bleach must not be used in the dispenser. Add powdered bleach to the wash water.

Use no more than one cup chlorine bleach for large loads, three-quarters cup for medium and one-half cup for small loads.

Carefully pour recommended amount of bleach into the dispenser during the first fill of the washer.

Be careful not to spill undiluted bleach. It is a strong chemical and can damage some fabrics if it is not properly diluted.

Fabric Softener Dispenser

To Use Dispenser

After the clothes are loaded into the washtub and before the start of the WASH cycle, pour the proper amount of liquid fabric softener into the bottle measuring cap (refer to bottle directions). Pour into dispenser.

The large fabric softener dispenser allows for the fabric softener to be diluted with water. We recommend adding water up to the fill level. Do not exceed tip of arrow, which indicates correct fill level. Over-filling can allow fabric softener to spill onto the clothes.

Setting the water level to medium or higher will result in better performance from the fabric softener.

The fabric softener will remain in the dispenser during the wash fill, agitation and spin. At the end of the wash spin, the liquid fabric softener will be dispensed into the washtub through the slots in the agitator and will be mixed with the incoming rinse water.

To Clean the Dispenser

Remove the dispenser housing from agitator by squeezing the lower part of the dispenser, pulling directly upward and at the same time tilting slightly. This will expose the dispenser cup, which is also removable for cleaning (refer to *Figure 9*). Both housing and cup can be soaked in hot soapy water and rinsed clean. The funnel shape in top of agitator and down the centre of the agitator also needs to be cleaned. The hole and the slots in the two rings will require using a small brush for proper cleaning.

After cleaning, install dispenser cup, then push dispenser housing directly downward onto top of agitator until firmly snapped together.

Use Tips

- Fabric softener spilled onto garments may cause staining. To remove, soak in a soapy solution made from Sard Wonder Soap or rub the stain with a bar of Sard, then wash.
- Liquid fabric softeners will be dispensed during the final rinse and should not be combined with bleach, bluing, starch, detergents, soaps or packaged water conditioners.
- Fabric softener is not to be used in dispenser when using Prewash cycle, if available.
- When adding detergent to wash water, do not allow any to enter into softener dispenser cup, as softener will become gummy.

To prevent softener buildup, the dispenser can be filled with clean water for automatic cleaning. This can be done in washing cycles other than when softener is used.

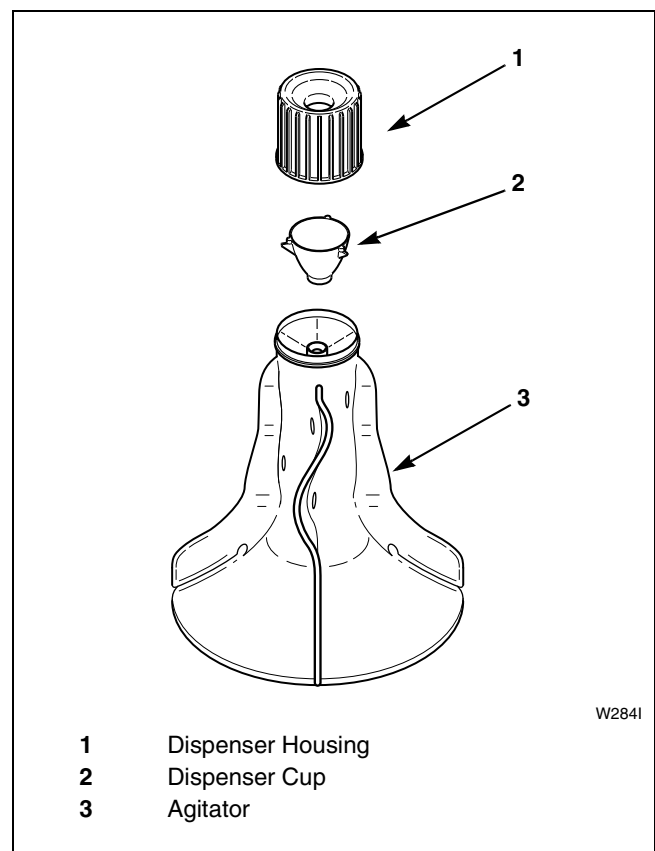


Figure 9

Special Care

Starching

Starching adds crispness and body to fabrics, enhances soil resistance, and makes ironing easier. There are several types of starches. Carefully follow label directions for spray or hand starching or starching in the washer.

Knits

A variety of knits are used for many types of clothing and household furnishings. Many knits are machine washable, some are hand washable, and some must be dry-cleaned. When buying, make sure the garment has a care label with care instructions. These directions must be followed. Some knits are stretched during their manufacture and may shrink or relax when exposed to water.

Cotton Knits

Unless the label indicates that it is preshrunk, cotton knits will probably shrink to some degree. Overdrying contributes to shrinkage of cotton knits. Wash water should be hot or warm, suitable for colour and soil. The rinse water should be cold.

Rayon Knits

Rayon stretches and shrinks easily. Treat as a delicate fabric and wash gently.

Synthetic Fibre Knits

Knits made from synthetic fibres or blends containing a high percentage of synthetics will generally keep their shape. When buying, make sure the trimmings (including belts) are machine washable, seams are not puckered, and zippers and trimmings are well fastened.

Knits of Man-Made Fibres

In general, follow the rules for permanent press fabrics as they tend to have the same characteristics. Set machine to PERMANENT PRESS/KNITS cycle. Set the wash water warm, or suitable for colour and soil. Rinse water should be cold. Do not wash with lint-shedding fabrics. Separate items for colour, washing whites separately.

Sweaters of Man-Made Fibres

Follow directions for comparable knits. Button sweaters and turn inside out. The ribbon behind the buttons and button holes may shrink. Stretch to shape after washing. Orlon sweaters may stretch. Avoid pulling them when wet. Dryer dry.

Woollens

The Delicates/Woollens cycle on your Kleenmaid is specially designed for machine washable woollens. Follow these guidelines for woollens.

- Check the care label on all garments – follow its instructions. Never wash woollens in your machine if they don't have a MACHINE WASHABLE label.
- Select the DELICATES/WOOLLENS cycle, set water level to LARGE and WASH/RINSE temperature to WARM/WARM. Don't overload – woollens (in particular) need freedom to tumble in plenty of water.
- Choose a mild detergent recommended for washing wool.
- Dry woollens by lying them flat on a towel. Ease them back into original shape and size while still wet. Avoid direct sunlight.

Delicates

The Kleenmaid Delicates/Woollens cycle pauses frequently to avoid tangling fine and delicate garments. Nonetheless, it is recommended that you take the extra care of placing your most delicate items (e.g. lace) inside a washing bag.

Use and Care

Permanent Press

Permanent or durable press garments and household items will usually not need pressing when washed and dried properly. However, some will be more wrinkle resistant than others.

The care needed for permanent press is a little different than for cottons. Permanent press garments will soften or become pliable when heated. This softening when it is in warm or hot wash water will allow wear wrinkles to be removed. It will also cause the fabric to wrinkle if it is crushed, squeezed or spun when hot.

Permanent press cycles of washers, when washer controls are properly set, will cool the clothes before the wash spin to avoid wrinkling.

How to Wash Permanent Press

1. Wash often. Permanent press clothes tend to look clean even when they should be washed.
2. Sort loads correctly (refer to *Before Washing* section).
3. Do not wash with lint-shedding loads. Permanent press attracts lint in the wash water.
4. Pre-treat grease stains and oily areas. This is especially important for shirt collars and cuffs. Rub liquid detergent or a paste of detergent into the area.
5. Use the PERMANENT PRESS/KNITS cycle, hot or warm water, cold rinse, and sufficient detergent.
6. Use fabric softener in the rinse water. This will reduce the static electricity which attracts lint and makes garments cling.

To Dry Permanent Press

For best results, permanent press should be dryer dried. Refer to garment care labels. Ironing may be necessary. Use low heat setting on iron or steam setting on a steam iron.

Washing Special Items

NOTE: Always follow manufacturer's care label instructions.

Bedding	<ul style="list-style-type: none"> • Warm wash and warm rinse if available. • PERMANENT PRESS/KNITS cycle. • Pretreat heavily soiled areas before washing. • When washing an electric blanket, protect the plug by stitching the edge of the blanket over the plug. Only dry in the dryer if manufacturer says it can be done.
Nappies	<ul style="list-style-type: none"> • Rinse out nappies immediately in cold water and soak in a nappies pail with a small amount of detergent or enzyme presoak. Soak before washing. • Limit wash load to two dozen nappies. • Recommend an all-purpose detergent.
Draperies, Curtains, Slip Covers	<ul style="list-style-type: none"> • Shake to remove dust. Remove hooks and close zippers. • Do not wash sun-damaged draperies and curtains. They will not withstand washing. • Use warm water. • Wash curtains frequently. They can be weakened from soil, fumes, dust and the sun. • Fibreglass curtains need gentle care. Read care label to see if washable. Some fibreglass curtains should be hand washed.
Pillows (Feather and Down)	<ul style="list-style-type: none"> • Do not wash pillows unless they can be dried in the dryer. They may mildew if not dried completely. • Wash two pillows at a time or add towels for balance. • Use warm wash and detergent.
Rugs	<ul style="list-style-type: none"> • Shake before washing. Do not use hot water on rubber-backed rugs. • Wash two or three rugs to balance the washer. • Fabric softener in the rinse will help eliminate static.
Slips and Nightgowns	<ul style="list-style-type: none"> • Wash often using all-purpose detergent, warm or hot water and cold rinse on the PERMANENT PRESS/KNITS cycle. • To keep nylons and polyesters white, wash only with whites and use chlorine bleach occasionally. • Use fabric softener in the rinse to remove static electricity.

Use and Care

Washing Concerns

To keep clothes looking white or bright and to prevent a gradual build-up of soil or water hardness minerals on them, use proper washing practices at all times. If you notice that your clothes are not as bright as they should be, take corrective measures immediately.

Problem	Cause	Solution
Grey or Dingy Clothes	Insufficient Detergent	Add more detergent to washtub before loading clothes. Mild detergents are not suitable for average soil.
	Improper Sorting	Wash whites separately. Separate light from heavily soiled items. Clothes can pick up soil from dirty wash water.
	Non-phosphate Detergent and Hard Water	Follow package directions. Soften water if possible.
	Water Not Hot Enough	White clothes will stay whiter with hot wash water. Increase temperature.
	Overcrowding Washer	Clothes must circulate freely through the water for best results.
Yellowed Clothes	Unremoved Soil	Skin soil is hard to remove. Check hem edge of sheets and pillowcases, bottom end of t-shirts, etc. If this portion is white and centre is yellow, the fabric contains unremoved soil. Use sufficient detergent and a hot wash. Chlorine bleach may be needed.
	Clothes Stained From Iron in the Water	To test if an iron stain, use a rust remover on a portion of the garment. Follow bottle directions for larger items.
	Older Clothes	Some white fabrics turn yellow with age and cannot be whitened.
Clothes Tearing or Damaged	Improper Use of Chlorine Bleach	No correction for bleach damaged clothes. Always measure and dilute bleach.
	Overcrowding or Overloading	Make sure all items can move freely during agitation.
	Insufficient Precare	Fasten all hooks and zippers. Mend tears. Remove objects from pockets.
Excessive Lint	Improper Sorting	Fabrics which shed lint should not be washed with fabrics that receive lint.
	Insufficient Detergent/ Non-Phosphate Detergent	Use enough detergent so lint remains suspended in water and flushed out.
	Mixing Fabric Types	Knits and Permanent Press attract lint. Wash these only with similar items. Use fabric softener in rinse water.
	Insufficient Water Level	Select proper/higher water level for size of washload.

Stain Removal

Many soils will not become stains if treated promptly. Older stains may be difficult or impossible to remove. Hot water will set some stains, particularly protein based stains. Use cold or warm water on these before washing in hot water.



WARNING

Never put highly flammable substances like gasoline, kerosene, waxes, cooking oils, dry-cleaning solvents, etc. into a washer or dryer. Never put articles that have been cleaned with such substances into a washer or dryer. Failure to comply with these warnings could result in a fire, explosion, and/or serious burns or death. All items with these substances on them should be thoroughly hand-washed with a detergent so that no trace of the flammable substances remains. The articles can then be machine washed and/or dried.

When using any kind of a dry-cleaning fluid, follow the manufacturer's recommendations. The fumes should never be inhaled. Use in a well ventilated room away from sparks and flames. Air dry before washing or drying. Dry-cleaning fluid may cause a "ring" to be formed on some permanent press fabrics. This will not wash out. To remove, clean the garment in a coin-operated dry-cleaning unit, or by a professional dry-cleaner.

W024E

Stain	Treatment
Adhesive Tape	Place face down on paper towels and sponge with a dry-cleaning solvent (refer to WARNING above). Launder.
Airplane Glue	Place face down on paper towels and sponge with fingernail polish remover until stain dissolves. Launder.
Alcoholic Beverages	Sponge stain immediately with cold water or soak stain 30 minutes in cold water. Apply detergent to any trace of stain while still wet. If safe for the fabric, launder in hot water using chlorine bleach.
Blood	Treat stain immediately. Soak 30 minutes or more in cold water. Rub detergent into stain. If stain persists, place a small amount of household ammonia on the stain and rub again with detergent. If safe for fabric, launder in hot water and chlorine bleach if traces of the stain persist.
Candlewax	Rub with ice and scrape off excess wax. Place stain between paper towels and press with warm iron. Then place stain face down on paper towels and sponge with dry-cleaning solvent (refer to WARNING above). Let dry, launder. If traces of colour remain, launder with a commercial colour remover (Rit, Putnam, etc.) or if safe for the fabric, hot water and chlorine bleach.
Catsup, Tomato-Based Products	Scrape off excess. Soak in cold water 30 minutes. Rub detergent into the stain and if safe for fabric, launder in hot water and chlorine bleach.
Chewing Gum	Rub with ice and scrape off excess gum. Place face down on paper towels and sponge with a dry-cleaning solvent.
Cocoa or Chocolate	Soak in cold water. Rub detergent into stain, rinse. If greasy stain remains, sponge face down on paper towels with a dry-cleaning solvent. If traces of the stain remain, launder in hot water and chlorine bleach (if safe for fabric).

Use and Care

Stain	Treatment
Coffee, Tea	Soak in cold water. Rub detergent into stain, rinse. If traces of the stain remain, launder in hot water with chlorine bleach (if safe for fabric).
Crayon	Treat the same as candle wax or wash in hot water (if safe for fabric) using soap (not a detergent) and 1-2 cups baking soda. If stains remain, professional dry-cleaning may be necessary.
Deodorants and Anti-Perspirants	Some of these products contain substances that can change the colour of some dyes. The colour can sometimes be restored if the area is sponged with ammonia then rinsed. To remove stains, apply white vinegar. Rub and rinse. If stains remain, rub detergent into stain and launder with hot water and chlorine bleach (if safe for fabric).
Dye	Treat with a commercial dye remover (Rit, Putnam) or if safe for fabric, bleach with chlorine bleach.
Egg	If dried, scrape off excess. Soak in cold water. Rub detergent into damp stain and if safe for fabric, launder in hot water and chlorine bleach.
Fabric Softener	Dampen stain and rub with bar soap. Launder as usual.
Fruit Juices	Soak in cold water. Launder in hot water with chlorine bleach (if safe for fabric).
Grease, Oil	Place face down on paper towel and sponge with dry-cleaning fluid (refer to WARNING on previous page). Dampen stain with water and rub with bar soap or detergent. Launder in hot water (if safe for fabric).
Ink	Saturate the stain with hair spray or place the fabric face down on paper towel and sponge with cleaning fluid or rubbing alcohol (refer to WARNING on previous page). Rinse. If traces of the stain remain, rub detergent into the dampened stain and launder. Some inks may be impossible to remove.
Iodine	Rinse from the back side of the stain with cold water. Then soak in a commercial colour remover (Rit, Putnam, etc.) or rub in a paste of water and starch. Let stand for 15-30 minutes and launder.
Lipstick	Place on paper towel and sponge with cleaning fluid (refer to WARNING on previous page). Rinse. Rub dampened stain with bar soap and launder.
Mildew	Treat promptly. Mildew damages fabric and sometimes cannot be removed. Launder with chlorine bleach. For items that cannot be washed with chlorine bleach, soak in an all-fabric bleach, then launder.
Milk and Milk Products	Soak in cold water. Launder in hot water and chlorine bleach (if safe for fabric). Sponge with a cleaning fluid (refer to WARNING on previous page), if a stain is noticeable. Rewash.
Miscellaneous Eye and Face Make-up, Tar, Gravy, Felt-Tip Marker, Pitch, Typewriter Ribbon	Place stain side down on paper towel and sponge with dry-cleaning fluid (refer to WARNING on previous page). Apply dry spotter (one part mineral water and eight parts dry-cleaning solvent). Tap on the stain with a spoon to loosen it. Keep stain moist with dry spotter and blot occasionally with toweling. Continue until stain is removed. Allow to dry completely, rinse in warm water, and launder as usual.
Mud	Scrape off excess. Soak in solution of one quart warm water, half teaspoon liquid hand dishwashing detergent and one tablespoon vinegar for 15 minutes. Rinse. Launder in hot or warm water with enzyme product.
Mustard	Rub dampened stain with bar soap. Launder in hot water and chlorine bleach (if safe for fabric).

Stain	Treatment
Nail Polish	Place face down on paper towel. Sponge with nail polish remover (non-oily) until stain disappears. Launder. Do not use nail polish remover on Acetate or Arnel fabrics.
Paint	Water-based – Treat by rinsing fabric in cool water while stains are still wet. Then launder. Dried paint cannot be removed. Oil-based – Pretreat with a solvent recommended on the paint container. If not available, use mineral spirits. Rinse. Pretreat with a stain remover or detergent, rinse and launder.
Perspiration	Rub dampened stain with detergent. Launder in hot water and chlorine bleach (if safe for fabric). If the fabric is discoloured, you can try to restore it by treating fresh stains with ammonia or old stains with vinegar.
Rust	Apply a commercial rust remover (Whink, Rit, RoVer, etc.) Follow manufacturer’s directions and launder as usual.
Scorching	Launder using hot water and chlorine bleach (if safe for fabric). Fabrics can be damaged by being scorched. If this has happened, you may not be able to remove the marks.
Shoe Polish	Rub dampened stain with detergent. Launder in hot water and chlorine bleach if safe for fabric.
Soft Drinks	Rinse stain with cold water immediately. Launder in warm water and chlorine bleach if safe for fabric.
Tobacco	Dampen stain and rub with bar soap. Rinse. If necessary, soak in an all-fabric bleach solution. If stain remains, launder with chlorine bleach (if safe for fabric).
Urine	Rinse with cold water. Soak with an enzyme soaking product. Launder in hot water with chlorine bleach (if safe for fabric). If the colour of the fabric has changed, sponging the area with ammonia may restore the colour.
Vomit	Soak in a solution of one quart warm water, half teaspoon liquid hand dishwashing detergent, and one tablespoon ammonia (if safe for fabric). Soak 15 minutes. Use sponge to loosen stain. Blot with toweling. Launder in hot water (if safe for fabric) with an enzyme product.

Maintenance

Washer Maintenance

Cold Weather Care

If the washer is delivered on a cold day (below freezing), or is stored in an unheated room or area during the cold months, do not attempt to operate it until the washer has had a chance to warm up.

Care of Your Washer

Use only a damp or sudsy cloth for cleaning the control panel. Some spray prewash products may harm the finish on the control panel.

Wipe the washer cabinet as needed. If detergent, bleach or other washing products are spilled on the cabinet, wipe immediately. Some products will cause permanent damage if spilled on the cabinet.

Do not use scouring pads or abrasive cleansers.

The washtub will need no particular care though it may need rinsing or wiping after an unusual load has been washed. This also may be necessary if too little detergent has been used.

Leave the loading door open to allow the inside of the washer to dry out after use. This helps prevent musty odors from developing.

Replacing Hoses

Hoses and other natural rubber parts deteriorate after extended use. Hoses may develop cracks, blisters or material wear from the temperature and constant high pressure they are subjected to.

All hoses should be checked on a yearly basis for any visible signs of deterioration. Any hose showing the signs of deterioration listed above should be replaced immediately. All hoses should be replaced every 8 to 10 years.

Vacations and Extended Non-Use

IMPORTANT: To avoid possible property damage due to flooding, turn off the water supply to the washer whenever there will be an extended period of non-use.

Reinstallation of Shipping Materials

Shipping Brace

The shipping brace in the lid opening should be **saved** and reinstalled whenever the washer is moved. To reinstall the brace, open the washer lid and place the brace over the washer agitator, placing the back of the brace into the washtub first.

Shipping Plug

The plastic shipping plug should be saved and reinstalled any time the washer is moved. The plug fits into two openings: The base opening and the shipping plug opening on the bottom of the mobile pivot dome. The plug **MUST** be inserted into both openings to prevent damage to the washer. In order to accomplish this, the shipping plug opening must be directly lined up with the base opening. Refer to *Figure 10*.

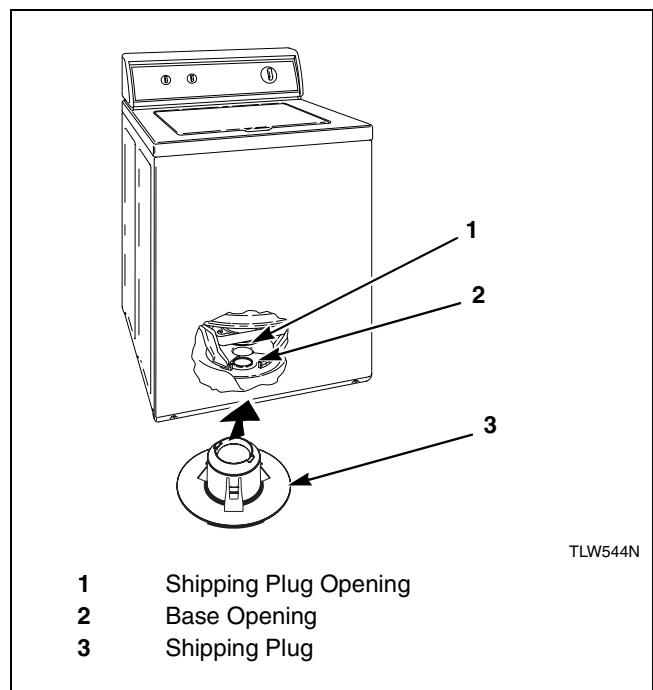


Figure 10

Motor Overload Protector

This internal overload protector will stop the motor automatically in the event of an overload. The overload protector will reset itself in two or three minutes and the motor will restart automatically. If the overload protector stops the motor again, remove the washer from use and call the service person to correct the problem.

Maintenance

Before You Call for Service

You may save time and money by checking the following:

If the Washer:


Won't Fill	Won't Start	Won't Spin	Won't Drain	Possible Reason – Do This to Correct
•	•	•	•	Be sure power cord is plugged all the way into the electrical outlet.
	•	•	•	Close the loading door.
•	•	•	•	Check the house fuse or circuit breaker.
	•	•	•	Has the motor overload protector cycled?
•				Turn on the hot and cold water taps.
•	•	•	•	Pull timer knob out to start the washer.
•				Was the last spin completed?
•				Clean the filter screens located at the faucet end of the inlet hoses. Owner is responsible for service calls regarding cleaning of the screens.
•				Water is siphoned from the washer during the cycle. Refer to the INSTALLATION INSTRUCTIONS supplied with the washer.
•	•			Are controls properly set?
		•	•	Broken drive belt. Call the service person.
			•	Has the machine been installed correctly? Refer to INSTALLATION INSTRUCTIONS.

If Service Is Required

If service is required, contact Kleenmaid Customer Care Centre on 1300 652 100.

Kleenmaid
P.O. Box 5560
Maroochydore South QLD 4558
or phone 1300 652 100

When calling or writing about your washer, PLEASE GIVE THE MODEL AND SERIAL NUMBERS. The model and serial numbers are located on the nameplate. The nameplate will be in the location shown in *Figure 11*. Please include a copy of your bill of sale and any service receipts you have.

	WARNING
<p>To reduce the risk of serious injury or death, DO NOT repair or replace any part of the washer or attempt any servicing unless specifically recommended in the user-maintenance instructions or in published user-repair instructions that you understand and have the skills to carry out.</p>	
<small>W025E</small>	

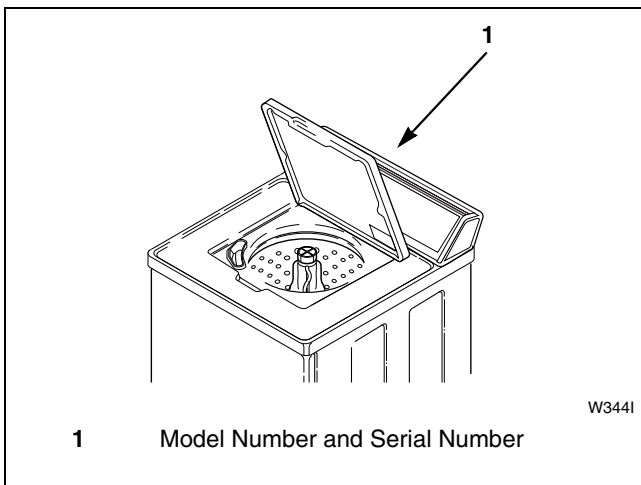


Figure 11

Automatic Washer Warranty

Domestic Warranty

Full Five Year Warranty

In addition to all statutory rights which you, the Consumer, have under all the relevant laws in respect of this appliance, during the first five years of ownership as the original purchaser of the Kleenmaid washing machine, we guarantee that any fault caused by faulty material or workmanship, becoming apparent will be rectified free of charge for parts or labour provided that all service is performed during normal working hours by Kleenmaid or their designated agent. Where the washing machine is installed outside the normal servicing area of the above, the Purchaser must pay the cost of transporting the appliance to and from the Agent or the Agent's traveling cost to and from the Purchaser's home.

Additional Limited Parts Warranty

We will provide a free replacement gearbox should it fail as a result of a defect in material or workmanship during the first 10 years. After the first five years, the Purchaser pays any transport or labour charges,

We will replace the stainless steel tub if it fails as a result of a defect in material or workmanship during the first 20 years. After the first five years, the Purchaser pays any transport or labour charges.

Commercial Warranty

Full One Year Warranty

In addition to all statutory rights which you, the Consumer, have under all the relevant laws in respect of this appliance, during your first one year of ownership as the purchaser of the Kleenmaid washing machine, we guarantee that any fault caused by faulty material or workmanship becoming apparent will be rectified free of charge for parts or labour provided that all service is performed during normal working hours by Kleenmaid or their designated Agent. Where the washing machine is installed outside the normal servicing area of the above, the Purchaser must pay the cost of transporting the appliance to and from the Agent or the Agent's traveling cost to and from the Purchaser's home.

Additional Limited Parts Warranty

We will provide a free replacement part should any of the washer cabinet parts (including the top hob, loading lid, and base) rust from the inside out, during the first two years of use. After the first one year, the Purchaser pays any transport or labour charges.

We will provide a free replacement gearbox should it fail as a result of a defect in material or workmanship during the first five years. After the first one year, the Purchaser pays any transport or labour charges.

We will replace the stainless steel tub if it fails as a result of a defect in material or workmanship during the first 10 years. After the first year, the Purchaser pays any transport or labour charges.

What These Warranties Do Not Cover

We are not responsible for any damage or malfunction unless caused by a defect in material or workmanship. This includes, but is not limited to, abuse, misuse, improper installation, and transportation damage. We are not responsible for any consequential damages resulting from any malfunction.

Easy Steps to Saving Water

Kleenmaid Water Conservation Tips

At Kleenmaid we work hard at ensuring our products use as little as possible of the world's natural resources. Our energy ratings for many of our products are amongst the best available. Our washing machines are no exception to this philosophy being the most economical user of water in the greater than 7kg capacity washers in the market.

For our valued customers, who are conscious of water reuse or who live in areas where water can become scarce, we have the following hints for further water preservation.

How to Save Suds on Normal Cycle

1. Place outlet hose in the laundry tub. Make sure the plug is in.
2. Select washing programme, then pull control knob out. Allow machine to go through wash portion of programme. (Cannot be used on Permanent Press or Delicate Cycles.)
3. As wash water drains, the laundry tub will nearly fill with the wash water, turn the washing machine off. Place outlet hose in the laundry tub by-pass hole or a similar drain hole to remove excess water.

How to Return Suds

1. Ensure tip of the outlet hose remains at the base of the laundry tub.
2. Select washing programme, then pull control knob out and allow washing machine to fill for 30 seconds.
3. Turn the timer to spin location, pull control knob out to start machine for a few seconds and then push knob in to stop. This will start the machine to siphon the water from the laundry tub, back through outlet hose into the washing machine.
4. Once an equilibrium has been reached, the water will stop siphoning back into the washing machine.

NOTE: Return the outlet hose to the by-pass unless you want to save water again.

5. Turn timer to wash cycle to fill with additional water and commence next wash programme.

How to Save Rinse Water for the Garden

1. Place outlet hose in laundry tub by-pass.
2. Select washing programme, then pull control knob out.
3. To use rinse water, stop machine before final drain, insert outlet hose into a tube which has a diameter larger than the outlet hose (32 mm or greater of clear/flexible PVC tubing*). Continue cycle and drain water out to garden.

* If you want to create an air tight connection, you should purchase a Siphon Break Kit from Kleenmaid Spare Parts – Part #KS562P3, which prevents siphoning.

How to Obtain Additional Information

If you would like further information in relation to your water saving needs and the above hints, please do not hesitate to contact one of our Customer Service Consultants on 1300 652 100.

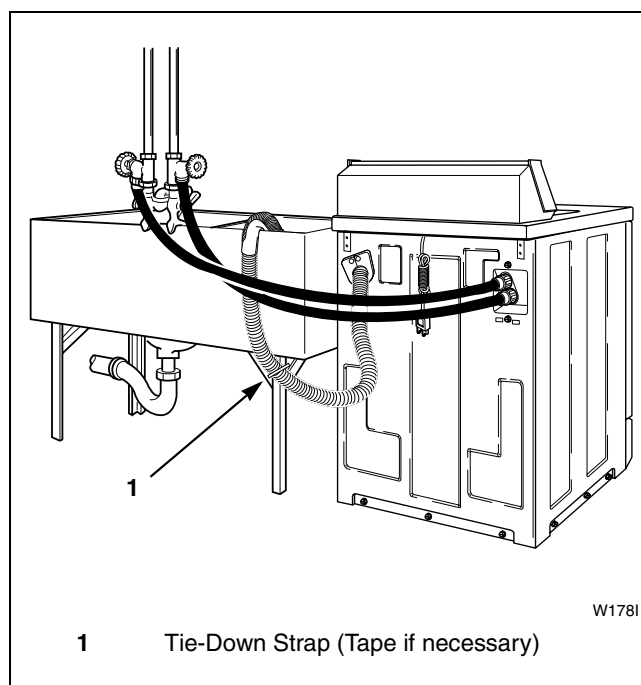


Figure 12

Maintenance

Information for Handy Reference

**Kleenmaid
P.O. Box 5560
Maroochydore South QLD 4558**

Date Purchased _____

Model Number _____ Serial Number _____

Store Name _____

Store Address _____ Phone Number _____

Service Agency _____

Service Agency Address _____ Phone Number _____

NOTE: Record the above information and keep your sales slip. Model and serial numbers are located on the nameplate.

Customer Care Centre and Information:

1300 652 100