

Installation Instructions

Home Laundry Automatic Clothes Washers



Keep These Instructions for Future Reference.

(If the washer changes ownership, be sure this manual accompanies the washer.)

Table of Contents

Replacement Parts	1
Roughing In Dimensions	2
Before You Start	
Tools	2
Electrical	2
Water	2
Installing the Washer	
Step 1 Remove the Shipping Brace and Shipping Plug	3
Step 2 Wipe Out Inside of Washtub	3
Step 3 Connect Water Inlet Hoses	4
Step 4 Connect Drain Hose to Drain Receptacle	5
Step 5 Position and Level the Washer	8
Step 6 Plug In the Washer	8
Step 7 Add Water to the Washer	9
Step 8 Check Lid Switch	9
Step 9 Check Installation	9
Electrical Requirements	10
Earthing Instructions	10
Water Supply Requirements	11
Water Temperature	11
Water Pressure	12
Risers	12
Installer Checklist	Back Cover

Replacement Parts

If replacement parts are required, contact the source from where you purchased your washer or contact

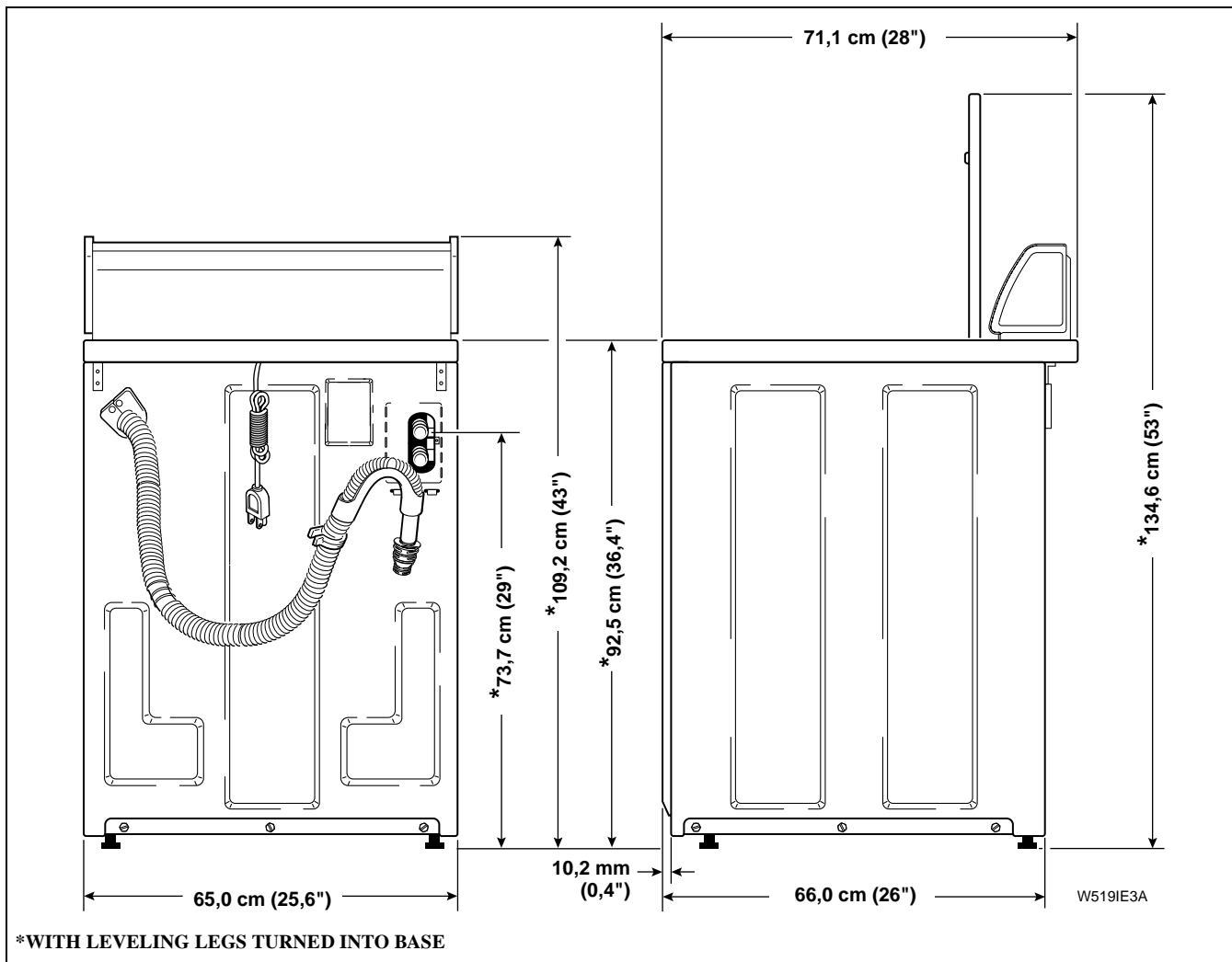
Alliance Laundry Systems LLC
Shepard Street
P. O. Box 990
Ripon, WI 54971-0990
Phone: (920) 748-3950

for the name and address of the nearest authorized parts distributor.

© Copyright 1999, Alliance Laundry Systems LLC

All rights reserved. No part of the contents of this book may be reproduced or transmitted in any form or by any means without the expressed written consent of the publisher.

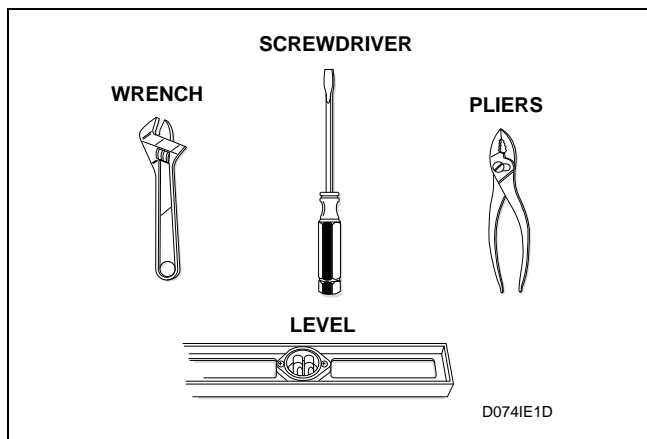
Roughing In Dimensions



Before You Start

Tools

For most installations, the basic tools you will need are:



Electrical

Refer to Serial Plate for specific electrical requirements. For more detailed information refer to section on *Electrical Requirements*.

Water

Washer needs two standard 19,05 mm (3/4 inch) water supply faucets with a pressure between 138 to 827 kPa per square inch (20 – 120 pounds per square inch). For more detailed information refer to section on *Water Supply Requirements*.

Installing the Washer

Step 1:

Remove the Shipping Brace and Shipping Plug

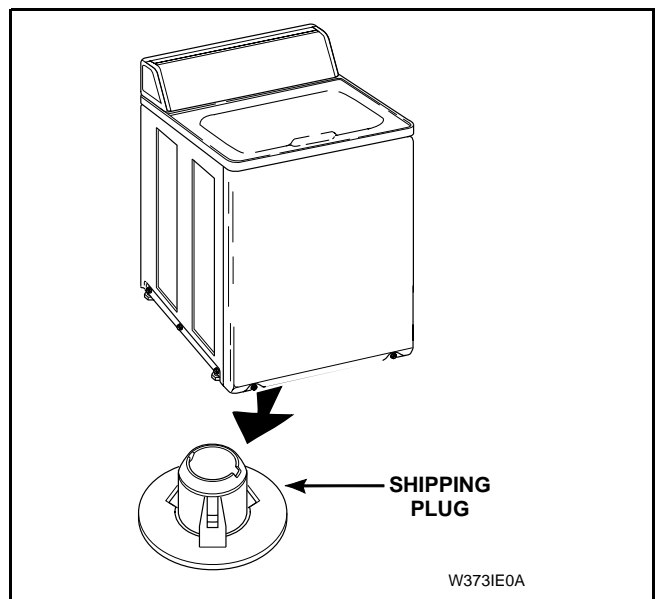
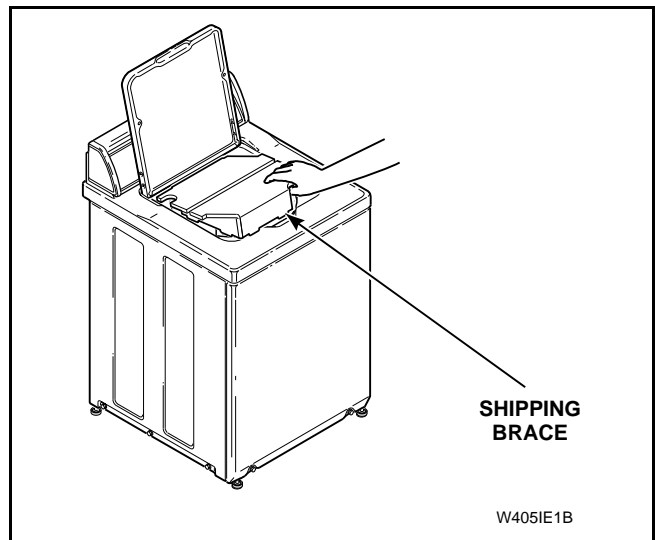
NOTE: Install dryer before washer. This allows room for attaching exhaust duct.

Remove the shipping brace from under the lid. The plastic shipping plug will be released from the base of the washer when removing the cardboard base from the washer.

NOTE: Do not tilt washer to front or sides when moving.

The shipping brace and plug should be saved and must be reinstalled whenever washer is moved or transported to a new location. This will prevent damage to washer components.

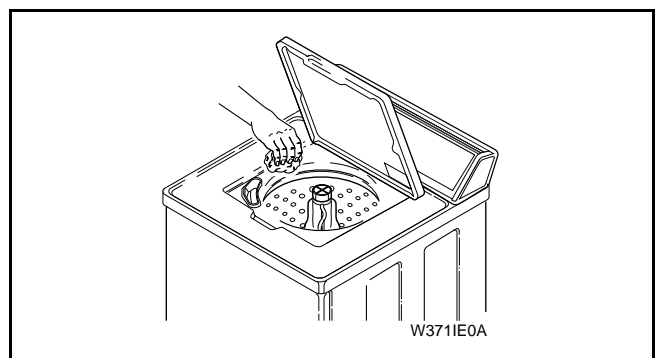
NOTE: See your Use and Care Guide for instructions on reinstalling shipping brace and shipping plug.



Step 2:

Wipe Out Inside of Washtub

Prior to first wash, use an all purpose cleaner or a detergent and water solution and a damp cloth to remove shipping dust from inside of washtub.



Installing the Washer

Step 3:

Connect Water Inlet Hoses

NOTE: Refer to Section on *Water Supply Requirements* before connecting water inlet hoses.

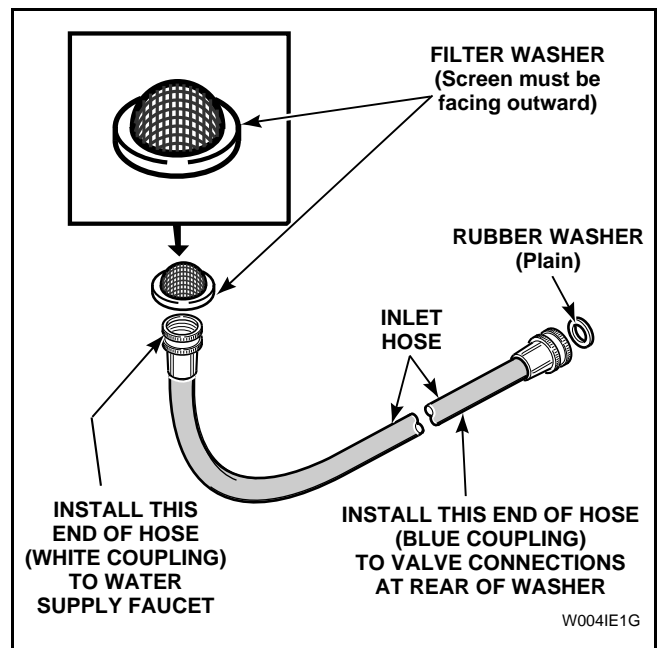
Remove the two screened filter washers and the two plain rubber washers from accessories bag, and install them according to the illustration.

Turn on the water supply faucets and flush the lines for approximately two minutes to remove any foreign materials that could clog the filter screens in the inlet hoses, or the screens in the water mixing valve.

NOTE: When installing in newly constructed or renovated building, it is very important to flush the lines since build-up may have occurred during construction.

IMPORTANT: Thread hose couplings onto valve connections **finger-tight**, then approximately 1/4 turn with pliers. **DO NOT** cross thread or overtighten couplings.

Turn water on and check for leaks. If leaks are found, retighten the hose couplings. Continue tightening and rechecking until no leaks are found.



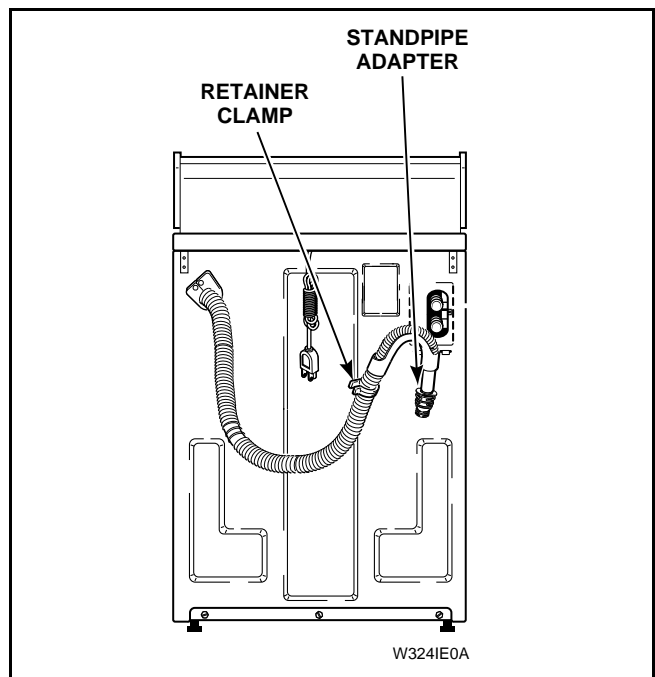
Step 4:

Connect Drain Hose to Drain Receptacle

Remove the drain hose from its shipping position on the rear of the washer by unhooking the hose from the retainer clamp.

Find the instructions, on the following pages, that are appropriate for your type of drain receptacle (standpipe, high standpipe, low standpipe, sink, wall, or laundry tub). Follow these instructions to properly install the drain hose.

IMPORTANT: Drain receptacle must be capable of handling a minimum of 32 cm (1-1/4 inch) outside diameter drain hose.

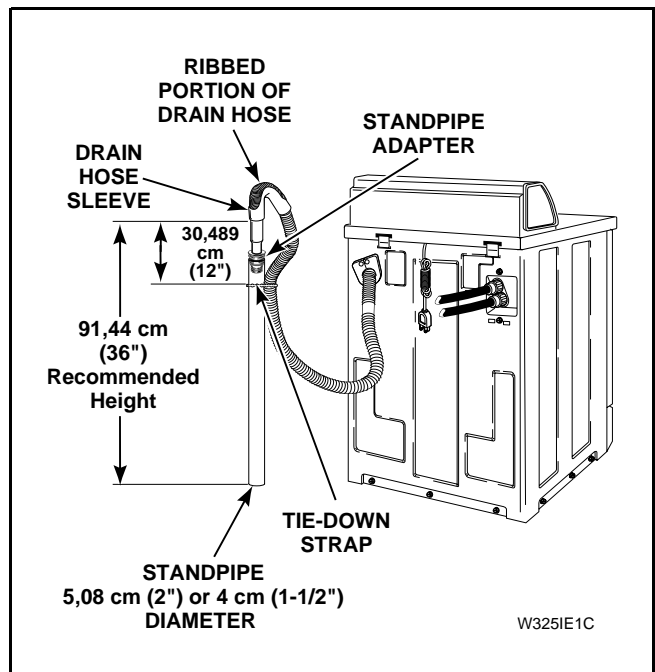


Standpipe Installation:

Place the adapter into the standpipe.

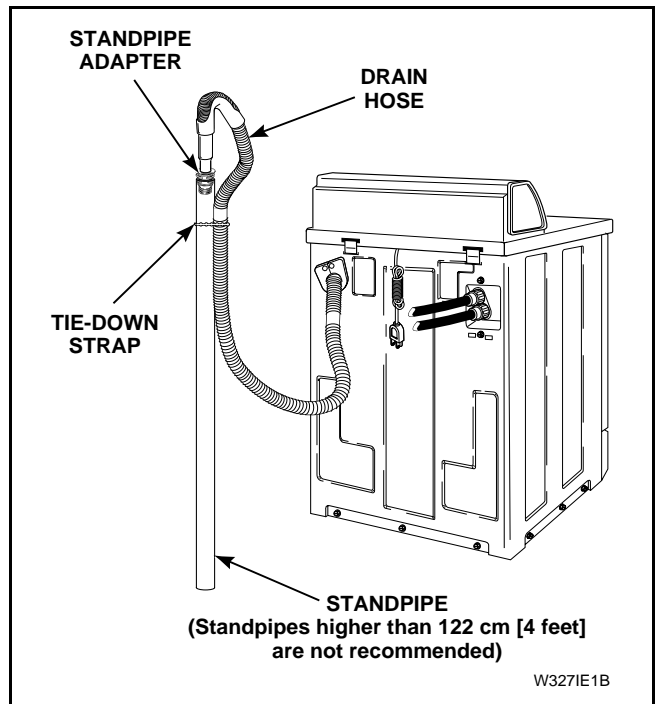
Remove the beaded tie-down strap from accessories bag and place around standpipe and drain hose, approximately 30 cm (12 inches) down from the top of pipe and tighten strap to hold hose to standpipe. This will prevent the drain hose from dislodging from drain receptacle during use.

IMPORTANT: To prevent siphoning, do not place any ribbed portion of the drain hose into the standpipe.



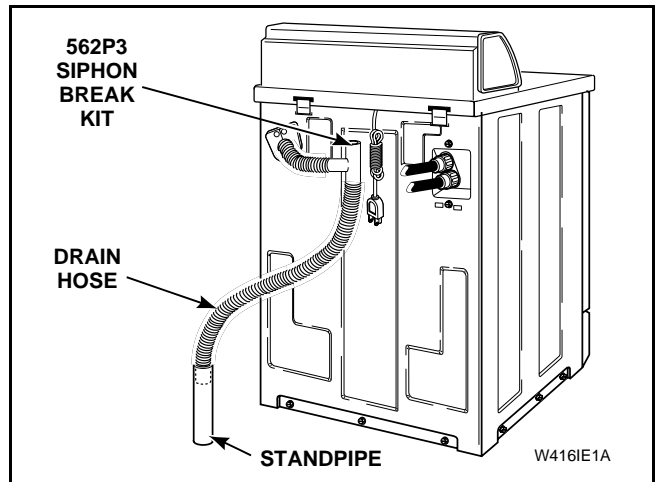
High Standpipe Installation:

Place the adapter into the standpipe. Remove the beaded tie-down strap from accessories bag and place around standpipe and drain hose, approximately 30 cm (12 inches) down from the top of pipe and tighten strap to hold hose to standpipe. This will prevent the drain hose from dislodging from drain receptacle during use.



Low Standpipe Installation:

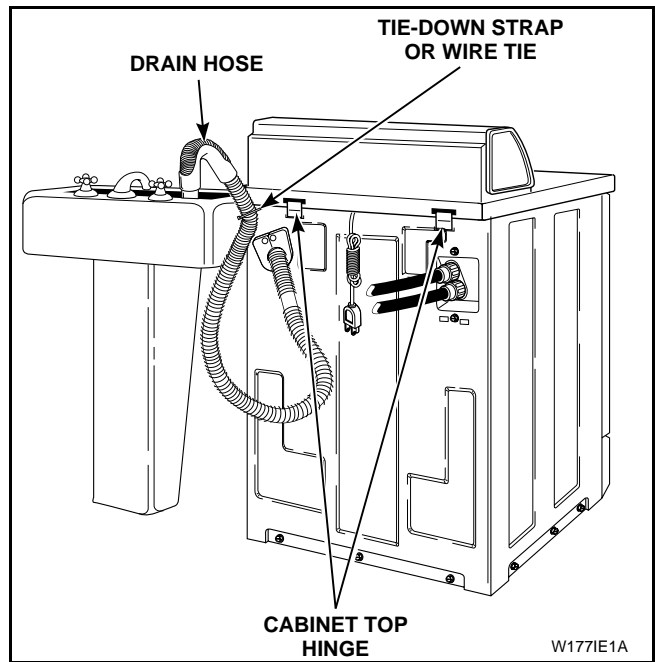
No. 562P3 Siphon Break Kit is required for this type of installation. This kit is available (as optional equipment at extra cost) through an authorized dealer or parts distributor. Installation instructions are supplied with the kit.



Sink Installation:

For this type of installation, use the beaded tie-down strap (supplied in accessories bag), or use a large wire tie (available from your local hardware store) and secure the drain hose to the cabinet top hinge. See illustration. This will prevent the drain hose from dislodging during use.

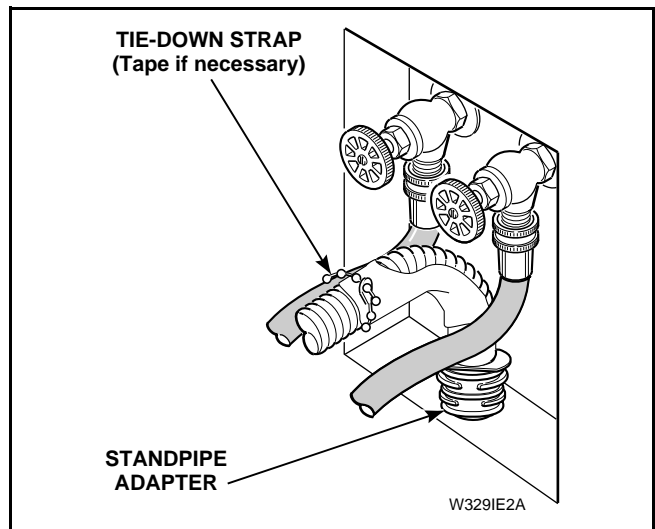
We recommend leaving the standpipe adapter on the drain hose for this type installation.



In the Wall Installation:

For installations of this type, the drain hose **MUST** be secured to one of the inlet hoses using the beaded tie-down strap from accessories bag.

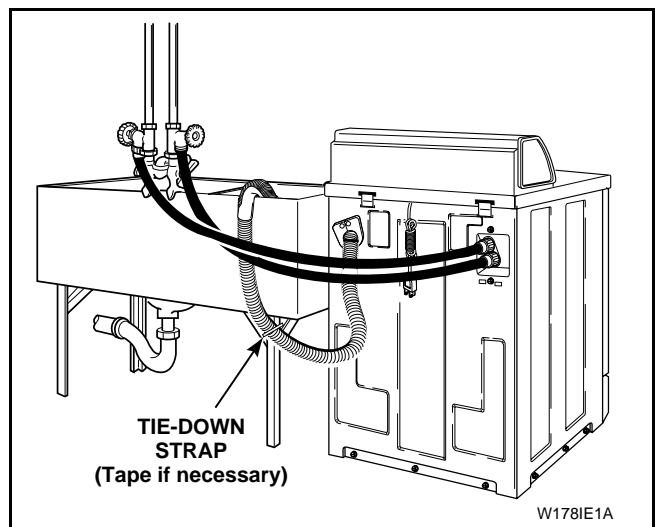
NOTE: End of drain hose must not be below height of cabinet top.



Laundry Tub Installation:

For this type of installation, the drain hose **MUST** be secured to the stationary tub to prevent hose from dislodging during use. Use the beaded tie-down strap (supplied in accessories bag) to secure hose.

We recommend leaving the standpipe adapter on the drain hose for this type installation.



Installing the Washer

Step 5:

Position and Level the Washer

Place rubber feet on all four leveling legs.

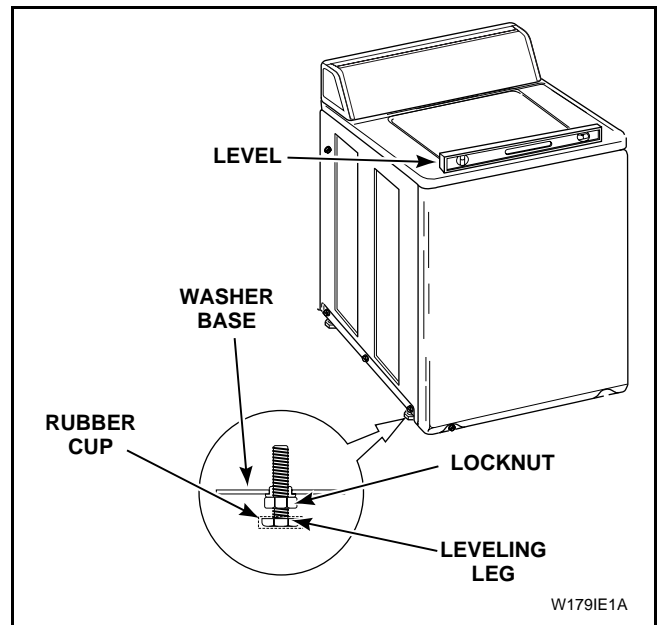
Place washer in position on a clean, dry, and reasonably firm floor. Installing the washer on any type of carpeting is not recommended.

Loosen 7/8" locknuts and adjust the two front leveling legs. Once adjusted, tilt the unit forward on front legs and lower back down into position to set the rear self-leveling legs.

Washer must not rock. After washer is at desired height, tighten locknuts securely against bottom of washer base. If these locknuts are not tight, washer will not remain stationary during operation.

Improper installation or flexing of a weak floor will cause excessive vibration.

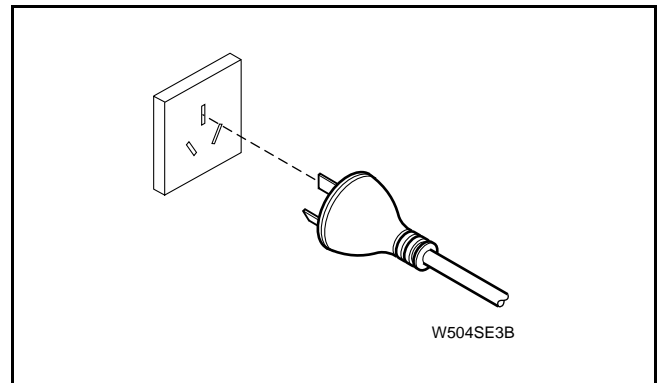
Do not slide washer across floor once the leveling legs have been extended, as legs and base could become damaged.



Step 6:

Plug In the Washer

Refer to section on *Electrical Requirements*, and plug the washer in.

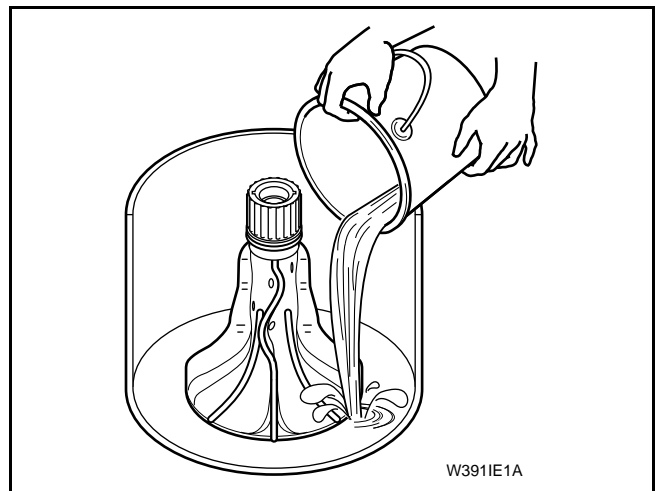


Step 7:

Add Water to the Washer

To prevent damage to pump, do not run washer before adding at least one quart water to the tub. If the washer is run before any water is added, the pump seal may overheat causing the pump to leak. Once installed, the water retained in the drain system from the previous cycle will provide sufficient cooling to prevent pump seal damage.

NOTE: The agitator should not be removed except for service. The washtub is designed to be self-cleaning.



Step 8:

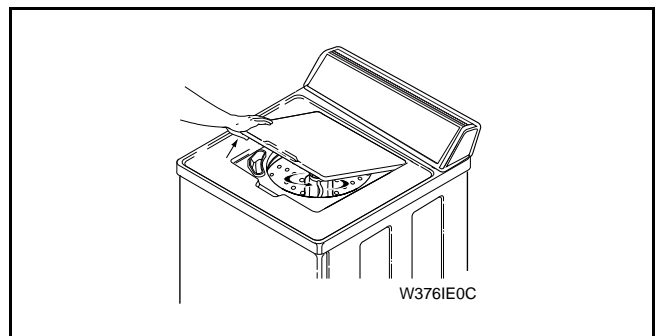
Check Lid Switch

Washer should stop spinning when lid is opened.

Step 9:

Check Installation


Refer to *Installer Checklist* on the back cover of this manual and make sure that washer is installed correctly.



Electrical Requirements

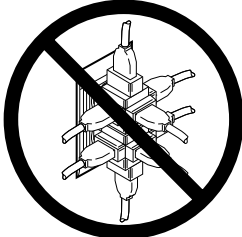
(240 Volt, 50 Hertz with 3-Prong Grounding Plug)

NOTE: The wiring diagram is located in the control hood.

 **WARNING**

To reduce the risk of fire, electric shock or personal injury, all wiring and earthing **MUST** conform with the latest edition of the National Electrical Code, ANSI/NFPA 70, and such local regulations as might apply. It is the customer's responsibility to have the wiring, fuses and circuit breakers checked by a qualified electrician to make sure your home has adequate electrical power to operate the washer.

W129




DO NOT OVERLOAD CIRCUITS
DO NOT USE ADAPTER
DO NOT USE AN EXTENSION CORD

D0091E1A

Earthing Instructions

The washer must be earthed. In the event of malfunction or breakdown, earthing will reduce the risk of electric shock by providing a path of least resistance for electric current. The washer is equipped with a cord having an equipment-earthing conductor and a 3-prong earthing plug. The plug must be plugged into an appropriate outlet that is properly installed and earthed in accordance with all local codes and ordinances.

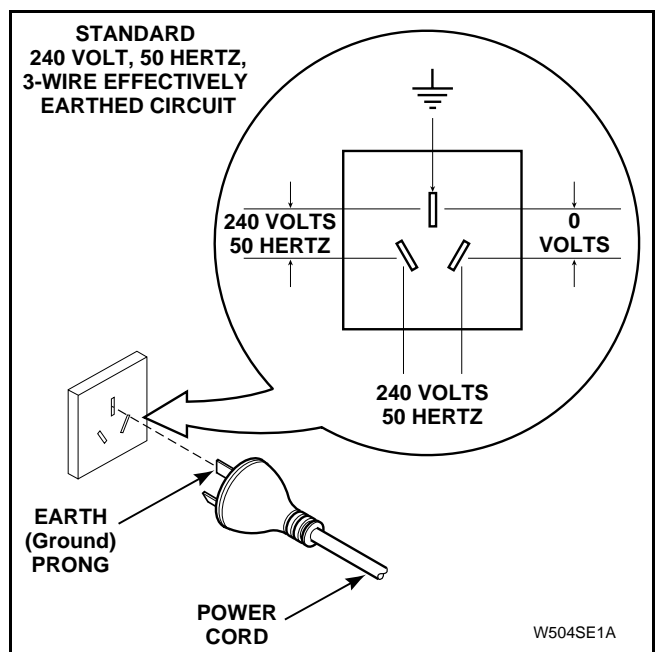
 **WARNING**

Improper connection of the equipment-earthing conductor can result in a risk of electric shock. Check with a qualified electrician or serviceman if you are in doubt as to whether the washer is properly earthed.


W218

Do not modify the plug provided with the washer – if it will not fit the outlet, have a proper outlet installed by a qualified electrician.

NOTE: Have a qualified electrician check the polarity of the wall receptacle. If a voltage reading is measured other than that illustrated, the qualified electrician should correct the problem.

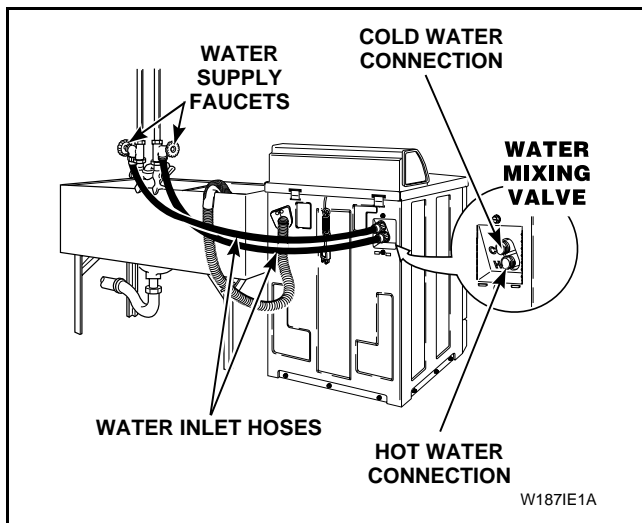


Water Supply Requirements

	WARNING
<p>Under certain conditions, hydrogen gas may be produced in a hot water system that has not been used for two weeks or more. HYDROGEN GAS IS EXPLOSIVE. If the hot water system has not been used for such a period and before using the washer, turn on all hot water faucets and let the water flow from each for several minutes. This will release any accumulated hydrogen gas. The gas is flammable. Do not smoke or use an open flame during this time.</p>	
<small>W029</small>	

NOTE: Water supply faucets must fit standard 3/4 -14 BSP metric female couplings. **DO NOT USE SLIP-ON OR CLAMP-ON CONNECTIONS.**

NOTE: Water supply faucets should be readily accessible to permit turning them off when washer is not being used.



Water Temperature

Cold:

Recommended cold water temperature is 10° to 24° Celsius, 50° to 75° Fahrenheit.

Hot:

Recommended hot water temperature is 60° to 66° Celsius, 140° to 150° Fahrenheit.

Warm:

Mixture of hot and cold water. (Warm water temperature is dependent upon the water temperature and the pressure of both the hot and cold water supply lines.)

IMPORTANT: Turn off water supply faucets after check-out and demonstration. Owner should turn off water supply whenever there will be an extended period of non-use.

NOTE: A longer inlet hose is available (as optional equipment at extra cost) if the hose (supplied with the washer) is not long enough for the installation. Order hose as follows:

Part Number WA003 – 2,5 m Inlet Hose

Water Supply Requirements

Water Pressure

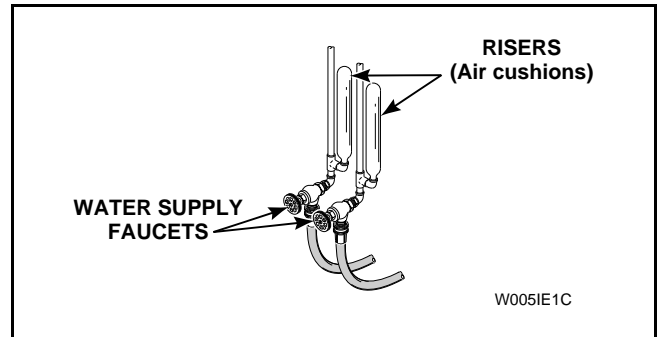
Pressure must be a minimum of 138 to a maximum of 827 kPa per square inch (20 to 120 pounds per square inch) static pressure measured at the faucet.

NOTE: For water pressure over 827,4 kPa per square inch (120 pounds per square inch) we recommend the installation of a pressure limiting valve (Part Number PSL50DK). This item may be purchased by calling FREECALL 1 800 025 139.

NOTE: Water pressure under 138 kPa per square inch (20 pounds per square inch) will cause an extended fill time in the washer.

Risers

Risers (or air cushions) may have to be installed if the pipes knock or pound when flow of water stops. The risers are more efficient when installed as close as possible to the water supply faucets, see illustration below.



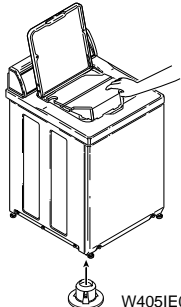
Installer Checklist

Fast Track for Installing the Washer (Refer to the manual for more detailed information)

1

- Remove the Shipping Brace and Shipping Plug.

CHECK

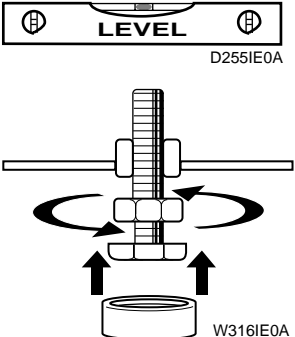


W4051E0A

5

- Position and Level the Washer.

CHECK

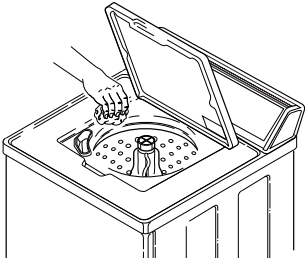


D2551E0A
W3161E0A

2

- Wipe Out Inside of Washtub.

CHECK

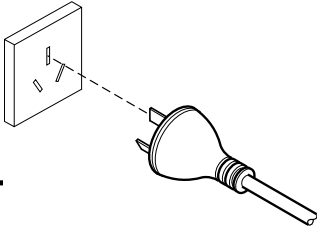


W3711E0B

6

- Plug In the Washer.

CHECK

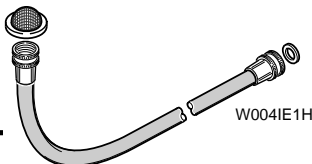


W504SE1B

3

- Connect Water Inlet Hoses.

CHECK

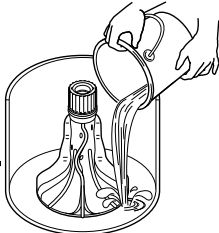


W0041E1H

7

- Add Water to the Washer.

CHECK

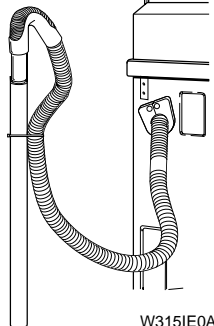


W3911E0A

4

- Connect Drain Hose to Drain Receptacle.

CHECK

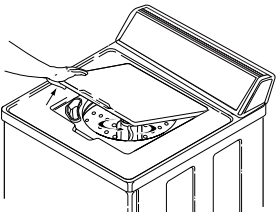


W3151E0A

8

- Check Lid Switch.

CHECK



W3761E0B