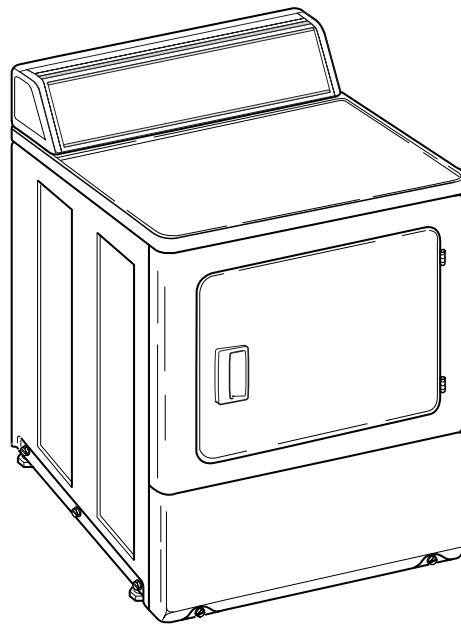


Automatic Dryers

Installation



D715I


Keep These Instructions for Future Reference.

(If this machine changes ownership, this manual must accompany machine.)

IMPORTANT: The electrical installation in the site shall comply with the latest edition of the Australian Electrical Standards AS3000, SAA wiring rules and such local regulations that might apply. The gas dryer installation must conform with the local regulations and AS5601 / AG601 “Gas Installations.”

Read complete Installation and Operation Instructions before using dryer.

The maximum clothes drying load (dry weight) shall not exceed 9.0 kg (20 pounds).

	WARNING
FOR YOUR SAFETY, the information in this manual must be followed to minimize the risk of fire or explosion or to prevent property damage, personal injury or death.	
W033	
<ul style="list-style-type: none">• Do not store or use gasoline or other flammable vapors and liquids in the vicinity of this or any other appliance.• WHAT TO DO IF YOU SMELL GAS:<ul style="list-style-type: none">– Do not try to light any appliance.– Do not touch any electrical switch; do not use any phone in your building.– Clear the room, building or area of all occupants.– Immediately call your gas supplier from a neighbor’s phone. Follow the gas supplier’s instructions.– If you cannot reach your gas supplier, call the fire department.• Installation and service must be performed by a qualified installer, service agency or the gas supplier.	
W052	

IMPORTANT: Purchaser must consult the local gas supplier for suggested instructions to be followed if the dryer user smells gas. The gas utility instructions plus the SAFETY and WARNING note directly above must be posted in a prominent location near the dryer for customer use.

	WARNING
FOR YOUR SAFETY	
Do not store or use gasoline or other flammable vapors and liquids in the vicinity of this or any other appliance.	
W053	

Table of Contents

Replacement Parts	5
Installation	7
Before You Start	8
Tools	8
Gas	8
Location	8
Exhaust.....	8
Electrical	8
Installing the Dryer	9
Step 1: Position and Level the Dryer	9
Step 2: Connect Dryer Exhaust System	9
Step 3: (Gas Dryer ONLY) Connect Gas Supply Pipe	10
Step 4: Wipe Out Inside of Dryer	11
Step 5: Plug In the Dryer	11
Step 6: Check Installation	11
Heat Check.....	12
Burner Flame	12
Reversing Door Procedure.....	13
Manufactured (Mobile) Home Installation	14
Electrical Requirements.....	15
Electric Dryers	15
Gas Dryers	16
Earthing Instructions.....	17
Gas Requirements.....	18
Connection of Gas Supply Pipe	18
Location Requirements	20
Dryer Exhaust Requirements	21
Exhaust System Materials	21
Make-Up Air Requirements	21
Exhaust System	21
Exhaust Direction.....	22
Exhaust System Maintenance	23
Dryer Airflow.....	23
Maintenance	25
Lubrication.....	25
Care of Your Dryer	25
Exhaust System.....	25
Information for Handy Reference	27
Installer Checklist	Back Cover

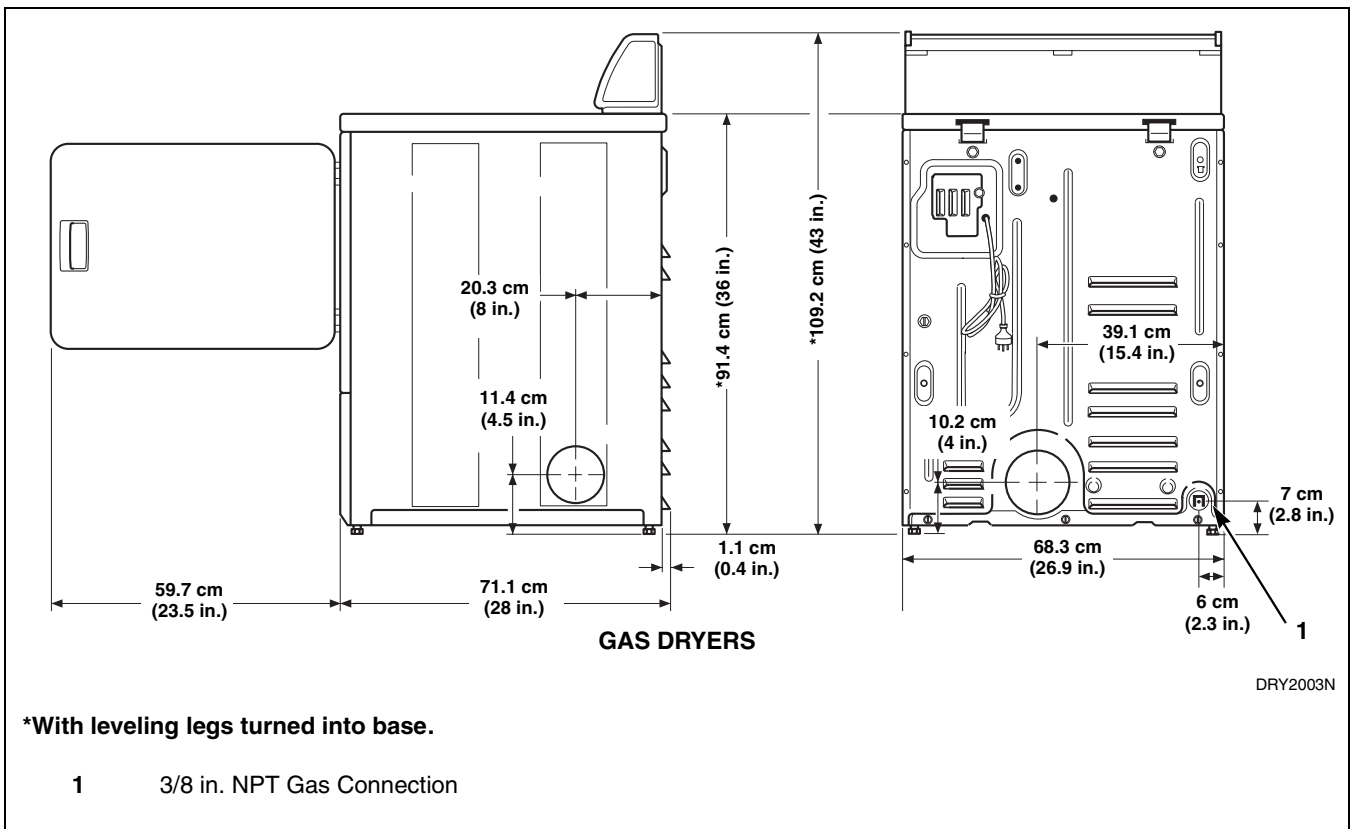
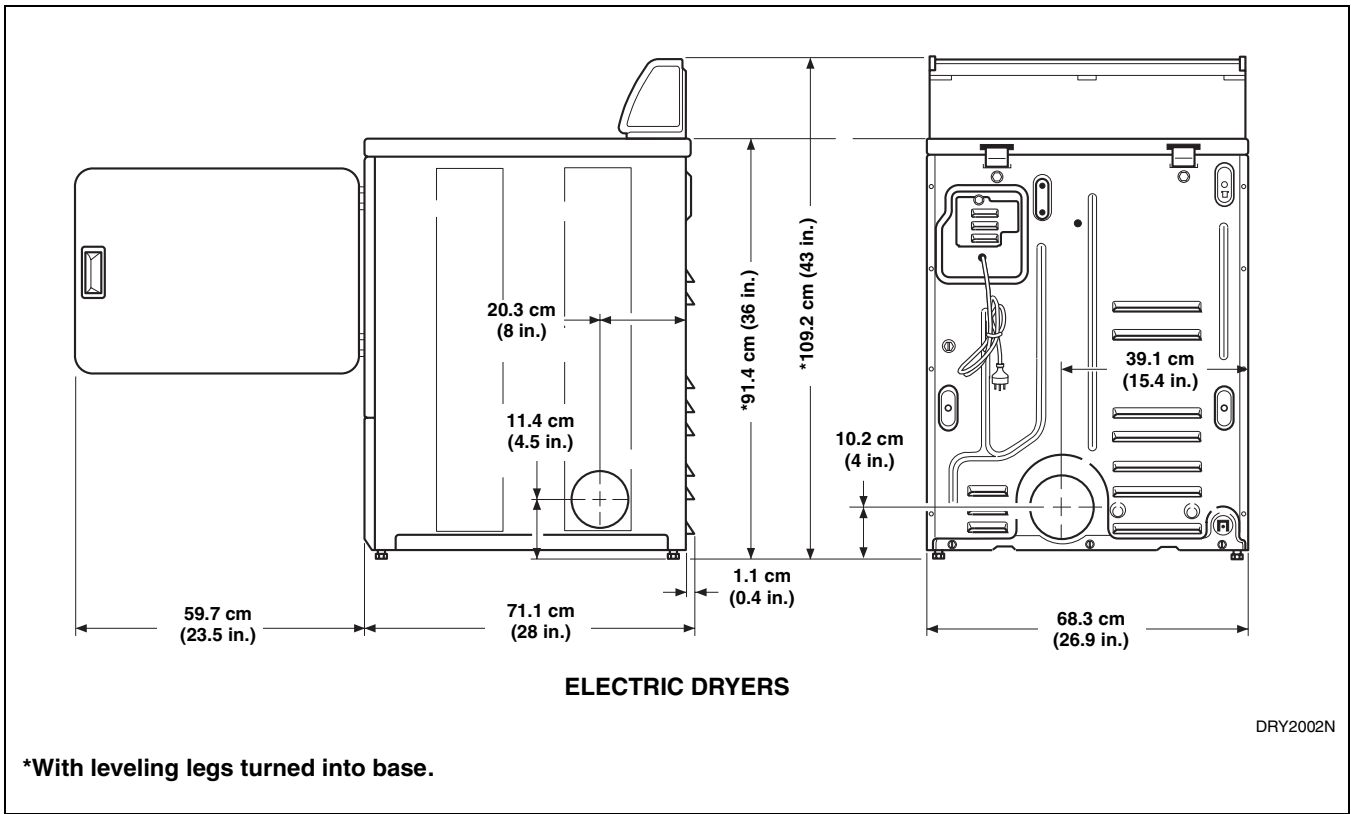
© Copyright 2005, Alliance Laundry Systems LLC

All rights reserved. No part of the contents of this book may be reproduced or transmitted in any form or by any means without the expressed written consent of the publisher.

Replacement Parts

If replacement parts are required, contact the source from which you purchased your dryer.

Installation



Installation

Before You Start

Tools

For most installations, the basic tools you will need are:

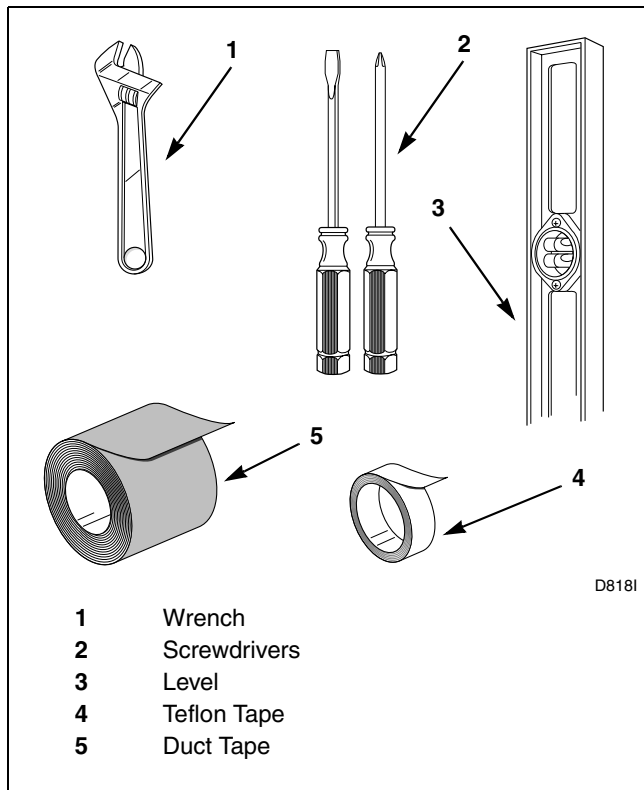


Figure 1

Gas

Dryer is equipped for Natural Gas with a 3/8 inch NPT gas supply connection. For more detailed information, refer to section on **Gas Requirements**.

Location

Place the dryer on a solid floor with an adequate air supply. For more detailed information, refer to section on **Location Requirements**.

Exhaust

Use rigid metal duct and exhaust the dryer to the outside by the shortest route possible.

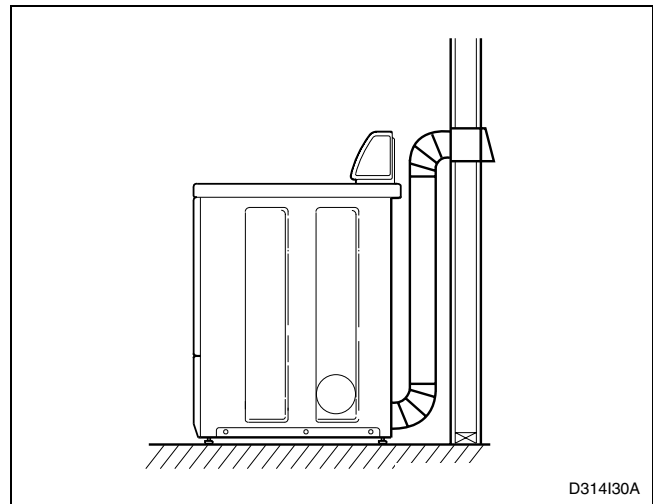


Figure 2

NOTE: For more detailed information, refer to section on **Dryer Exhaust Requirements**.

Electrical

- **ELECTRIC DRYER**
Dryer needs a 2 wire plus earth, 250 Volt, 50 Hertz, 20 Amp, single-phase electrical supply.
- **GAS DRYER**
Dryer needs a 2 wire plus earth, 250 Volt, 50 Hertz, 10 Amp, single-phase electrical supply.

NOTE: For more detailed information, refer to section on **Electrical Requirements**.

	WARNING
Any disassembly requiring the use of tools must be performed by a suitably qualified service person.	
W299	

If the supply cord is damaged, it must be replaced by a special cord or assembly available from the manufacturer or its service agent and is to be replaced by a qualified service person.

Installing the Dryer

Step 1: Position and Level the Dryer

For further assistance refer to section on *Location Requirements*.

Install dryer before washer. This allows room for attaching exhaust duct.

Place the dryer in position, and adjust the legs until the dryer is level from side to side and front to back.

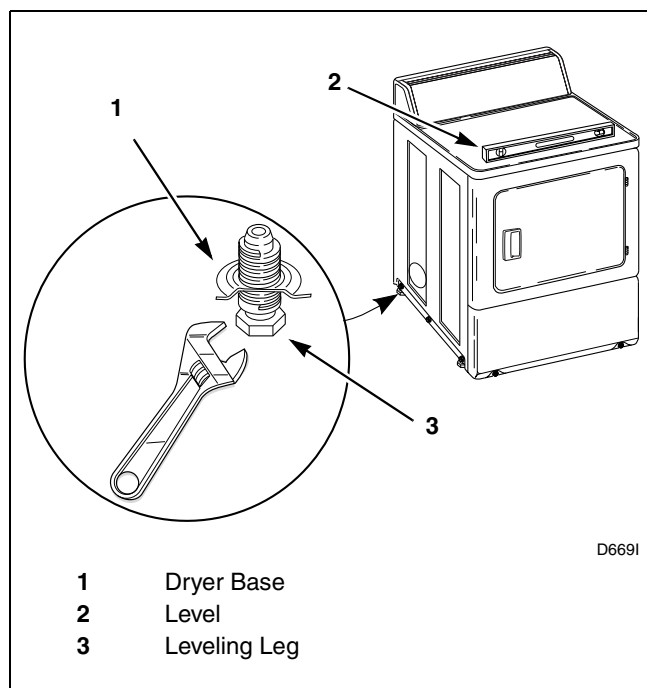


Figure 3

Step 2: Connect Dryer Exhaust System

For further assistance refer to sections on *Location Requirements* and *Dryer Exhaust Requirements*.

	WARNING
<p>A clothes dryer produces combustible lint. To reduce the risk of fire and combustion gas accumulation the dryer MUST be exhausted to the outdoors.</p>	
W116	

- DO NOT use plastic or thin foil ducting.
- Locate dryer so exhaust duct is as short as possible.
- Be certain old ducts are cleaned before installing your new dryer.
- Use 10.2 cm (4 inch) diameter rigid or flexible metal duct.
- The male end of each section of duct must point away from the dryer.
- Use as few elbows as possible.
- Use duct tape or pop-rivets on all duct joints.
- Ductwork that runs through unheated areas must be insulated to help reduce condensation and lint build-up on pipe walls.
- Install backdraft dampers in multi-dryer installations.

IMPORTANT: Failure to exhaust dryer properly will void warranty.

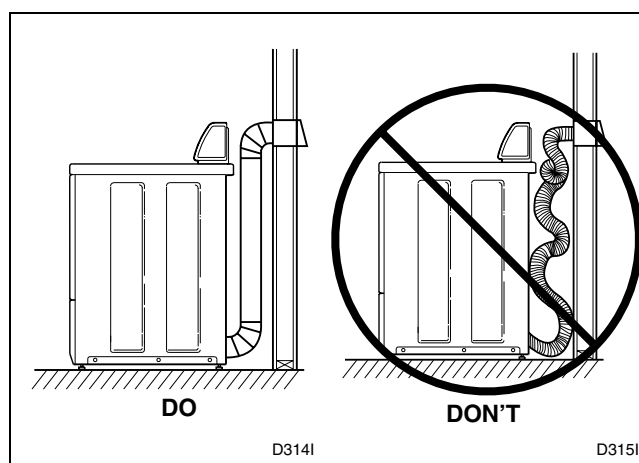


Figure 4

NOTE: Venting materials are not supplied with the dryer (obtain locally).

Installation

Step 3: (Gas Dryer ONLY) Connect Gas Supply Pipe

For further assistance, refer to section on *Gas Requirements*.

1. Make certain your dryer is equipped for use with the type of gas in your laundry room. Dryer is equipped at the factory for **Natural Gas** with a 3/8 inch NPT gas connection.
2. Remove the shipping cap from the gas connection at the rear of the dryer. Make sure you do not damage the pipe threads when removing the cap.
3. Connect to gas supply pipe.
4. Tighten all connections securely. Turn on gas and check all pipe connections (internal and external) for gas leaks with a non-corrosive leak detection fluid.
5. For L.P. (Liquefied Petroleum) gas connection, refer to section on *Gas Requirements*.

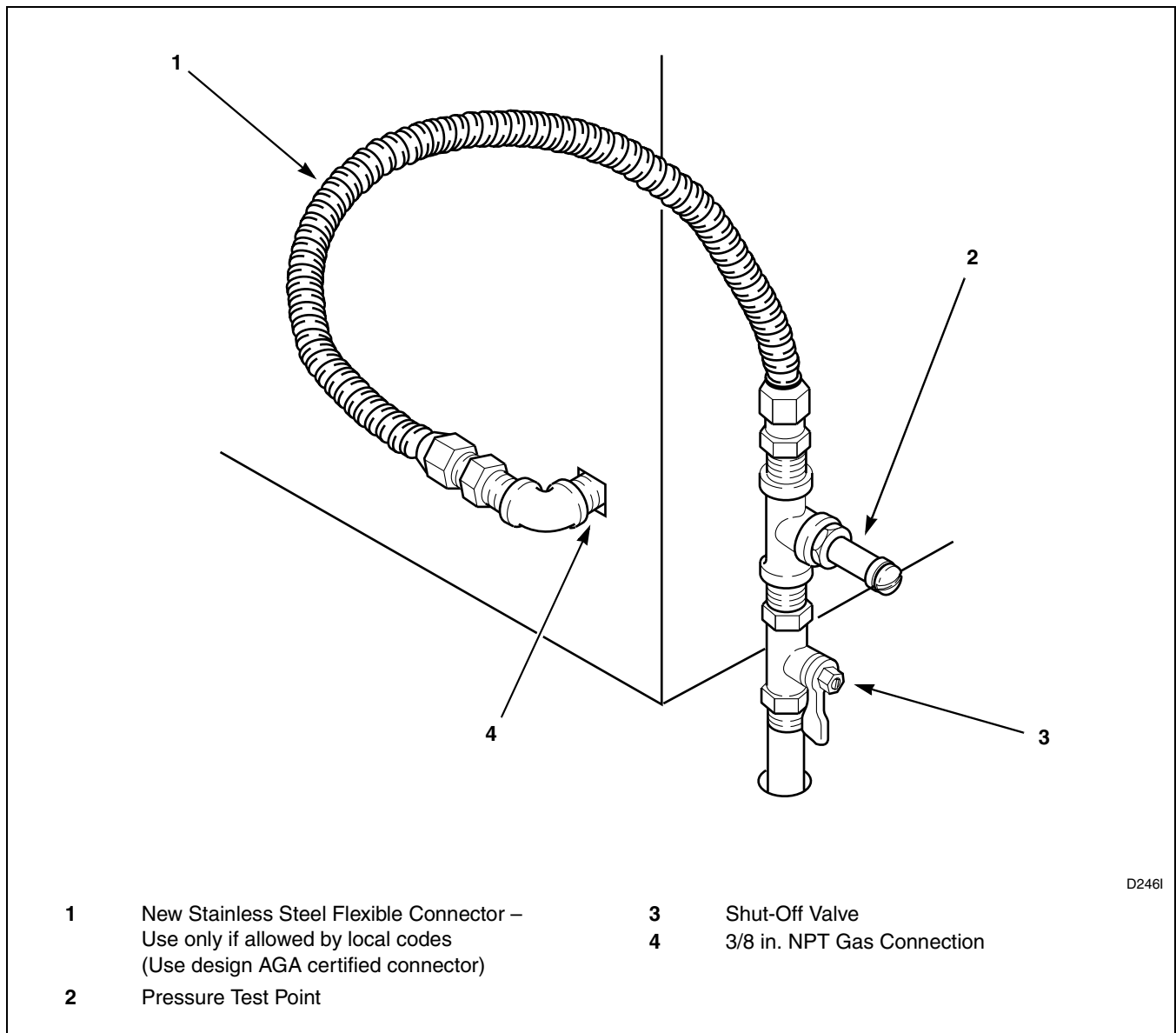


Figure 5

Step 4: Wipe Out Inside of Dryer

Before using dryer for the first time, use an all-purpose cleaner, or a detergent and water solution, and a damp cloth to remove shipping dust from inside dryer drum.

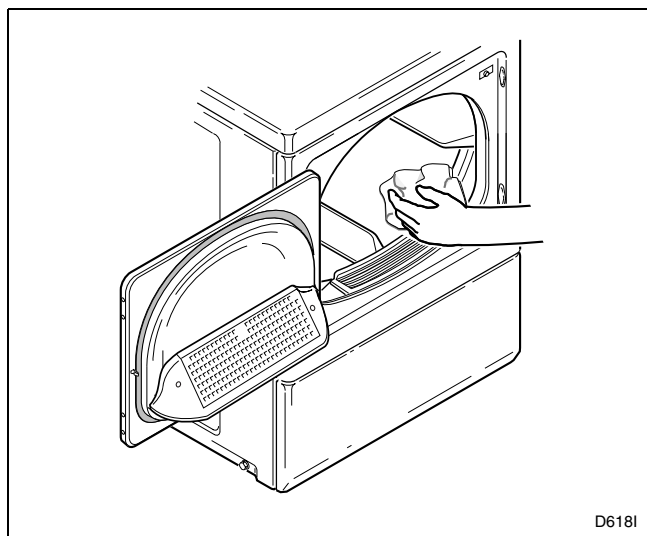


Figure 6

D618I

Step 5: Plug In the Dryer

Refer to section on *Electrical Requirements*, and connect the dryer to an electrical power source.

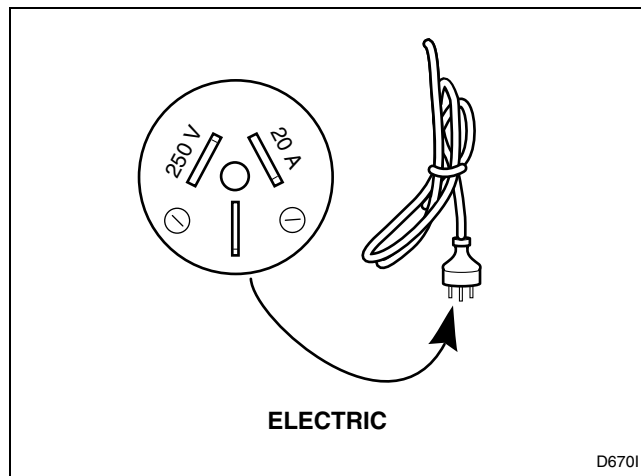


Figure 7

D670I

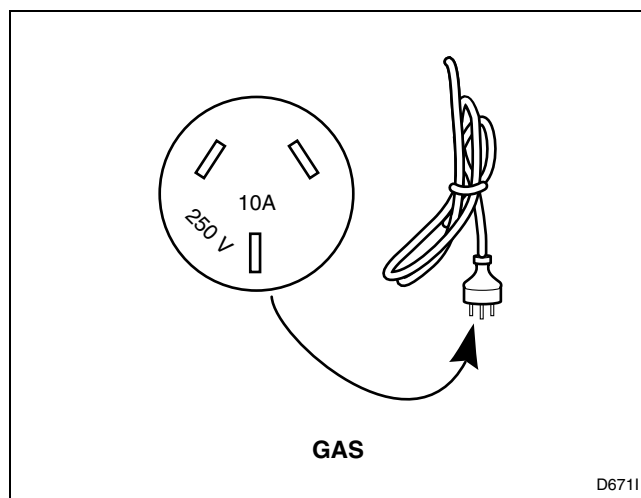


Figure 8

D671I

Step 6: Check Installation

Refer to *Installer Checklist* on the back cover of this manual and make sure that dryer is installed correctly.

Installation

Heat Check

Electric Dryers

Close the loading door and start the dryer in a heat setting (refer to the Operating Instructions supplied with the dryer). After the dryer has operated for three minutes, the exhaust air or exhaust pipe should be warm.

Burner Flame

Gas Dryers

IMPORTANT: This operation to be conducted by qualified personnel only.

To view the burner flame, remove the lower front panel of the dryer.


Close the loading door, start the dryer in a heat setting (refer to the Operating Instructions supplied with the dryer); the dryer will start, the igniter will glow red and the main burner will ignite.

IMPORTANT: If all air is not purged out of gas line, gas igniter may go off before gas is ignited. If this happens, after approximately one minute, igniter will again attempt gas ignition.


IMPORTANT: If igniter is not lit, make sure gas is turned on.

After the dryer has operated for approximately five minutes, observe burner flame through lower front panel. Adjust the air shutter to obtain a soft, uniform blue flame. (A lazy, yellow-tipped flame indicates lack of air. A harsh, roaring, very blue flame indicates too much air.) Adjust the air shutter as follows:

1. Loosen the air shutter lockscrew.
2. Turn the air shutter to the left to get a luminous yellow-tipped flame, then turn it back slowly to the right to obtain a steady, soft blue flame.
3. After the air shutter is adjusted for proper flame, tighten the air shutter lockscrew securely.
4. Reinstall the lower front panel.

	WARNING
To reduce the risk of serious injury or death, the lower front panel must be in place during normal operation.	
W158	

After the dryer has operated for approximately three minutes, exhaust air or exhaust pipe should be warm.

	WARNING
Any disassembly requiring the use of tools must be performed by a suitably qualified service person.	
W299	

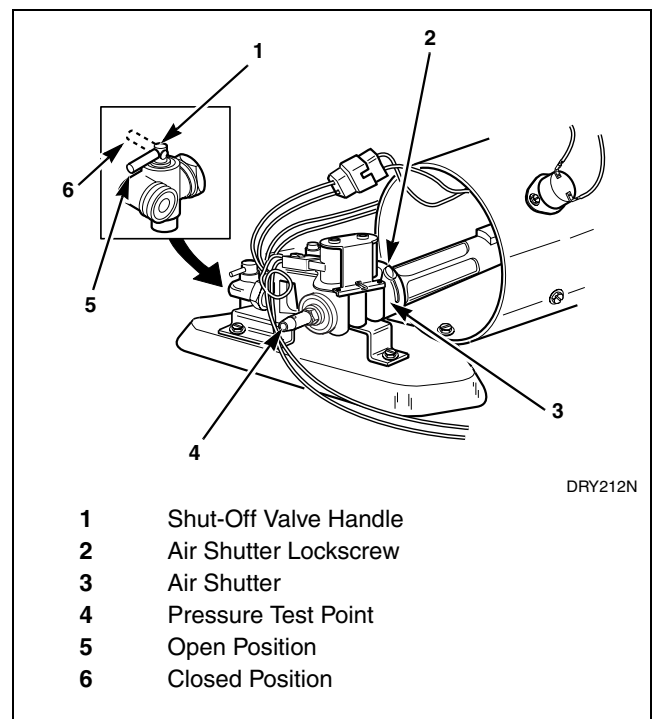
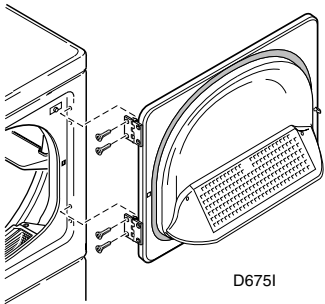
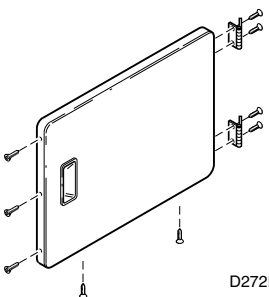
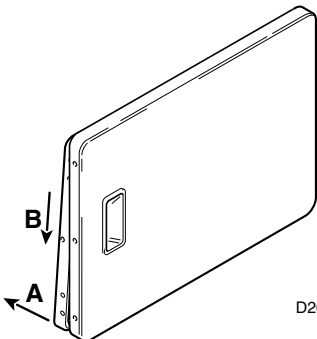
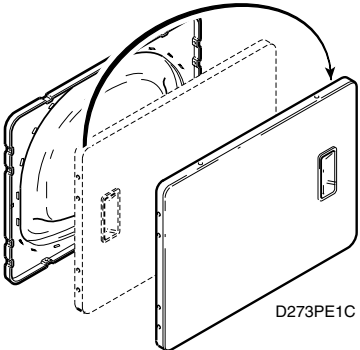
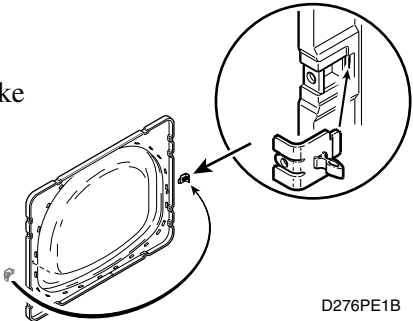
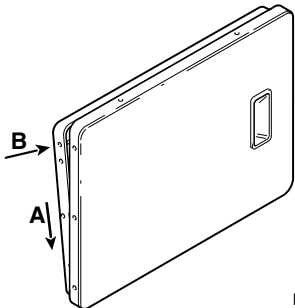
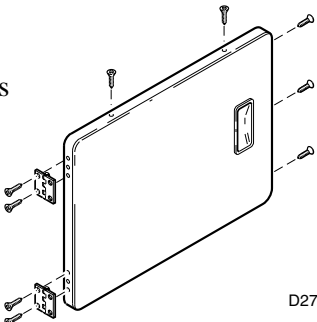
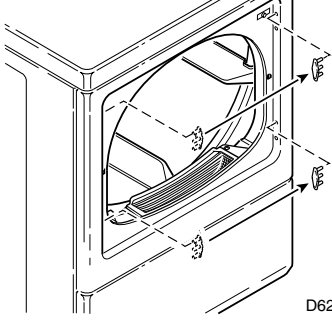
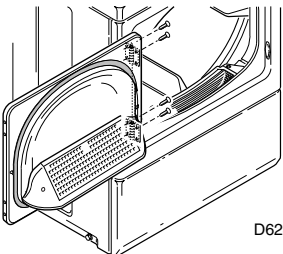


Figure 9

Reversing Door Procedure

The door on this dryer is completely reversible. To reverse door proceed as follows:


<p>1</p> <p>Remove four hinge attaching screws.</p>  <p>D675I</p>	<p>2</p> <p>Remove all nine screws.</p>  <p>D272P</p>
<p>3</p> <p>Pull bottom of door liner out, then pull down, removing door liner from door panel.</p>  <p>D268PE1A</p>	<p>4</p> <p>Rotate door panel 180 degrees as shown.</p>  <p>D273PE1C</p>
<p>5</p> <p>Remove door strike from door liner and reinstall on opposite side.</p>  <p>D276PE1B</p>	<p>6</p> <p>Insert liner under flange on bottom of door, then push top of door liner into place.</p>  <p>D269PE1C</p>
<p>7</p> <p>Reinstall nine screws removed in Step 2.</p>  <p>D270PE1B</p>	<p>8</p> <p>Using a screwdriver, remove two door plugs, and reinstall on opposite side of door opening.</p>  <p>D620I</p>
<p>9</p> <p>Reinstall four hinge attaching screws removed in Step 1.</p>  <p>D623I</p>	

Manufactured (Mobile) Home Installation

IMPORTANT: Installation must conform to the Manufactured Home Construction and Safety Standards, Title 24 CFR, Part 32-80 or Standard CAN/CSA-Z240 MH.


The dryer can be installed in a manufactured (mobile) home by following these instructions:

1. **IMPORTANT: Gas dryers MUST be permanently attached to the floor at the time of installation. Order No. 526P3 Dryer Installation Kit for a manufactured (mobile) home installation. Follow the instructions supplied with the kit.**
2. Venting – Dryer MUST be exhausted to the outdoors.

	WARNING
To reduce the risk of fire and combustion gas accumulation, the dryer MUST BE EXHAUSTED TO THE OUTDOORS. Refer to Section on Dryer Exhaust Requirements.	
W047	

- The dryer can be exhausted to the outdoors through the back, left, right or bottom panel. Gas dryers cannot be exhausted out the left side because of the burner housing.
- The dryer exhaust duct must be secured to the mobile home structure.

- Exhaust ducts **MUST NOT** be connected with sheet metal screws or fasteners which extend into the duct.
- Exhaust duct must not be connected to any other duct, vent or chimney.
- Dryer exhaust duct **MUST NOT** terminate under the mobile home.
- For proper operation, it is important that the dryer has an ample amount of outside make-up air. The free area of any opening for the introduction of outside air must be at least 163 cm² (25 in²).
- When exhausting the dryer to the outdoors, the dryer can be installed with “0” inch clearance at the sides and rear. Clearance of the duct from combustible construction must be a minimum of 5.08 cm (2 inches).
- Venting materials are not supplied with the dryer (obtain locally).

	WARNING
To reduce the risk of fire, the exhaust duct and weather hood MUST be fabricated of a material that will not support combustion. Rigid or flexible metal pipe is recommended for a clothes dryer.	
W048	

Electrical Requirements


Electric Dryers

NOTE: The wiring diagram is located inside the control hood.

IMPORTANT: The electrical installation in the site shall comply with the latest edition of Australian Electrical Standards, AS3000, SAA wiring rules, and such local regulations that might apply.

This dryer is designed to be operated on a two wire, plus earth, 240 Volt, 50 Hertz, single-phase circuit, fused at 20 amperes.

Insert the dryer's lead-in cord plug into an earthing three-slot-plus earth, wall receptacle on a separate circuit. **DO NOT OPERATE OTHER APPLIANCES ON THE SAME CIRCUIT WHEN THE DRYER IS OPERATING. DO NOT USE AN EXTENSION CORD.**

	CAUTION
<p>If this appliance is supplied from a cord extension set or an electrical portable outlet device, the cord extension set or electrical portable outlet device must be positioned so that it is not subject to splashing or ingress of moisture.</p>	
W563	

If the supply cord is damaged, it must be replaced by a special cord or assembly available from the manufacturer or its service agent.

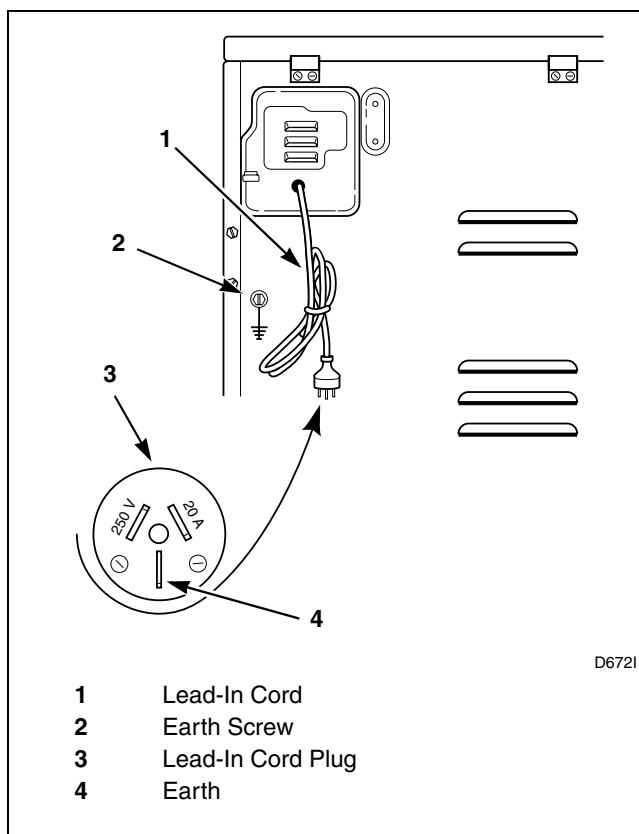


Figure 10

Installation


Gas Dryers

NOTE: The wiring diagram is located inside the control hood.

IMPORTANT: The electrical installation in the site shall comply with the latest edition of Australian Electrical Standards, AS3000, SAA wiring rules, and such local regulations that might apply.

This dryer is designed to be operated on a two wire, plus earth, 240 Volt, 50 Hertz, single-phase circuit, fused at 10 amperes.

Insert the dryer's lead-in cord plug into an earthing three-slot wall receptacle on a separate circuit. **DO NOT OPERATE OTHER APPLIANCES ON THE SAME CIRCUIT WHEN THE DRYER IS OPERATING. DO NOT USE AN EXTENSION CORD.**

	WARNING
If this appliance is supplied from a cord extension set or an electrical portable outlet device, the cord extension set or electrical portable outlet device must be positioned so that it is not subject to splashing or ingress of moisture.	
W563	

If the supply cord is damaged, it must be replaced by a special cord or assembly available from the manufacturer or its service agent.

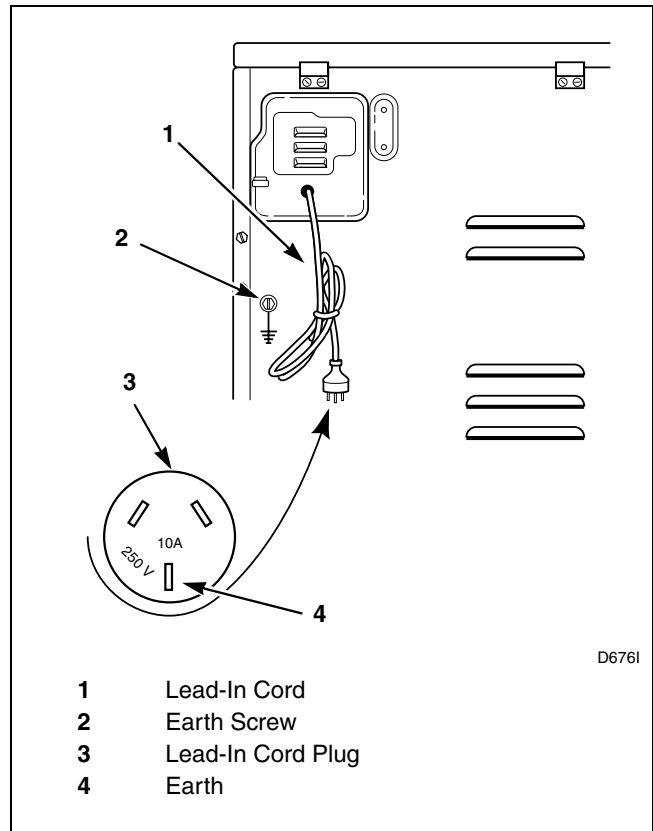



Figure 11

Earthing Instructions

The dryer must be earthed. In the event of malfunction or breakdown, earthing will reduce the risk of electric shock by providing a path of least resistance for electric current. The dryer is equipped with a cord having an equipment-earthing conductor and a 3 prong earthing plug. The plug must be plugged into an appropriate outlet that is properly installed and earthed in accordance with local codes and ordinances.

Do not modify the plug provided with the dryer – if it will not fit the outlet, have a proper outlet installed by a qualified electrician.

If the electrical supply does not meet the above specifications and/or you are not sure your home has an effective earth, have a qualified electrician or your local electrical utility company check it and correct any problems.

	<h2>WARNING</h2>
<p>Improper connection of the equipment-earthing conductor can result in a risk of electric shock. Check with a qualified electrician or serviceman if you are in doubt as to whether the dryer is properly earthed.</p>	
<small>W159</small>	

Gas Requirements

(Gas Dryers)

NOTE: The gas service to a gas dryer must conform with the local codes and ordinances and AS5601 / AG601 “Gas Installations.” In the absence of local codes and ordinances, applicable National codes should be followed.

Connection of Gas Supply Pipe

1. Install the dryer with sufficient clearance for adequate air circulation, and for the ease of the dryer installation, servicing and operation. For maximum drying performance, we recommend you allow more clearance than the clearances that are listed throughout this manual.
2. Remove the shipping cap from the gas connection at the rear of the dryer. Make sure you do not damage the pipe threads when removing the cap.
3. Make certain your dryer is equipped for use with the type of gas in your laundry room.

NOTE: Natural gas, 37.3 MJ/m³ (1000 Btu/ft³), service must be supplied at 1.13 kPa (4.54 inch water column) pressure. Do not connect the dryer to L.P. (Liquefied Petroleum) gas service without converting the gas valve. A No. 401P3 L.P. (Liquefied Petroleum) Gas Conversion Kit must be installed by the Manufacturer’s Authorized Dealers, Distributors, or local service personnel.


NOTE: L.P. (Liquefied Petroleum) gas, 93.1 MJ/m³ (2500 Btu/ft³), service must be supplied at 2.75 kPa (11.04 inch water column) pressure and a vent to the outdoors must be provided.

4. If local codes allow the use of flexible gas tubing, connect the 3/8 inch NPT (National Pipe Thread) gas connection at the rear of the dryer to the laundry room’s gas line with new flexible stainless steel tubing (using design certified Australian Gas Association connector only).

IMPORTANT: Use local codes of practice for gas installation.

This dryer is equipped with jet for Natural gas.

Gas Consumption	Natural	21.9 MJ
	L.P. (Liquefied Petroleum)	21.9 MJ
Gas Supply Pressure	Natural	1.13 kPa
	L.P. (Liquefied Petroleum)	2.75 kPa



WARNING

To reduce the risk of gas leaks, fire or explosion:

- The dryer must be connected to the type of gas as shown on nameplate located in the door recess.
- Use a new flexible stainless steel connector.
- Use pipe joint compound insoluble in L.P. (Liquefied Petroleum) Gas, or Teflon tape, on all pipe threads.
- Purge air and sediment from gas supply line before connecting it to the dryer. Before tightening the connection, purge remaining air from gas line to dryer until odor of gas is detected. This step is required to prevent gas valve contamination.
- Do not use an open flame to check for gas leaks. Use a non-corrosive leak detection fluid.
- Any disassembly requiring the use of tools must be performed by a suitably qualified service person.

W316

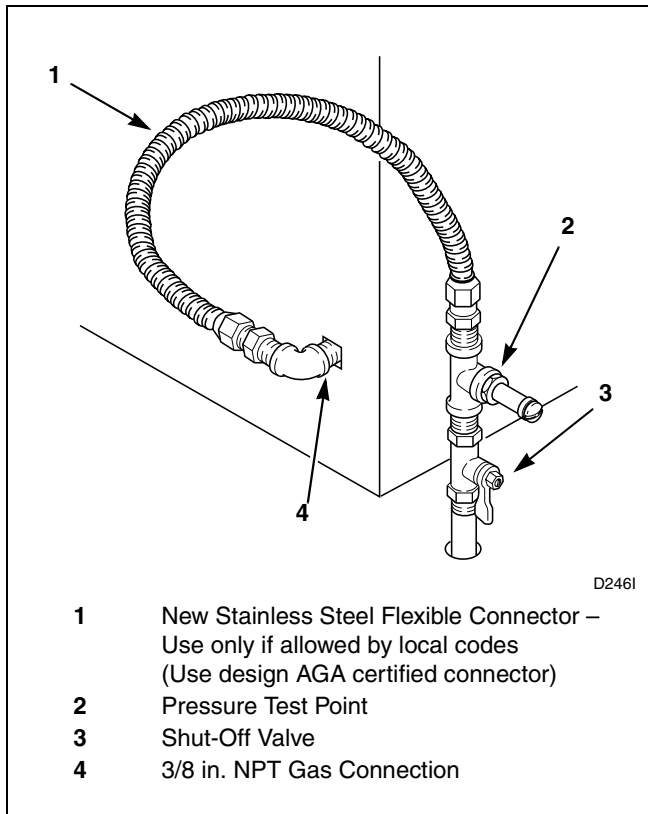


Figure 12

NOTE: When connecting gas supply line, a pressure test point must be installed downstream from the shut-off valve for checking inlet gas pressure.

- The gas line to your laundry room should be made of black iron pipe. A 9.5 mm (3/8 inch) pipe with an inside diameter of 11.7 mm (0.46 inch) will be adequate if length of supply line is not over 6 m (20 feet). If length exceeds this, use 12.7 mm (1/2 inch) pipe. If copper semi-rigid tubing is used, it must be internally tinned or equivalently treated to resist sulfur corrosion.

NOTE: The dryer and its appliance main gas valve must be disconnected from the gas supply piping system during any pressure testing of that system at test pressures in excess of 3.45 kPa (1/2 psig).

- Check all pipe connections (internal and external) for gas leaks with a soapy solution. Gas connections should be checked annually for leakage.

- Be sure the shut-off valve in your dryer is OPEN. Your dryer is shipped with the valve open.
- The dryer gas valve is equipped with a pressure test point for checking manifold pressure.

For proper operation at altitudes above 760 m (2500 feet), the natural gas valve spud orifice size must be reduced to ensure complete combustion. Refer to *Table 1* and *Table 2*.

Natural Gas Altitude Adjustments					
Altitude		Orifice Size			Part No.
m	feet	No.	mm	inches	
760	2500	45	2.08	0.0820	503779
1370	4500	46	2.06	0.0810	503780
1830	6000	47	1.99	0.0785	503781
2290	7500	48	1.93	0.0760	503782
2900	9500	49	1.85	0.0730	503783
3355	11,000	50	1.78	0.0700	503784

Table 1

L.P. Altitude Adjustments					
Altitude		Orifice Size			Part No.
m	feet	No.	mm	inches	
1370	4500	56	1.2	0.0465	503786
3000	9500	57	1.1	0.043	60941

Table 2

Installation

Location Requirements

Select a location with a solid floor. Dryers installed in residential garages must be elevated 46 cm (18 inches) above the floor.

No other fuel burning appliance should be installed in the same closet with the dryer.

The dryer must not be installed or stored in an area where it will be exposed to water and/or weather.

Leveling legs can be adjusted from inside the dryer with a 1/4 inch driver. All four legs must rest firmly on the floor so the weight of the dryer is evenly distributed. The dryer must not rock.

The dryer needs sufficient clearance and an adequate air supply for proper operation and ventilation, and for easier installation and servicing. (Minimum clearances are shown in *Figure 13*.)

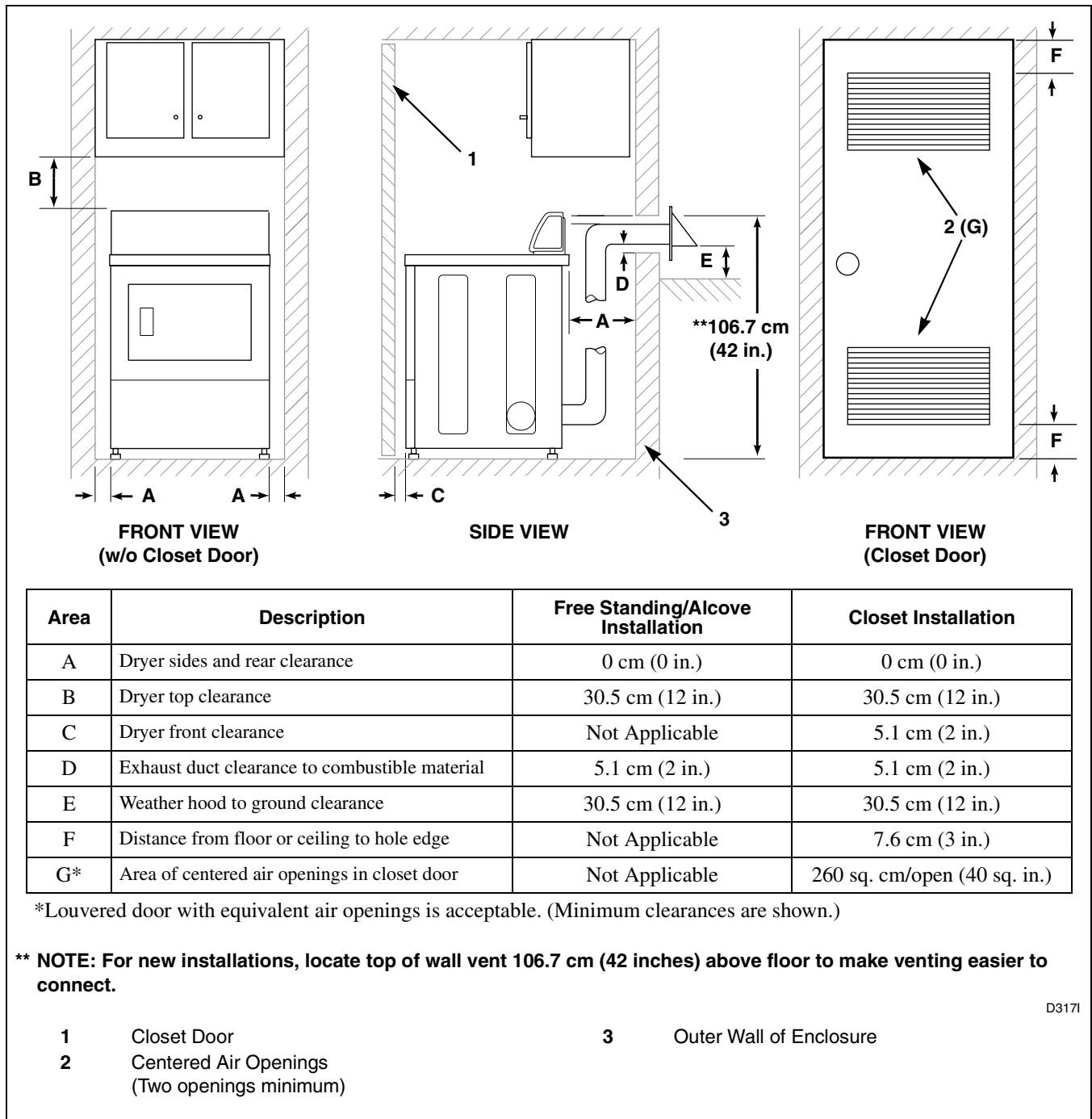



Figure 13

Dryer Exhaust Requirements

	WARNING
<p>A clothes dryer produces combustible lint. To reduce the risk of fire and combustion gas accumulation the dryer MUST be exhausted to the outdoors.</p> <p style="text-align: right;">W116</p>	
<p>To reduce the risk of fire and the accumulation of combustion gases, DO NOT exhaust dryer air into a window well, gas vent, chimney or enclosed, unventilated area, such as an attic, wall, ceiling, crawl space under a building or concealed space of a building.</p> <p style="text-align: right;">W045</p>	
<p>To reduce the risk of fire, DO NOT use plastic or thin foil ducting to exhaust the dryer.</p> <p style="text-align: right;">W354</p>	

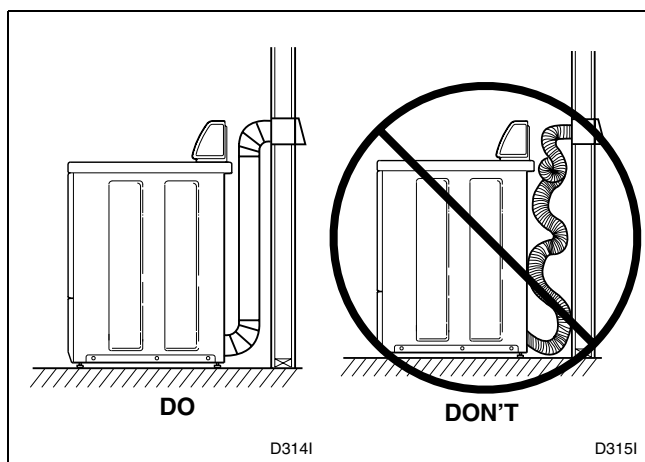


Figure 14

Exhaust System Materials

Exhaust duct must be 10.2 cm (4 inches) in diameter having no obstructions. Rigid metal duct is recommended. Non-combustible flexible metal duct is acceptable. **Do not use** plastic or thin foil ducting, because it contributes to poor drying performance and collects lint, which can lead to a fire hazard.

Never install flexible duct in concealed spaces, such as a wall or ceiling.

DO NOT use sheet metal screws on exhaust pipe joints or other fastening means which extend into the duct that could catch lint and reduce the efficiency of the exhaust system. Secure all joints with duct tape or pop-rivets.

Make-Up Air Requirements

For proper operation it is important that you locate the dryer in an area that has an ample amount of make-up air to replace the amount exhausted by the dryer.

Energy efficient homes with low air infiltration rates should be equipped with an air exchanger that can accommodate on demand make-up air needs in the home. These devices can be obtained through your building contractor or building material suppliers.

Exhaust System

IMPORTANT: Keep exhaust duct as short as possible.

NOTE: Be certain old ducts are cleaned before installing your new dryer.

For best drying results, recommended maximum length of exhaust system is shown in *Table 3*.

To prevent backdraft when dryer is not in operation, outer end of exhaust pipe must have a weather hood with hinged dampers (obtain locally).

NOTE: Weather hood should be installed at least 30.5 cm (12 inches) above the ground. Larger clearances may be necessary for installations where heavy snowfall can occur.

Installation

Exhaust Direction

The dryer can be exhausted to the outdoors through the back, left, right or bottom of the dryer. **EXCEPTION: Gas dryers cannot be vented out the left side because of the burner housing.**

Dryer is shipped from factory ready for rear exhaust; **no kits required.**

Exhausting the dryer through sides or bottom can be accomplished by installing Directional Exhaust Kit, 528P3, available as optional equipment at extra cost.

IMPORTANT: Do not block the airflow at the bottom of the dryer's front panel with laundry, rugs, etc. Blockage will decrease airflow through the dryer, thus reducing the efficiency of the dryer.




Figure 15

Number of 90° Elbows	Weather Hood Type	
	Recommended	Use Only for Short Run Installations
	<p>10.2 cm (4 in.)</p> <p>10.2 cm (4 in.)</p> <p>D673I</p>	<p>6.35 cm (2-1/2 in.)</p> <p>D802I</p>
Maximum length of 10.2 cm (4 in.) diameter rigid metal duct.		
0	19.8 m (65 feet)	16.8 m (55 feet)
1	16.8 m (55 feet)	14.3 m (47 feet)
2	14.3 m (47 feet)	12.5 m (41 feet)
3	11.0 m (36 feet)	9.1 m (30 feet)
4	8.5 m (28 feet)	6.7 m (22 feet)
Maximum length of 10.2 cm (4 in.) diameter flexible metal duct.		
0	13.7 m (45 feet)	10.7 m (35 feet)
1	10.7 m (35 feet)	8.2 m (27 feet)
2	9.1 m (30 feet)	6.4 m (21 feet)
3	7.6 m (25 feet)	5.2 m (17 feet)
4	6.1 m (20 feet)	4.5 m (15 feet)
NOTE: Deduct 1.8 m (6 feet) for each additional elbow.		

Table 3

Exhaust System Maintenance

The dryer interior and the complete exhaust system should be inspected after one year of use and cleaned if necessary. Inspect and clean exhaust duct every one to two years as required thereafter. The weather hood should be checked frequently to make sure the dampers move freely, dampers are not pushed in and that nothing has been set against them. This maintenance work should be done by a qualified service person.

	WARNING
<p>To reduce the risk of electric shock, disconnect the electrical service to the dryer before cleaning.</p>	
W043	

Exhausting the dryer in hard-to-reach locations can be accomplished by installing the 521P3 Flexible Metal Vent Kit, available as optional equipment at extra cost. The kit comes in two halves that can be separately attached to the dryer and wall outlet. Once attached, the dryer can be slid back into position and the two halves can be connected from the front.

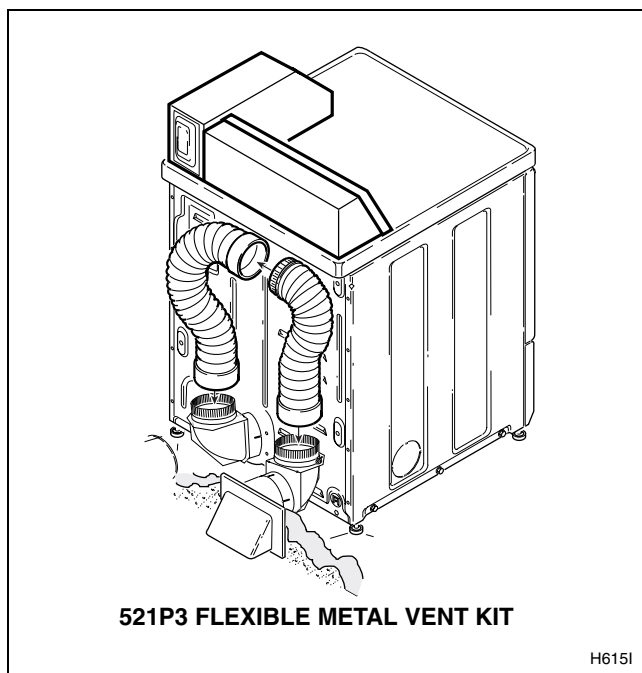


Figure 16

Dryer Airflow

Efficient dryer operation requires proper dryer airflow. Proper dryer airflow can be evaluated by measuring the static pressure.

Static pressure in the dryer's exhaust duct should be no greater than that shown in the illustration below. (Check with dryer running and no load.)

NOTE: This can be measured with a manometer placed on the exhaust duct approximately 61 cm (2 feet) from the dryer. Refer to Figure 17.

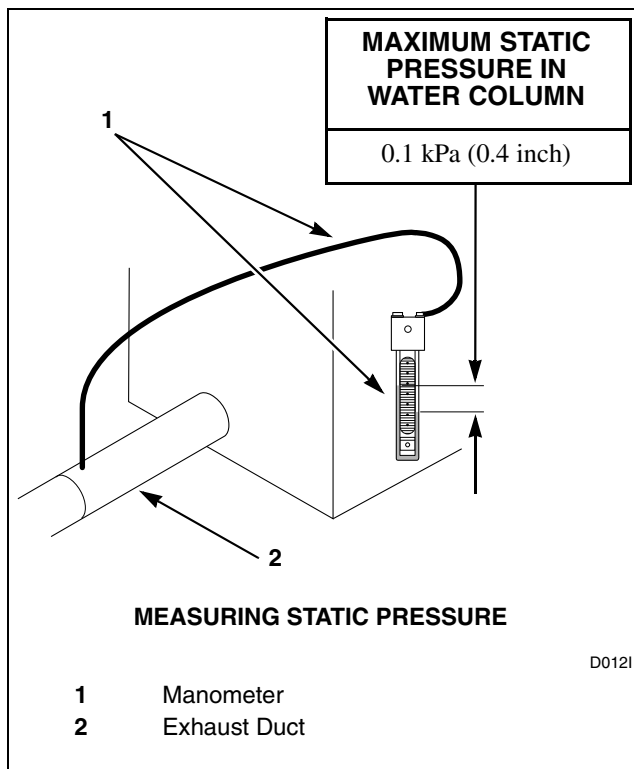


Figure 17

Maintenance

Lubrication

All moving parts are sealed in a permanent supply of lubricant or are equipped with oilless bearings. Additional lubrication will not be necessary.

Care of Your Dryer

Clean the lint filter after drying each load. The lint filter may be washed if needed. Annually remove lint filter and screw to vacuum the duct under it.

Ordinarily, the dryer cylinder will need no care.

Wipe the dryer cabinet as needed. If detergent, bleach or other washing products have been spilled on the dryer, wipe immediately. Some products will cause permanent damage if spilled on the cabinet.

Use only a damp or sudsy cloth for cleaning the control panel. Some spray prewash products may harm the finish on the control panel.

NOTE: The wiring diagram is located inside the control panel.

Exhaust System


The exhaust duct should be inspected after one year of use and cleaned if necessary. Inspect and clean exhaust duct every one to two years as required thereafter.


The weather hood should be checked frequently to make sure the dampers move freely, dampers are not pushed in and that nothing has been set against them.

Keep dryer area clear and free from combustible materials, gasoline and other flammable vapors and liquids.

Do not obstruct the flow of combustion and ventilation air.

NOTE: Verify proper operation after servicing.

	CAUTION
Label all wires prior to disconnection when servicing controls. Wiring errors can cause improper and dangerous operation.	
W049	

	WARNING
Any disassembly requiring the use of tools must be performed by a suitably qualified service person.	
W299	

Information for Handy Reference

Date Purchased _____
Model Number _____ Serial Number _____
Store Name _____
Store Address _____ Phone Number _____
Service Agency _____
Service Agency Address _____ Phone Number _____

NOTE: Record the above information and keep your sales slip. Model and serial numbers are located on the nameplate.

Customer Care Centre and Information:

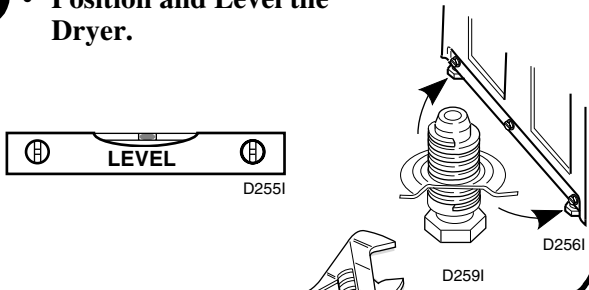
1300 652 100

Installer Checklist

Fast Track for Installing the Dryer

(Refer to the manual for more detailed information)

1 • Position and Level the Dryer.



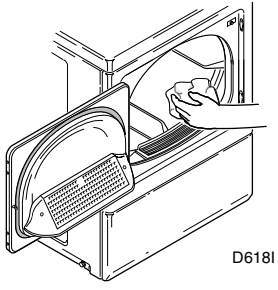
D255I

D259I

D256I

CHECK

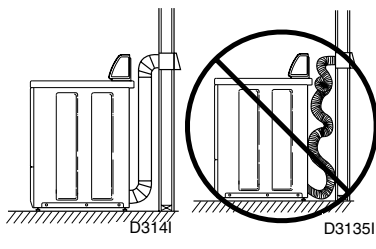
4 • Wipe Out Inside of Dryer.



D618I

CHECK

2 • Connect Dryer Exhaust System.

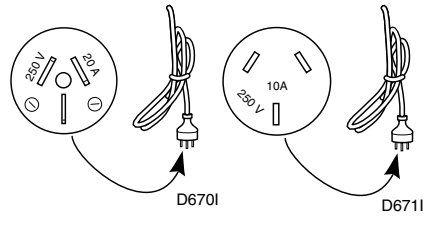


D314I

D3135I

CHECK

5 • Plug In the Dryer.



D670I

D671I

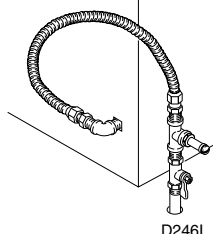
ELECTRIC

GAS

CHECK

3 — Gas Dryer Only

- Connect Gas Supply Pipe.
- Check for Gas Leaks.



D246I

CHECK