



D311E3A

Installation Instructions for Automatic Clothes Dryers

KEEP THESE INSTRUCTIONS FOR FUTURE REFERENCE. (If the dryer changes ownership, be sure this manual accompanies the dryer.)

NOTE: The electrical installation in the site shall comply with the latest edition of the Australian Electrical Standards AS3000 - SAA wiring rules and such local regulations that might apply.

The gas dryer installation must conform with the local regulations and AG601, Installation Code for Gas Burning Appliances.

Read complete Installation and Operation Instructions before using dryer.

The maximum clothes drying load (dry weight) shall not exceed 9 kg (20 pounds).

**Part No. 510955
August 1999**

Table of Contents

Replacement Parts	2
Roughing In Dimensions	3
Before You Start	
Tools	4
Exhaust	4
Electrical.....	4
Gas.....	4
Location.....	4
Installing the Dryer	
STEP 1 (Position and Level the Dryer)	5
STEP 2 (Connect Dryer Exhaust System).....	5
STEP 3 (Connect Gas Supply Pipe).....	6
STEP 4 (Wipe Out Inside of Dryer)	7
STEP 5 (Plug in the Dryer)	7
STEP 6 (Check Installation).....	7
Heat Check	8
Burner Flame	8
Reversing Door Procedure	9
Manufactured (Mobile) Home Installation	10
Electrical Requirements (Electric Dryers)	11
Electrical Requirements (Gas Dryers)	12
Gas Service	13
Location Requirements	15
Dryer Exhaust Requirements	
Exhaust System Materials	16
Make Up Air Requirements.....	16
Exhaust System	17
Exhaust Direction	17
Exhaust System Maintenance.....	18
Dryer Airflow	18
Reduced Clearance Elbow.....	18
User-Maintenance Instructions	
Lubrication	19
Care of Your Dryer	19
Exhaust System	19
Wiring Diagram (Electric Dryers)	20
Wiring Diagram (Gas Dryers)	21
Information for Handy Reference	22
Installer Check	Back Cover



WARNING

FOR YOUR SAFETY, the information in this manual must be followed to minimize the risk of fire or explosion or to prevent property damage, personal injury or death.

W033

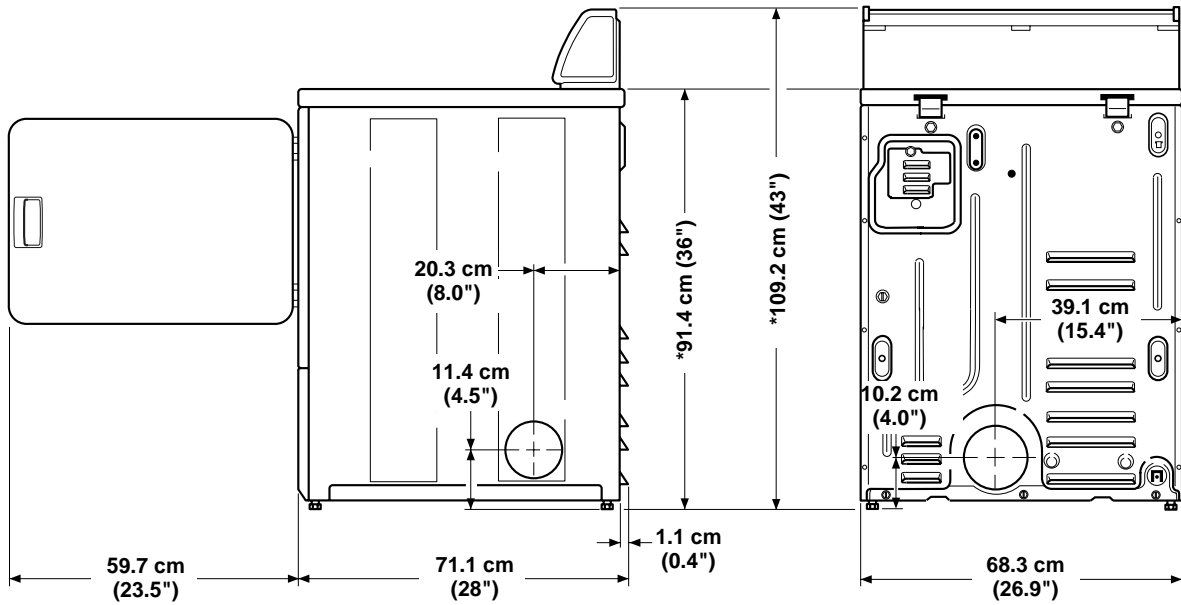
- Do not store or use gasoline or other flammable vapors and liquids in the vicinity of this or any other appliance.
- **WHAT TO DO IF YOU SMELL GAS:**
 - Do not try to light any appliance.
 - Do not touch any electrical switch; do not use any phone in your building.
 - Clear the room, building or area of all occupants.
 - Immediately call your gas supplier from a neighbor's phone. Follow the gas supplier's instructions.
 - If you cannot reach your gas supplier, call the fire department.
- Installation and service must be performed by a qualified installer, service agency or the gas supplier.

W052

Replacement Parts . . .

If replacement parts are required, contact the source where you purchased your dryer.

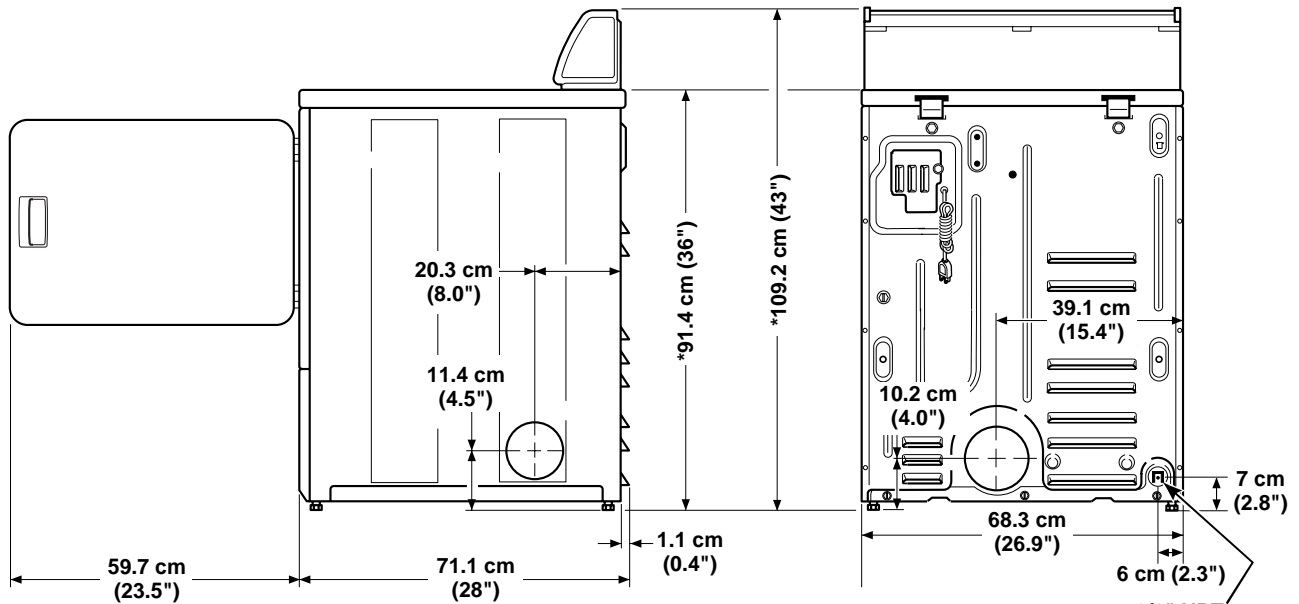
Roughing In Dimensions . . .



* WITH LEVELING LEGS TURNED INTO BASE

D616IE2A

ELECTRIC DRYERS



* WITH LEVELING LEGS TURNED INTO BASE

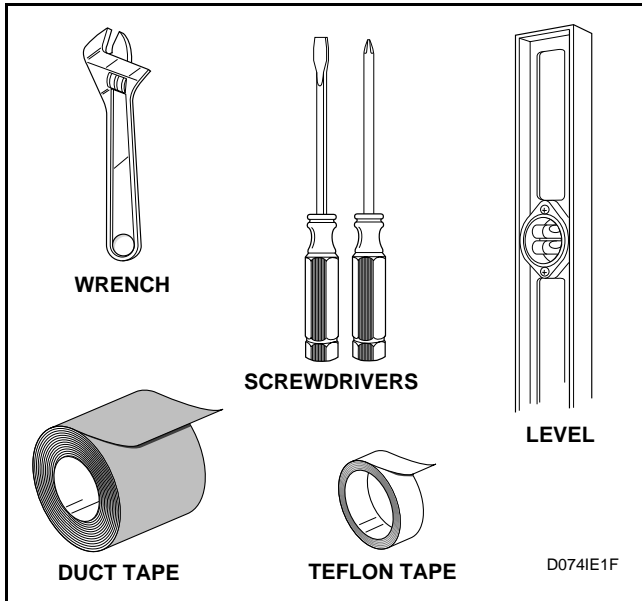
D617IE2A

GAS DRYERS

Before You Start . . .

Tools

For most installations, the basic tools you will need are:



Electrical

- **ELECTRIC DRYER**
Dryer needs a 2 wire plus earth, 250 Volt, 50 Hertz, 20 Amp, single phase electrical supply.
- **GAS DRYER**
Dryer needs a 2 wire plus earth, 250 Volt, 50 Hertz, 10 Amp, single phase electrical supply.

NOTE: For more detailed information, refer to Section on *Electrical Requirements*.

Gas

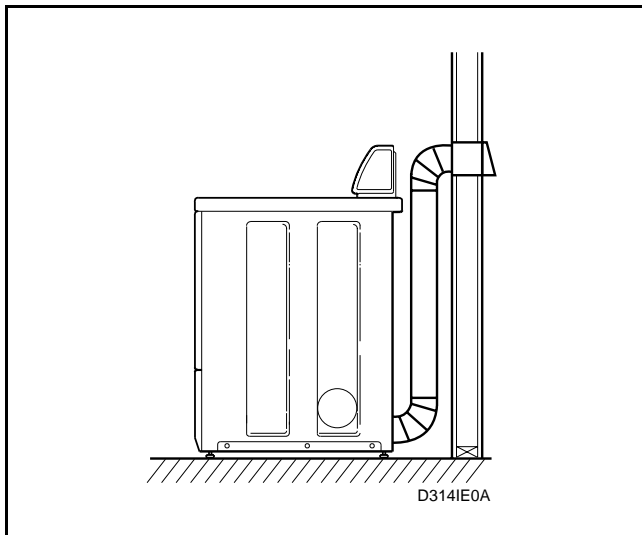
Dryer is equipped for Natural Gas with a 3/8" NPT gas supply connection. For more detailed information, refer to Section on *Gas Requirements*.

Location

Place the dryer on a solid floor with an adequate air supply. For more detailed information, refer to Section on *Location Requirements*.

Exhaust

Use rigid metal duct and exhaust the dryer to the outside by the shortest route possible.



NOTE: For more detailed information, refer to Section on *Dryer Exhaust Requirements*.

Installing the Dryer . . .

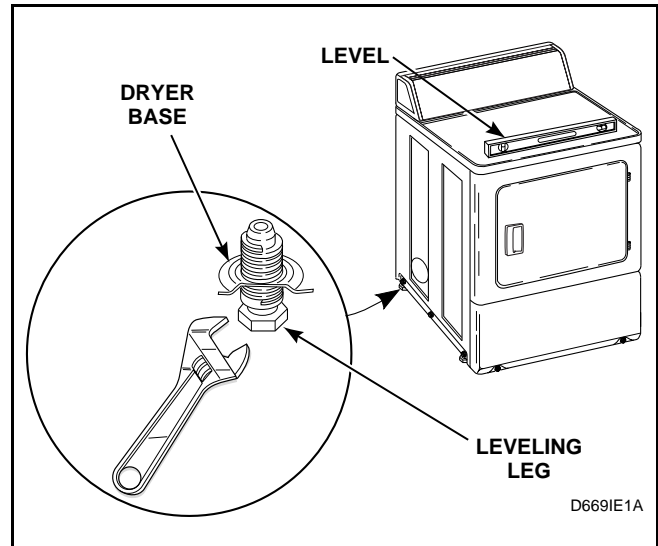
Step 1:

Position and Level the Dryer

For further assistance refer to Section on *Location Requirements*.

Install dryer before washer. This allows room for attaching exhaust duct.

Place the dryer in position, and adjust the legs until the dryer is level from side to side and front to back.



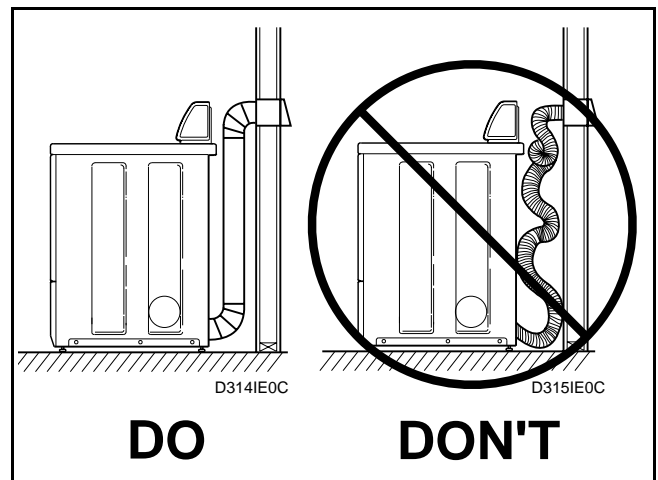
Step 2:

Connect Dryer Exhaust System

For further assistance refer to Sections on *Location Requirements* and *Dryer Exhaust Requirements*.

	WARNING
<p>A clothes dryer produces combustible lint. To reduce the risk of fire and combustion gas accumulation the dryer MUST be exhausted to the outdoors.</p>	
<small>W116</small>	

- DO NOT use plastic or thin foil flexible ducting.
- Locate dryer so exhaust duct is as short as possible.
- Be certain old ducts are cleaned before installing your new dryer.
- Use 4" (10.2 cm) diameter rigid or flexible metal duct.
- The male end of each section of duct must point away from the dryer.
- Use as few elbows as possible.
- Use duct tape on all duct joints.
- Ductwork that runs through unheated areas must be insulated to help reduce condensation and lint build-up on pipe walls.
- **Failure to exhaust dryer properly will void warranty.**



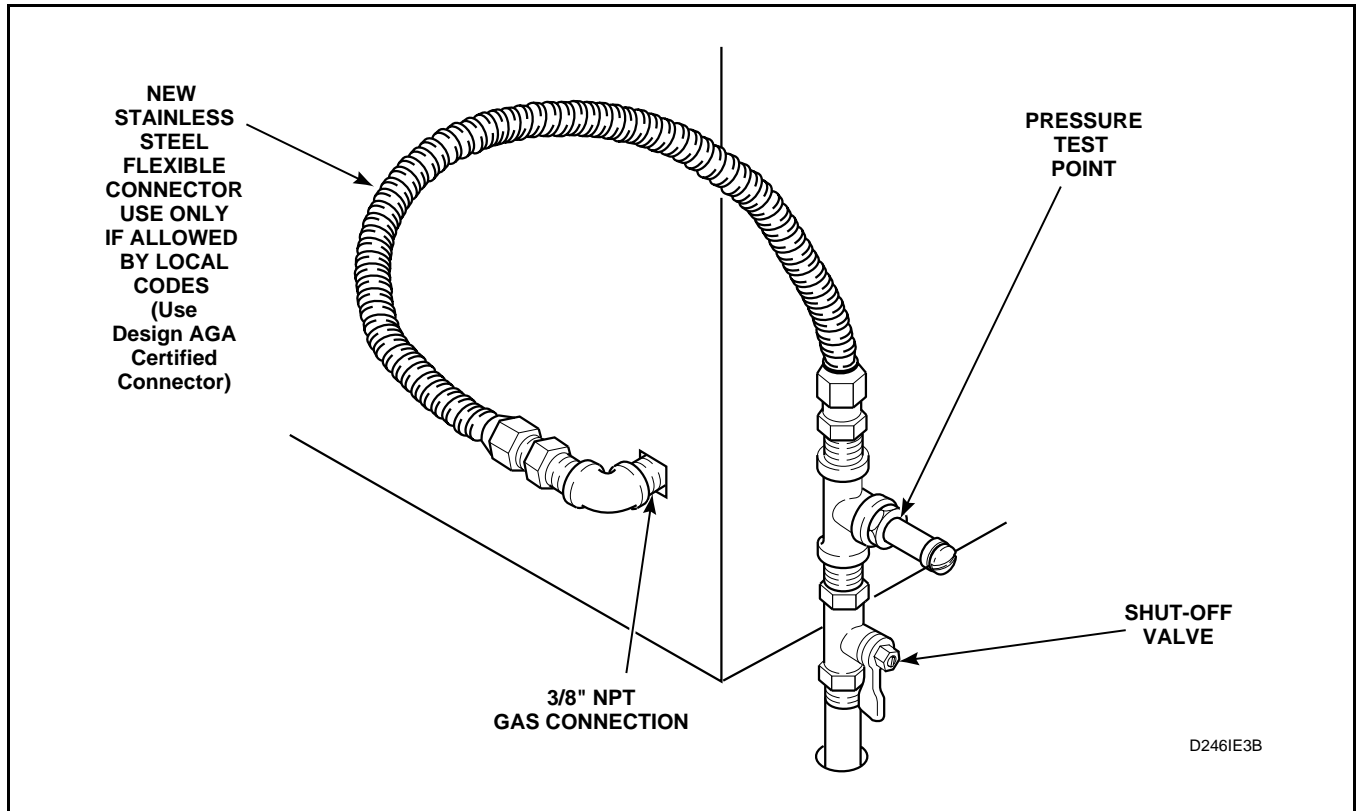
NOTE: Venting materials are not supplied with the dryer (obtain locally).

Step 3: (Gas Dryer ONLY)

Connect Gas Supply Pipe

For further assistance, refer to Section on *Gas Requirements*.

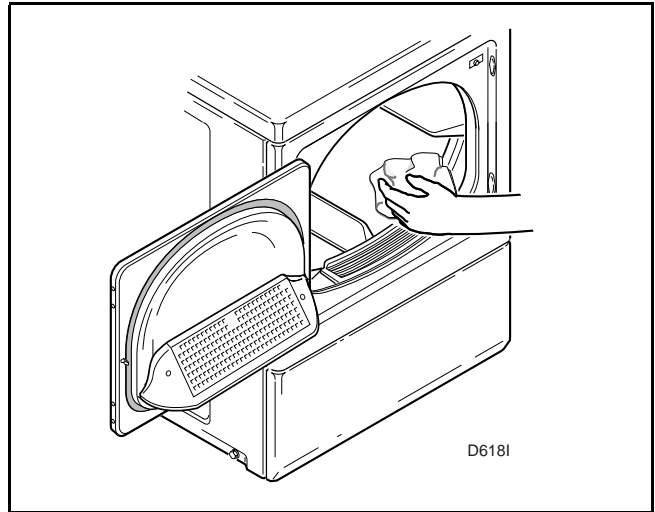
1. Make certain your dryer is equipped for use with the type of gas in your laundry room. Dryer is equipped at the factory for **Natural Gas** with a 3/8" NPT gas connection.
2. Remove the shipping cap from the gas connection at the rear of the dryer. Make sure you do not damage the pipe threads when removing the cap.
3. Connect to gas supply pipe.
4. Tighten all connections securely. Turn on gas and check all pipe connections (internal & external) for gas leaks with a non-corrosive leak detection fluid.
5. For L.P. (propane) gas connection, refer to Section on *Gas Requirements*.



Step 4:

Wipe Out Inside Of Dryer

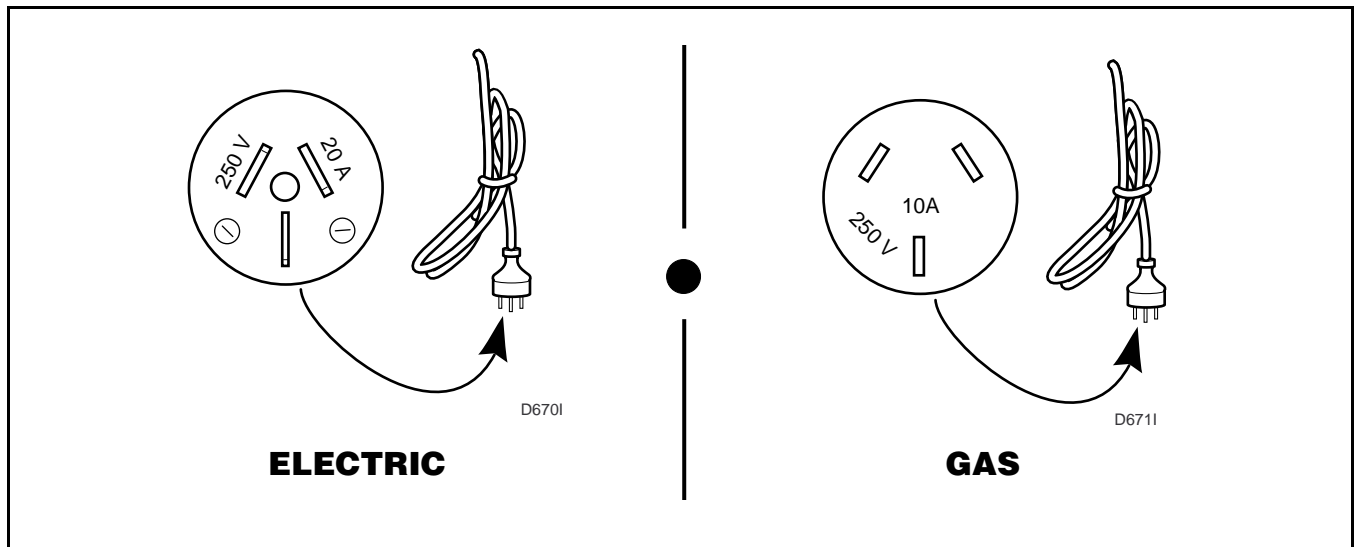
Before using dryer for the first time, use an all-purpose cleaner, or a detergent and water solution, and a damp cloth to remove shipping dust from inside dryer drum.



Step 5:

Plug in the Dryer

Refer to Section on *Electrical Requirements*, and connect the dryer to an electrical power source.



Step 6:

Check Installation

Refer to *Installer Check* on the back cover of this manual and make sure that dryer is installed correctly.

Heat Check . . .

(Electric Dryers)

Close the loading door and start the dryer in a heat setting (refer to the Operating Instructions supplied with the dryer). After the dryer has operated for three

minutes, the exhaust air or exhaust pipe should be warm.

Burner Flame . . .

(Gas Dryers)

IMPORTANT: This operation to be conducted by qualified personnel only.

To view the burner flame, remove the lower front panel of the dryer.

Close the loading door, start the dryer in a heat setting (refer to the Operating Instructions supplied with the dryer); the dryer will start, the igniter will glow red and the main burner will ignite.


IMPORTANT: If ignitor is not lit, make sure gas is turned on.

IMPORTANT: If all air is not purged out of gas line, gas igniter may go off before gas is ignited. If this happens, after approximately one minute, igniter will again attempt gas ignition. If ignition does not occur after the fourth ignition attempt, the control will lock out and red light will flash (see figure at right). If lockout occurs, open loading door for one minute to reset control. When control is properly reset, flashing will stop.

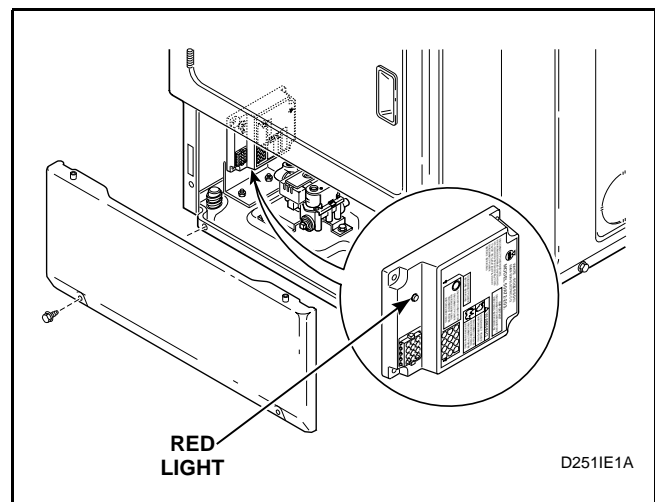
After the dryer has operated for approximately five minutes, observe burner flame through lower front panel. Adjust the air shutter to obtain a soft, uniform blue flame. (A lazy, yellow-tipped flame indicates lack of air. A harsh, roaring, very blue flame indicates too much air.) Adjust the air shutter as follows:

- Loosen the air shutter lockscrew.
- Turn the air shutter to the left to get a luminous yellow-tipped flame, then turn it back slowly to the right to obtain a steady, soft blue flame.

- After the air shutter is adjusted for proper flame, tighten the air shutter lockscrew securely.
- Reinstall the lower front panel.

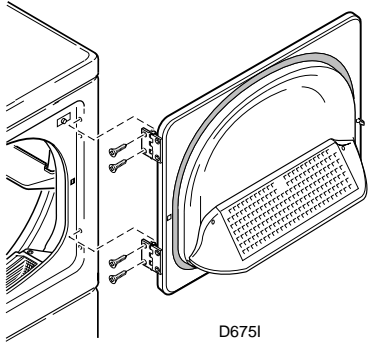
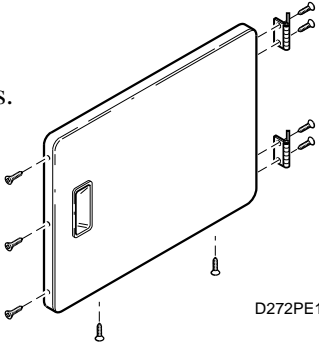
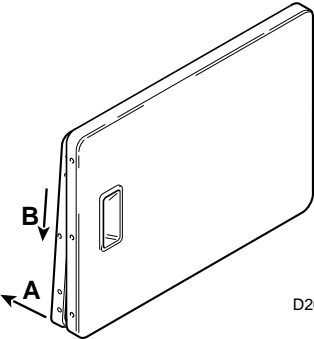
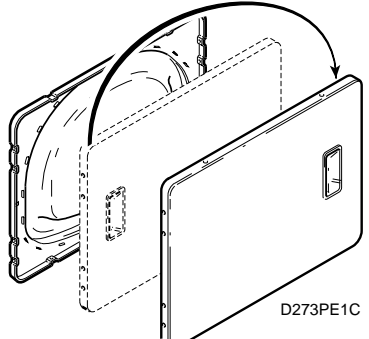
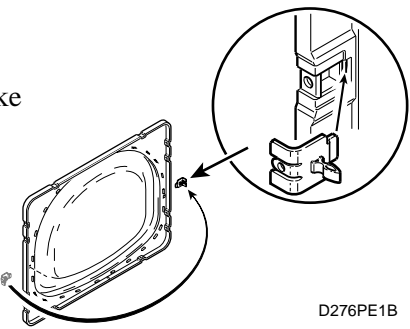
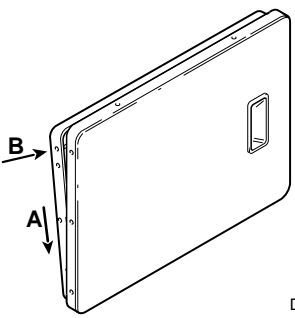
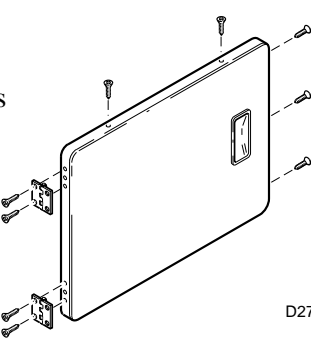
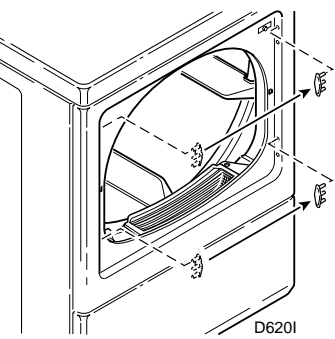
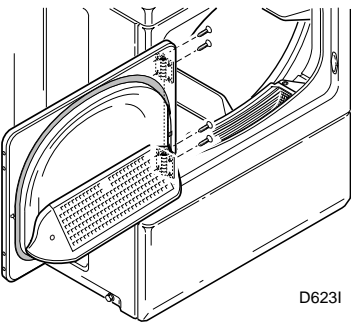
	WARNING
To reduce the risk of serious injury or death, the lower front panel must be in place during normal operation.	
<small>W158</small>	

After the dryer has operated for approximately three minutes, exhaust air or exhaust pipe should be warm.



Reversing Door Procedure . . .

The door on this dryer is completely reversible. To reverse door proceed as follows:


<p>1</p> <p>Remove four hinge attaching screws.</p>  <p>D675I</p>	<p>2</p> <p>Remove all nine screws.</p>  <p>D272PE1A</p>
<p>3</p> <p>Pull bottom of door liner out, then pull down, removing door liner from door panel.</p>  <p>D268PE1A</p>	<p>4</p> <p>Rotate door panel 180 degrees as shown.</p>  <p>D273PE1C</p>
<p>5</p> <p>Remove door strike from door liner and reinstall on opposite side.</p>  <p>D276PE1B</p>	<p>6</p> <p>Insert liner under flange on bottom of door, then push top of door liner into place.</p>  <p>D269PE1C</p>
<p>7</p> <p>Reinstall nine screws removed in Step 2.</p>  <p>D270PE1B</p>	<p>8</p> <p>Using a screwdriver, remove two door plugs, and reinstall on opposite side of door opening.</p>  <p>D620I</p>
<p>9</p> <p>Reinstall four hinge attaching screws removed in Step 1.</p>  <p>D623I</p>	

Manufactured (Mobile) Home Installation . . .

IMPORTANT: Installation must conform to the Manufactured Home Construction and Safety Standards, Title 24 CFR, Part 32-80 or Standard CAN/CSA-Z240 MH.


The dryer can be installed in a manufactured (mobile) home by following these instructions:

- 1. IMPORTANT: Gas dryers MUST be permanently attached to the floor at the time of installation. Order No. 526P3 Dryer Installation Kit for a manufactured (mobile) home installation. Follow the instructions supplied with the kit.**
2. Venting—Dryer MUST be exhausted to the outdoors.

	WARNING
To reduce the risk of fire and combustion gas accumulation, the dryer MUST BE EXHAUSTED TO THE OUTDOORS. Refer to Section on Dryer Exhaust Requirements.	
<small>W047</small>	

- The dryer can be exhausted to the outdoors through the back, left, right or bottom panel. Gas dryers cannot be exhausted out the left side because of the burner housing.
- The dryer exhaust duct must be secured to the mobile home structure.
- Exhaust ducts MUST NOT be connected with sheet metal screws or fasteners which extend into the duct.

- Exhaust duct must not be connected to any other duct, vent or chimney.
- Dryer exhaust duct MUST NOT terminate under the mobile home.
- For proper operation, it is important that the dryer has an ample amount of outside make-up air. The free area of any opening for the introduction of outside air must be at least 25 in² (163 cm²).
- When exhausting the dryer to the outdoors, the dryer can be installed with “0” inch clearance at the sides and rear. Clearance of the duct from combustible construction must be a minimum of 2 inches (5.08 cm).
- Venting materials are not supplied with the dryer (obtain locally).

	WARNING
To reduce the risk of fire, the exhaust duct and weather hood MUST be fabricated of a material that will not support combustion. Rigid or flexible metal pipe is recommended for a clothes dryer.	
<small>W048</small>	

Electrical Requirements . . .

(Electric Dryers)

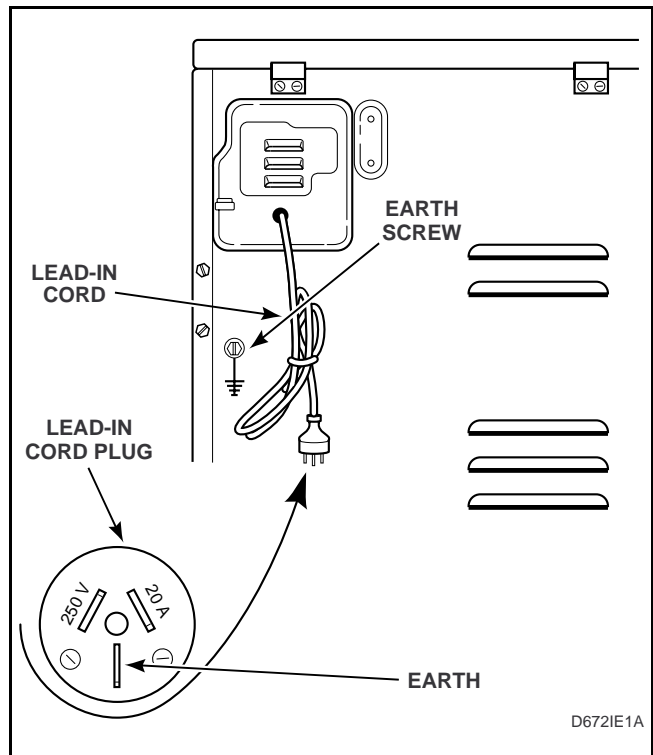
NOTE: The wiring diagram is located inside the control hood.

IMPORTANT: The electrical installation in the site shall comply with the latest edition of Australian Electrical Standards, AS3000, SAA wiring rules, and such local regulations that might apply.

This dryer is designed to be operated on a two wire, plus earth, 240 Volt, 50 Hertz, single phase circuit, fused at 20 amperes.

Insert the dryer's lead-in cord plug into an earthing three-slot-plus earth, wall receptacle on a separate circuit. **DO NOT OPERATE OTHER APPLIANCES ON THE SAME CIRCUIT WHEN THE DRYER IS OPERATING. DO NOT USE AN EXTENSION CORD.**

If the supply cord is damaged, it must be replaced by a special cord or assembly available from the manufacturer or its service agent.



Electrical Requirements . . .

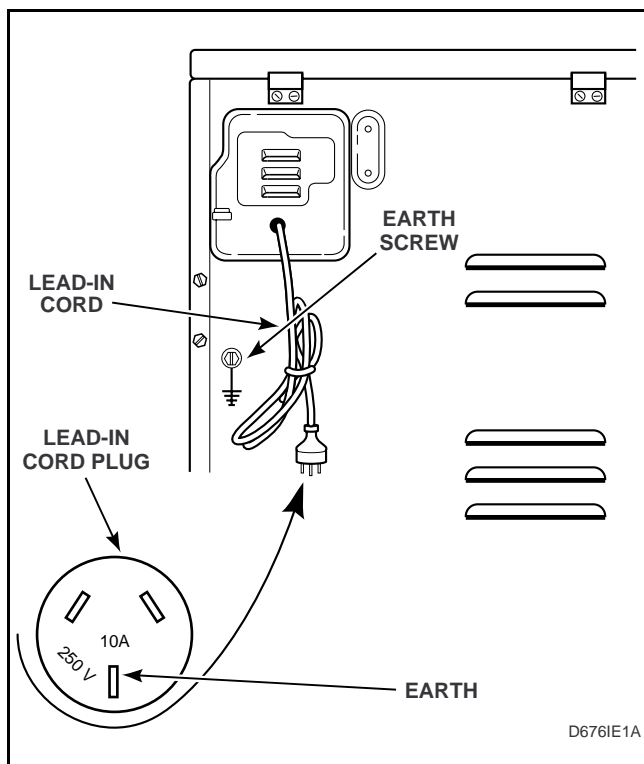
(Gas Dryers)

NOTE: The wiring diagram is located inside the control hood.

IMPORTANT: The electrical installation in the site shall comply with the latest edition of Australian Electrical Standards, AS3000, SAA wiring rules, and such local regulations that might apply.

This dryer is designed to be operated on a two wire, plus earth, 240 Volt, 50 Hertz, single phase circuit, fused at 10 amperes.

Insert the dryer's lead-in cord plug into an earthing three-slot wall receptacle on a separate circuit. DO NOT OPERATE OTHER APPLIANCES ON THE SAME CIRCUIT WHEN THE DRYER IS OPERATING. DO NOT USE AN EXTENSION CORD.



Earthing Instructions

The dryer must be earthed. In the event of malfunction or breakdown, earthing will reduce the risk of electric shock by providing a path of least resistance for electric current. The dryer is equipped with a cord having an equipment-earthing conductor and a 3-prong earthing plug. The plug must be plugged into an appropriate outlet that is properly installed and earthed in accordance with local codes and ordinances.



WARNING

Improper connection of the equipment-earthing conductor can result in a risk of electric shock. Check with a qualified electrician or serviceman if you are in doubt as to whether the dryer is properly earthed.

W159

Do not modify the plug provided with the dryer—if it will not fit the outlet, have a proper outlet installed by a qualified electrician.

If your home's electrical supply does not meet the above specifications and/or you are not sure your home has an effective earth, have a qualified electrician or your local electrical utility company check it and correct any problems.

If the supply cord is damaged, it must be replaced by a special cord or assembly available from the manufacturer or its service agent.

Gas Service . . .

(Gas Dryers)

NOTE: The gas service to a gas dryer must conform with the local codes and ordinances and AG601, Installation Code for Gas Burning Appliances. In the absence of local codes and ordinances, applicable National codes should be followed.

Connection of Gas Supply Pipe

1. Install the dryer with sufficient clearance for adequate air circulation, and for the ease of the dryer installation, servicing and operation. For maximum drying performance, we recommend you allow more clearance than the clearances that are listed throughout this manual.
2. Remove the shipping cap from the gas connection at the rear of the dryer. Make sure you do not damage the pipe threads when removing the cap.
3. Make certain your dryer is equipped for use with the type of gas in your laundry room.

NOTE: Natural gas, 1,000 Btu/ft³ (37.3 MJ/m³), service must be supplied at 6.5 ± 1.5 inch (1.6 ± .4 kPa) water column pressure. Do not connect the dryer to L.P. (propane) gas service without converting the gas valve. A No. 401P3 L.P. (propane) Gas Conversion Kit must be installed by the Manufacturer's Authorized Dealers, Distributors, or local service personnel.


NOTE: L.P. (propane) gas, 2,500 Btu/ft³ (93.1 MJ/m³), service must be supplied at 10 ± 1.5 inch (2.5 ± .4 kPa) water column pressure and a vent to the outdoors must be provided.

4. If local codes allow the use of flexible gas tubing, connect the 3/8 inch NPT (National Pipe Thread) gas connection at the rear of the dryer to the laundry room's gas line with new flexible stainless steel tubing (using design certified Australian Gas Association connector only).

IMPORTANT: Use local codes of practice for gas installation.

This dryer is equipped with jet for Natural gas.

Gas Consumption	Natural	21.9 MJ
	L.P. (propane)	21.9 MJ
Gas Pressure	Natural	0.88 kPa
	L.P. (propane)	2.75 kPa

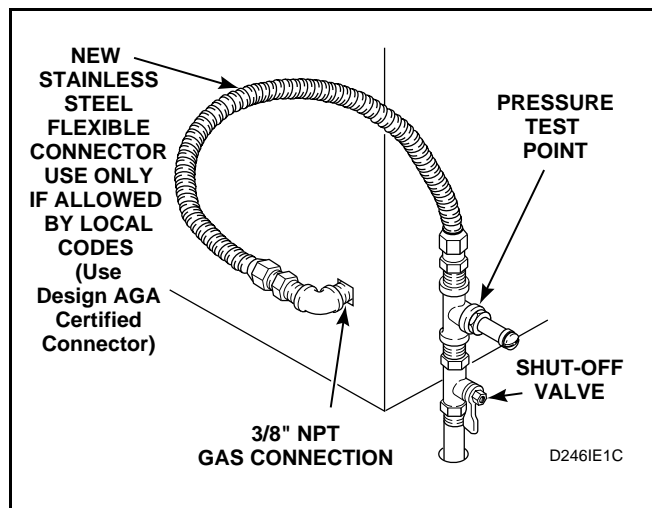


WARNING

To reduce the risk of gas leaks, fire or explosion:

- The dryer must be connected to the type of gas as shown on nameplate located in the door recess.
- Use a new flexible stainless steel connector.
- Use pipe joint compound insoluble in LP (propane) Gas, or Teflon tape, on all pipe threads.
- Purge air and sediment from gas supply line before connecting it to the dryer. Before tightening the connection, purge remaining air from gas line to dryer until odor of gas is detected. This step is required to prevent gas valve contamination.
- Do not use an open flame to check for gas leaks. Use a non-corrosive leak detection fluid.

W114R1



NOTE: When connecting gas supply line, a pressure test point must be installed downstream from the shutoff valve for checking inlet gas pressure.

- The gas line to your laundry room should be made of black iron pipe. A 3/8 inch (9.5 mm) pipe with an inside diameter of .46" (11.7 mm) will be adequate if length of supply line is not over 20 feet (6 m). If length exceeds this, use 1/2" (12.7 mm) pipe. If copper semi-rigid tubing is used it must be internally tinned or equivalently treated to resist sulfur corrosion.

NOTE: The dryer and its appliance main gas valve must be disconnected from the gas supply piping system during any pressure testing of that system at test pressures in excess of 1/2 psig (3.45 kPa).

The dryer must be isolated from the gas supply piping system by closing the equipment shutoff valve during any pressure testing of the gas supply piping system at test pressure equal to or less than 1/2 psig (3.45 kPa).

- Check all pipe connections (internal and external) for gas leaks with a soapy solution. Gas connections should be checked annually for leakage.
- Be sure the shut off valve in your dryer is OPEN. Your dryer is shipped with the valve open.
- The dryer gas valve is equipped with a pressure test point for checking manifold pressure.

For proper operation at altitudes above 3,000 feet (915 m) the natural gas valve spud orifice size must be reduced to ensure complete combustion. See table below.

Natural Gas Altitude Adjustments					
Altitude		Orifice Size			Part Number
ft	m	#	Inches	mm	
3000	915	43	0.0890	2.26	503778
6000	1830	44	0.0860	2.18	58719
8000	2440	45	0.0820	2.08	503779
9000	2740	46	0.0810	2.06	503780
10000	3050	47	0.0785	1.99	503781

Location Requirements . . .

Select a location with a solid floor.

No other fuel burning appliance should be installed in the same closet with the dryer.

The dryer must not be installed or stored in an area where it will be exposed to water and/or weather.

Leveling legs can be adjusted from inside the dryer

with a 1/4" driver. All four legs must rest firmly on the floor so the weight of the dryer is evenly distributed. The dryer must not rock.

The dryer needs sufficient clearance and an adequate air supply for proper operation and ventilation, and for easier installation and servicing. (Minimum clearances are shown below.)

FRONT VIEW (w/o Closet Door)

SIDE VIEW

FRONT VIEW (Closet Door)

OUTER WALL OF ENCLOSURE

CENTERED AIR OPENINGS (G) (2 Openings Minimum)


D3171E3A

AREA	DESCRIPTION	FREE STANDING / ALCOVE INSTALLATION (See Illustration)	CLOSET INSTALLATION (See Illustration)
A	Dryer sides and rear clearance	0" (0 cm)	0" (0 cm)
B	Dryer top clearance	12" (30.5 cm)	12" (30.5 cm)
C	Dryer front clearance	Not Applicable	2" (5.1 cm)
D	Exhaust duct clearance to combustible material	2" (5.1 cm)	2" (5.1 cm)
E	Weather hood to ground clearance	12" (30.5 cm)	12" (30.5 cm)
F	Distance from floor or ceiling to hole edge	Not Applicable	3" (7.6 cm)
G*	Area of centered air openings in closet door	Not Applicable	40 sq. in./open (260 sq. cm)

*Louvered door with equivalent air openings is acceptable. (Minimum clearances are shown.)

**** NOTE: For new installations, locate top of wall vent 42 inches above floor to make venting easier to connect.**

Dryer Exhaust Requirements . . .

	WARNING
<p>A clothes dryer produces combustible lint. To reduce the risk of fire and combustion gas accumulation the dryer MUST be exhausted to the outdoors.</p> <p style="text-align: right;">W116</p>	
<p>This gas appliance contains or produces a chemical or chemicals which can cause death or serious illness and which are known to the State of California to cause cancer, birth defects, or other reproductive harm. To reduce the risk from substances in the fuel or from fuel combustion, make sure this appliance is installed, operated, and maintained according to the instructions in this manual.</p> <p style="text-align: right;">W115</p>	
<p>To reduce the risk of fire and the accumulation of combustion gases, DO NOT exhaust dryer air into a window well, gas vent, chimney or enclosed, unventilated area, such as an attic, wall, ceiling, crawl space under a building or concealed space of a building.</p> <p style="text-align: right;">W045</p>	
<p>To reduce the risk of fire, DO NOT use plastic pipe or flexible plastic pipe to exhaust the dryer.</p> <p style="text-align: right;">W041</p>	

Exhaust System Materials

Exhaust duct must be four inches (10.2 cm) in diameter having no obstructions. Rigid metal duct is recommended. Non-combustible semi-rigid flexible metal duct is acceptable. **Do not use** plastic pipe or flexible plastic pipe, because it contributes to poor drying performance and collects lint, which can lead to a fire hazard.

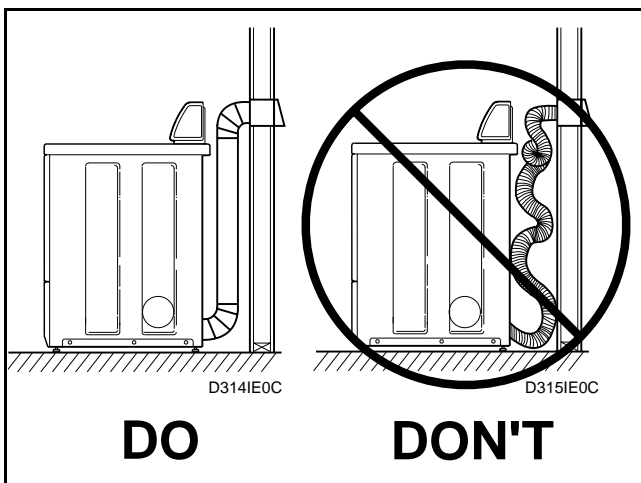
DO NOT use sheet metal screws on exhaust pipe joints or other fastening means which extend into the duct that could catch lint and reduce the efficiency of the exhaust system. Secure all joints with duct tape.

Make-Up Air Requirements

For proper operation it is important that you locate the dryer in an area that has an ample amount of make-up air to replace the amount exhausted by the dryer.

Energy efficient homes with low air infiltration rates should be equipped with an air exchanger that can accommodate on demand make-up air needs in the home. These devices can be obtained through your building contractor or building material suppliers.

Never install flexible duct in concealed spaces, such as a wall or ceiling.



Exhaust System

IMPORTANT: Keep exhaust duct as short as possible.

NOTE: Be certain old ducts are cleaned before installing your new dryer.

For best drying results, recommended maximum length of exhaust system is shown in table below.

To prevent backdraft when dryer is not in operation, outer end of exhaust pipe must have a weather hood with hinged dampers (obtain locally).

NOTE: Weather hood should be installed at least 12 inches (30.5 cm) above the ground. Larger clearances may be necessary for installations where heavy snowfall can occur.

Exhaust Direction

The dryer can be exhausted to the outdoors through the back, left, right or bottom of the dryer. **EXCEPTION: Gas dryers cannot be vented out the left side because of the burner housing.**

Dryer is shipped from factory ready for rear exhaust; **no kits required.**

Exhausting the dryer through sides or bottom can be accomplished by installing a DK1 Sales Accessory (Directional Exhaust Kit 528P3) available as optional equipment at extra cost.

IMPORTANT: Do not block the airflow at the bottom of the dryer's front panel with laundry, rugs, etc. Blockage will decrease airflow through the dryer, thus reducing the efficiency of the dryer.



Number of 90° Elbows	Weather Hood Type	
	Recommended	Use only for short run installations
	<p style="text-align: center;">4" (10.2 cm) D6731E1A</p>	<p style="text-align: center;">2-1/2" (6.35 cm) D0111E2E</p>
	Maximum length of 4" (10.2 cm) diameter rigid metal duct.	
0	65 feet (19.8 m)	55 feet (16.8 m)
1	55 feet (16.8 m)	47 feet (14.3 m)
2	47 feet (14.3 m)	41 feet (12.5 m)
3	36 feet (11.0 m)	30 feet (9.1 m)
4	28 feet (8.5 m)	22 feet (6.7 m)
	Maximum length of 4" (10.2 cm) diameter flexible metal duct.	
0	45 feet (13.7 m)	35 feet (10.7 m)
1	35 feet (10.7 m)	27 feet (8.2 m)
2	30 feet (9.1 m)	21 feet (6.4 m)
3	25 feet (7.6 m)	17 feet (5.2 m)
4	20 feet (6.1 m)	15 feet (4.5 m)

NOTE: Deduct 6 feet (1.8 m) for each additional elbow.

Exhaust System Maintenance

The dryer interior and the complete exhaust system should be inspected after one year of use and cleaned if necessary. Inspect and clean exhaust duct every one to two years as required thereafter. The weather hood should be checked frequently to make sure the dampers move freely, dampers are not pushed in and that nothing has been set against them. This maintenance work should be done by a qualified service person.

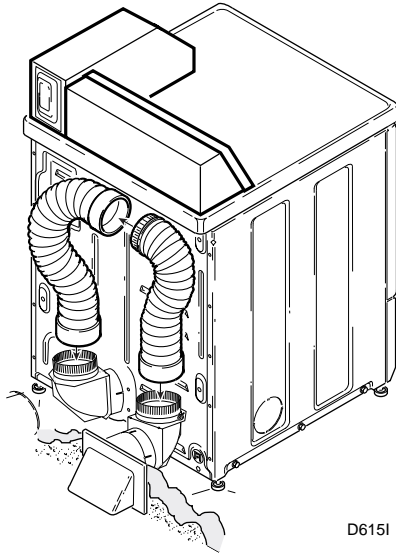


WARNING

To reduce the risk of electric shock, disconnect the electrical service to the dryer before cleaning.

W043

Exhausting the dryer in hard-to-reach locations can be accomplished by installing the 521P3 Flexible Metal Vent Kit, available as optional equipment at extra cost. The kit comes in two halves that can be separately attached to the dryer and wall outlet. Once attached, the dryer can be slid back into position and the two halves can be connected from the front.



D615I

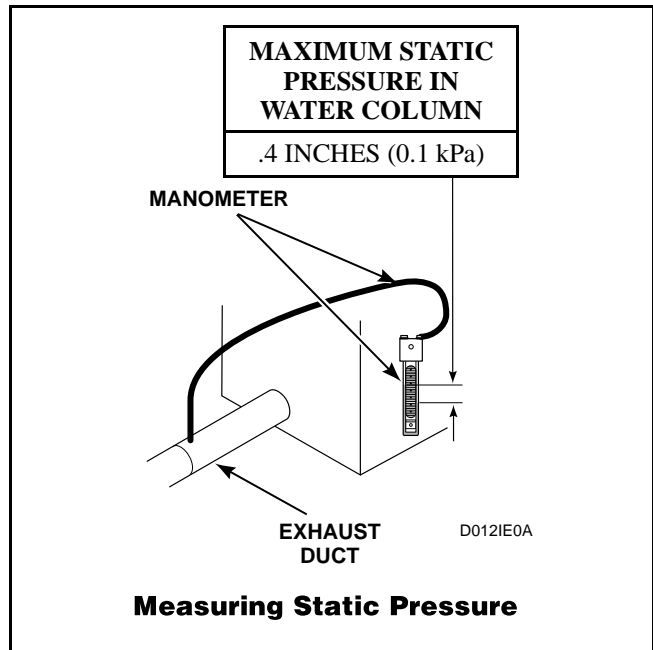
521P3 Flexible Metal Vent Kit

Dryer Airflow

Efficient dryer operation requires proper dryer airflow. Proper dryer airflow can be evaluated by measuring the static pressure.

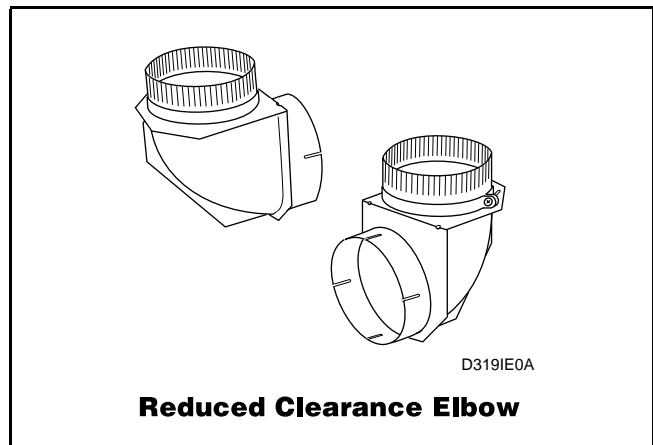
Static pressure in the dryer's exhaust duct should be no greater than that shown in the chart below. (Check with dryer running and no load.)

NOTE: This can be measured with a manometer placed on the exhaust duct approximately two feet (61 cm) from the dryer, see illustration below.



Reduced Clearance Elbow

Installing the dryer in shallow closets can be accomplished by using an Elbow, Part No. 62688, which is one inch narrower than a standard venting elbow.



User-Maintenance Instructions . . .

Lubrication

All moving parts are sealed in a permanent supply of lubricant or are equipped with oilless bearings. Additional lubrication will not be necessary.

Care of Your Dryer

Clean the lint filter after drying each load. The lint filter may be washed if needed. Annually remove lint filter and screw to vacuum the duct under it.

Ordinarily, the dryer cylinder will need no care.

Wipe the dryer cabinet as needed. If detergent, bleach or other washing products have been spilled on the dryer, wipe immediately. Some products will cause permanent damage if spilled on the cabinet.

Do not allow sharp or rough objects to lean against the dryer. The finish could be damaged.

Use only a damp or sudsy cloth for cleaning the control panel. Some spray prewash products may harm the finish on the control panel.

NOTE: The wiring diagram is located inside the control panel.



CAUTION

Label all wires prior to disconnection when servicing controls. Wiring errors can cause improper and dangerous operation.

W049

Exhaust System

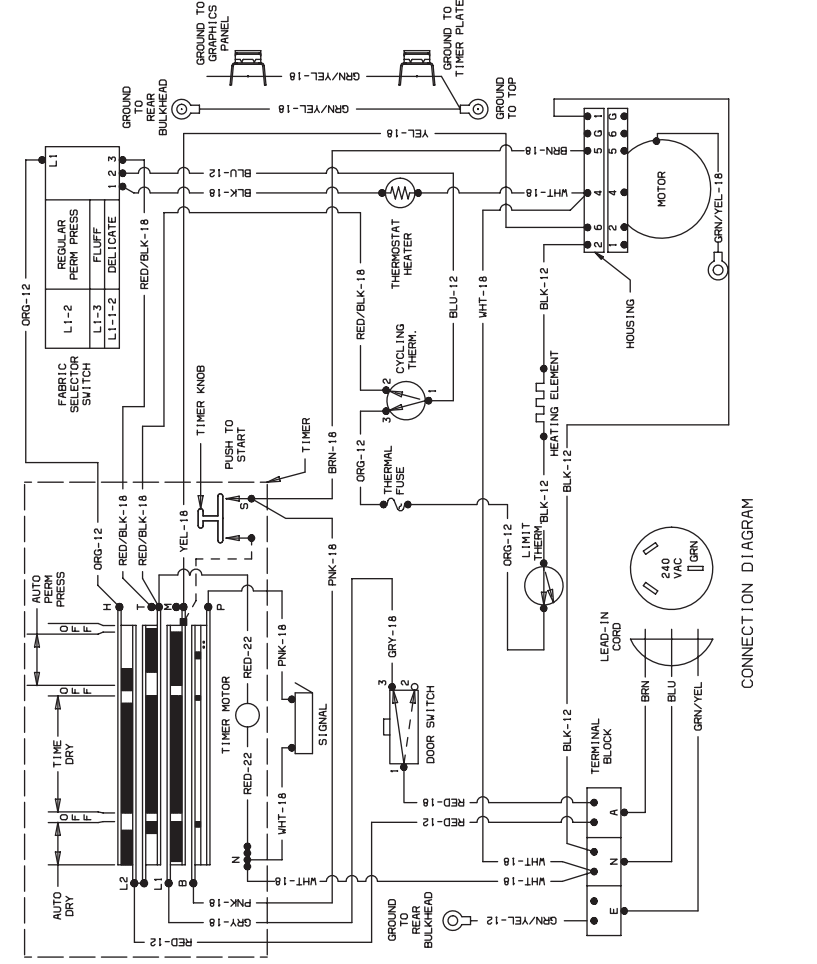
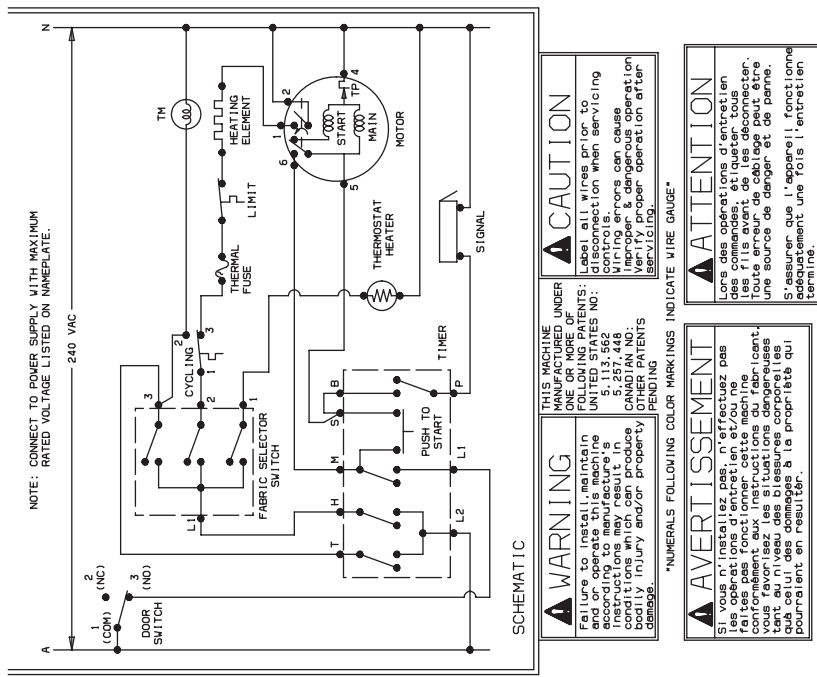
The exhaust duct should be inspected after one year of use and cleaned if necessary. Inspect and clean exhaust duct every one to two years as required thereafter.

The weather hood should be checked frequently to make sure the dampers move freely, dampers are not pushed in and that nothing has been set against them.

Keep dryer area clear and free from combustible materials, gasoline and other flammable vapors and liquids.

Do not obstruct the flow of combustion and ventilation air.

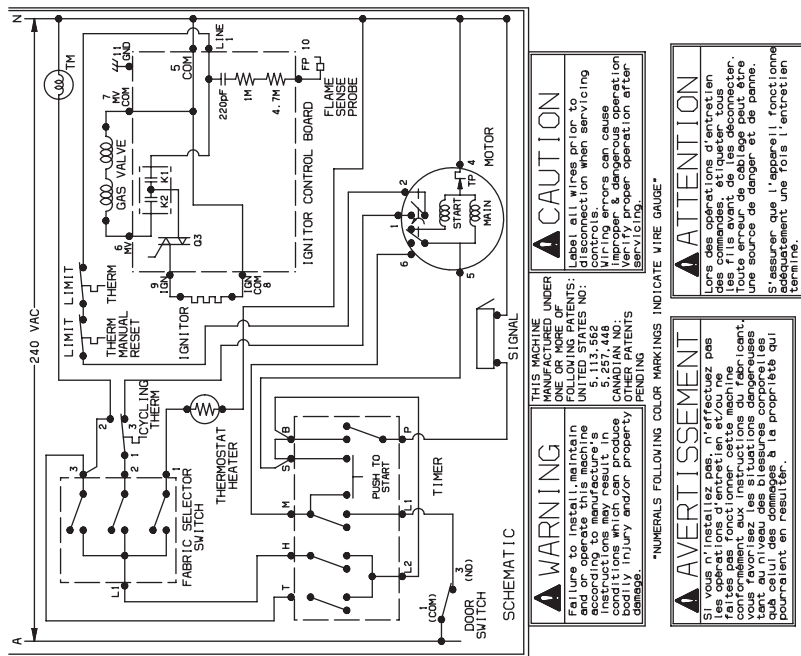
NOTE: Verify proper operation after servicing.



Wiring Diagram

(Electric Dryer)

PART NO. 510834

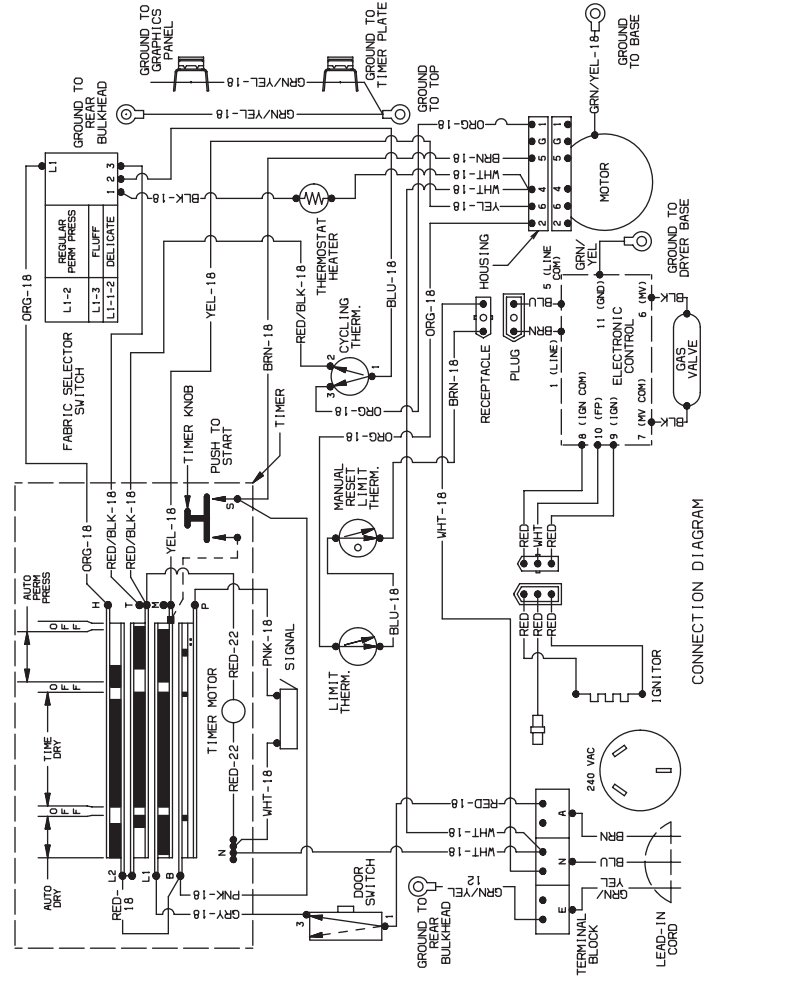


WARNING
 This machine contains a main spring loaded door latch which is subject to wear and tear. If the door latch is not properly adjusted, it may cause the door to open during operation, resulting in bodily injury and/or property damage.

CAUTION
 This machine is subject to electrical shock. Do not touch the controls when servicing. Verify proper operation after servicing.

THIS MACHINE MANUFACTURED UNDER ONE OR MORE OF THE PATENTS OF THE UNITED STATES NO: 5,113,562; 5,057,748; 5,057,749; 5,057,750; 5,057,751; 5,057,752; 5,057,753; 5,057,754; 5,057,755; 5,057,756; 5,057,757; 5,057,758; 5,057,759; 5,057,760; 5,057,761; 5,057,762; 5,057,763; 5,057,764; 5,057,765; 5,057,766; 5,057,767; 5,057,768; 5,057,769; 5,057,770; 5,057,771; 5,057,772; 5,057,773; 5,057,774; 5,057,775; 5,057,776; 5,057,777; 5,057,778; 5,057,779; 5,057,780; 5,057,781; 5,057,782; 5,057,783; 5,057,784; 5,057,785; 5,057,786; 5,057,787; 5,057,788; 5,057,789; 5,057,790; 5,057,791; 5,057,792; 5,057,793; 5,057,794; 5,057,795; 5,057,796; 5,057,797; 5,057,798; 5,057,799; 5,057,800; 5,057,801; 5,057,802; 5,057,803; 5,057,804; 5,057,805; 5,057,806; 5,057,807; 5,057,808; 5,057,809; 5,057,810; 5,057,811; 5,057,812; 5,057,813; 5,057,814; 5,057,815; 5,057,816; 5,057,817; 5,057,818; 5,057,819; 5,057,820; 5,057,821; 5,057,822; 5,057,823; 5,057,824; 5,057,825; 5,057,826; 5,057,827; 5,057,828; 5,057,829; 5,057,830; 5,057,831; 5,057,832; 5,057,833; 5,057,834; 5,057,835; 5,057,836; 5,057,837; 5,057,838; 5,057,839; 5,057,840; 5,057,841; 5,057,842; 5,057,843; 5,057,844; 5,057,845; 5,057,846; 5,057,847; 5,057,848; 5,057,849; 5,057,850; 5,057,851; 5,057,852; 5,057,853; 5,057,854; 5,057,855; 5,057,856; 5,057,857; 5,057,858; 5,057,859; 5,057,860; 5,057,861; 5,057,862; 5,057,863; 5,057,864; 5,057,865; 5,057,866; 5,057,867; 5,057,868; 5,057,869; 5,057,870; 5,057,871; 5,057,872; 5,057,873; 5,057,874; 5,057,875; 5,057,876; 5,057,877; 5,057,878; 5,057,879; 5,057,880; 5,057,881; 5,057,882; 5,057,883; 5,057,884; 5,057,885; 5,057,886; 5,057,887; 5,057,888; 5,057,889; 5,057,890; 5,057,891; 5,057,892; 5,057,893; 5,057,894; 5,057,895; 5,057,896; 5,057,897; 5,057,898; 5,057,899; 5,057,900; 5,057,901; 5,057,902; 5,057,903; 5,057,904; 5,057,905; 5,057,906; 5,057,907; 5,057,908; 5,057,909; 5,057,910; 5,057,911; 5,057,912; 5,057,913; 5,057,914; 5,057,915; 5,057,916; 5,057,917; 5,057,918; 5,057,919; 5,057,920; 5,057,921; 5,057,922; 5,057,923; 5,057,924; 5,057,925; 5,057,926; 5,057,927; 5,057,928; 5,057,929; 5,057,930; 5,057,931; 5,057,932; 5,057,933; 5,057,934; 5,057,935; 5,057,936; 5,057,937; 5,057,938; 5,057,939; 5,057,940; 5,057,941; 5,057,942; 5,057,943; 5,057,944; 5,057,945; 5,057,946; 5,057,947; 5,057,948; 5,057,949; 5,057,950; 5,057,951; 5,057,952; 5,057,953; 5,057,954; 5,057,955; 5,057,956; 5,057,957; 5,057,958; 5,057,959; 5,057,960; 5,057,961; 5,057,962; 5,057,963; 5,057,964; 5,057,965; 5,057,966; 5,057,967; 5,057,968; 5,057,969; 5,057,970; 5,057,971; 5,057,972; 5,057,973; 5,057,974; 5,057,975; 5,057,976; 5,057,977; 5,057,978; 5,057,979; 5,057,980; 5,057,981; 5,057,982; 5,057,983; 5,057,984; 5,057,985; 5,057,986; 5,057,987; 5,057,988; 5,057,989; 5,057,990; 5,057,991; 5,057,992; 5,057,993; 5,057,994; 5,057,995; 5,057,996; 5,057,997; 5,057,998; 5,057,999; 5,058,000.

ATTENTION
 Lors des opérations d'entretien des commandes, étiqueter tous les composants de l'appareil. Toute erreur de câblage peut être une source de danger et de panne. S'assurer que l'appareil fonctionne adéquatement une fois l'entretien terminé.



Wiring Diagram

(Gas Dryer)

PART NO. 510821

Information for Handy Reference . . .

Date Purchased _____

Model Number _____ Serial Number _____

Store Name _____

Store Address _____ Phone Number _____

Service Agency _____

Service Agency Address _____ Phone Number _____

NOTE: Record the above information and keep your sales slip. Model and serial numbers are located on the nameplate.

**Customer Care Centre and
Information Freecall:**

1-800-072-144

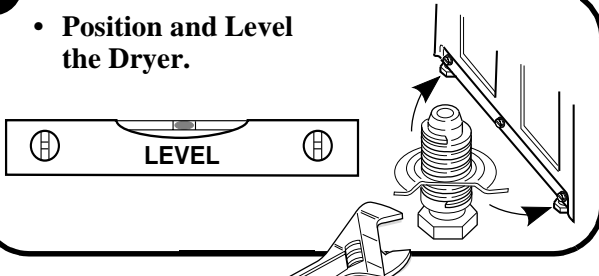
Installer Check . . .

Fast Track for Installing the Dryer

(Refer to the manual for more detailed information)

1

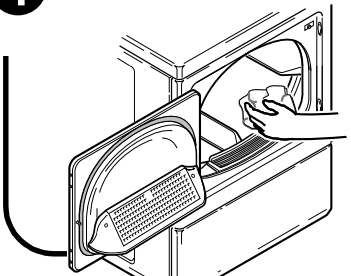
- Position and Level the Dryer.



CHECK

4

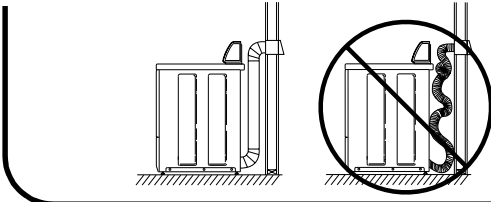
- Wipe Out Inside of Dryer.



CHECK

2

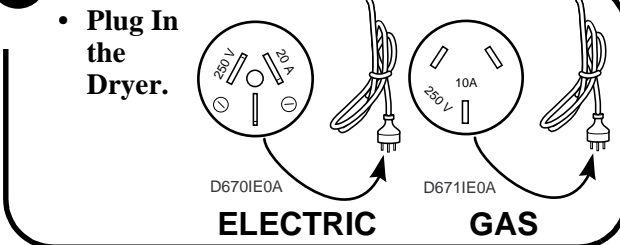
- Connect Dryer Exhaust System.



CHECK

5

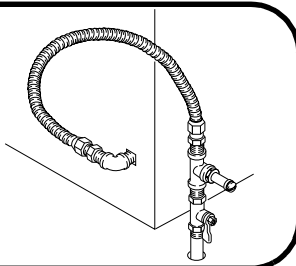
- Plug In the Dryer.



CHECK

3 – GAS ONLY

- Connect Gas Supply Pipe.
- Check for Gas Leaks.



CHECK