

# Canopy Rangehood



Energy and time saving technology leaves you time to relax!

Automatic Sensor Technology (AST) is exclusive to Kleenmaid's recently introduced rangehoods ARTICA & ANTARTICA.

Style: Wall mounted canopy

Colour: Stainless steel & glass

Width: 900mm

Operation: AST visual display & infinitive rotary control

Lighting: 2 x 20w halogen lamps

Max airflow capacity: 700 m<sup>3</sup>/h

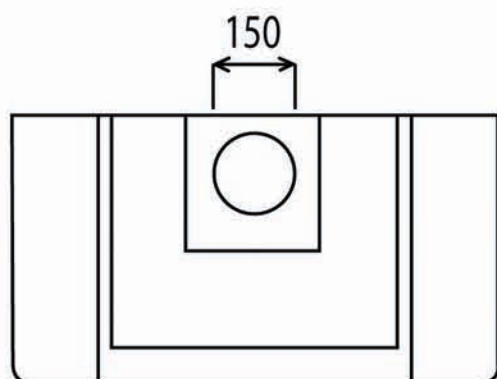
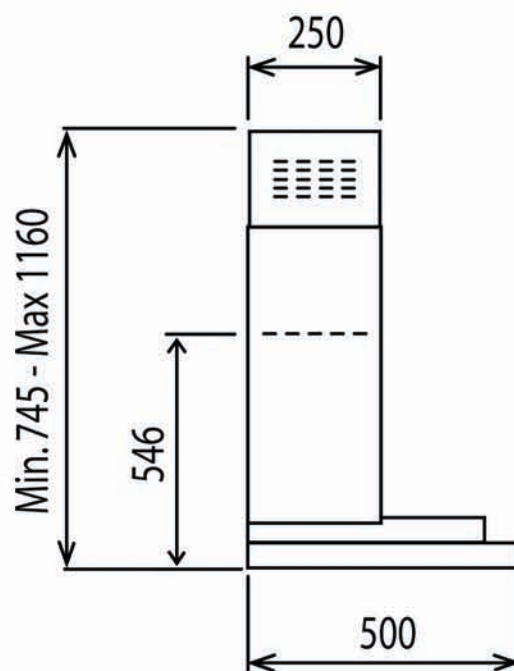
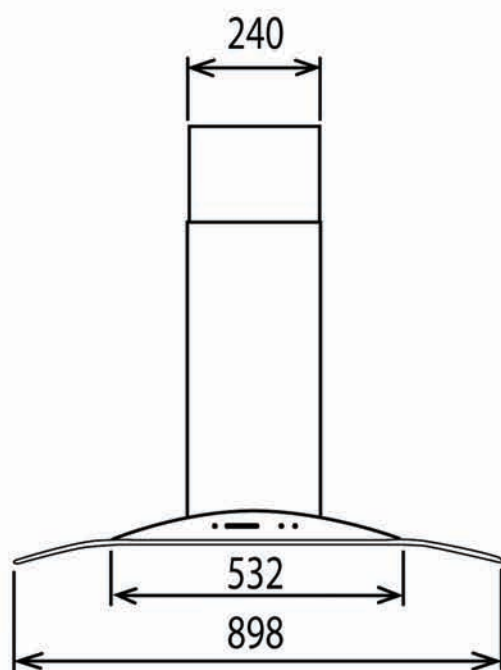
\*Technical Specifications and product sizes can be varied by Manufacturer without notice. Any cut-outs for appliances should only be by physical measurements. Drawings are not to scale. All information supplied is for general reference purposes only and is on the understanding that Kleenmaid Pty Ltd will not be liable for any loss, liability or damage whatsoever arising as a result of reliance of such information.

Please call 02 9375 2390  
[www.kleenmaid-appliances.com.au](http://www.kleenmaid-appliances.com.au)

 **Kleenmaid**  
 The best you can own.

# Canopy Rangehood

Specifications and dimensions



#### Notes on installation:

- Do not tile, grout or silicone this appliance to the wall. Surface mounting only.
- Outer flue must slide vertically to allow access to motor in event of maintenance

Model	Elec. Approval No.
ARTICA	Q96344

Please call 02 9375 2390  
[www.kleenmaid-appliances.com.au](http://www.kleenmaid-appliances.com.au)

**Kleenmaid**  
 The best you can own.