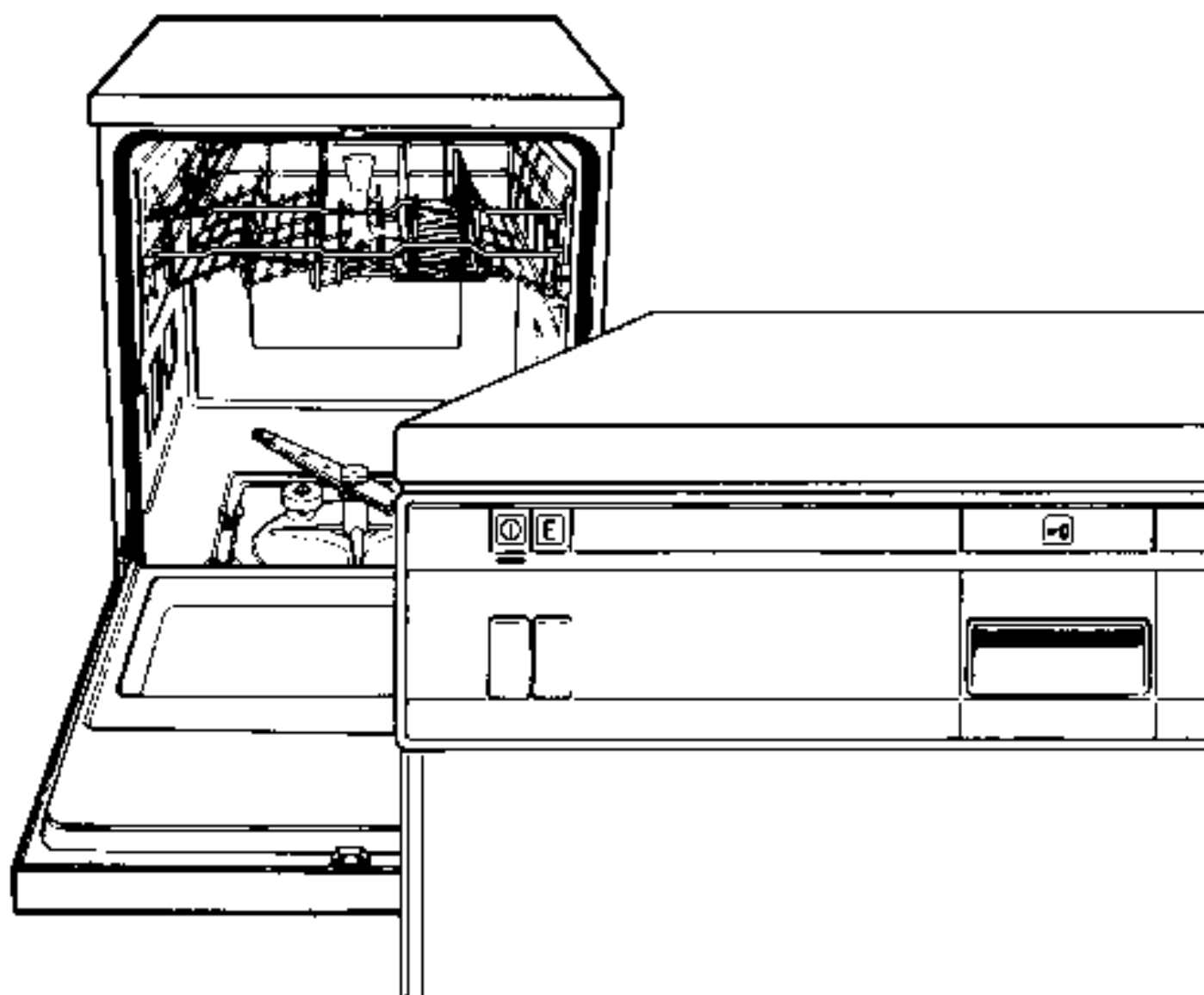


Instructions for the use of your dishwasher

DW1



 KLEENMAID

Index

	Page		Page
Introduction	1	Tableware arrangement	4
Getting to know your dishwasher		Trays	
Dishwasher description	1	Positioning upper tray	
Forewarnings:.....	1	Loading the dishwasher	
Installation		Important recommendations	
Specifications plate		Positioning the tableware	
Dishwashing products	2	Setting the wash program	5
Introduction	2	PROGRAM Selection	
Rinse aid		Program chart	
Purpose		Program sequence indicator	
Rinse aid dispenser		Starting up the dishwasher	5
Loading the dispenser		Starting up	
Amount to use		End of program	
To check the amount used		Removing the tableware	
How to adjust the amount		Important recommendations	6
Rinse aid level.....	3	Cleaning dishwasher filter	
Detergent.....	3	Cleaning water supply filter	
Detergent dispenser.....	3	Cleaning water spray arms	
Amount to use		Cleaning the dishwasher	
		Hints about your tableware	
		Troubleshooting Guide	7
		Your Warranty	8

Introduction

This INSTRUCTION MANUAL has been carefully put together in order to help you get to know your DISHWASHER perfectly.

READ IT CAREFULLY: To do so will allow you to obtain the maximum efficiency and service possible from your DISHWASHER which was manufactured for just that purpose. It will also help you to avoid possible difficulties and breakdowns that may occur if you do not read the manual.

Getting to know your dishwasher

Before getting started, you need to become perfectly acquainted with your DISHWASHER.

EXAMINE IT CAREFULLY

Your DISHWASHER is equipped with various features and parts.

In order to help you recognize each and every one of them, we have included in this MANUAL an appendix.

Please open it up in front of you. You will see a series of illustrations which will undoubtedly help you to understand the text and to visually locate all the parts that make up your appliance.

Dishwasher description

(See figures 1 and 2)

1. On/Off pilot light.
2. On-off button.
3. Energy saver program.
4. Door handle.
5. Program selection control knob.
6. Upper tray.
7. Upper water spray arm.
8. Lower tray (Fig. 10).
9. Lower water spray arm.
10. Wash filter.
11. Detergent dispenser.
12. Rinse aid liquid dispenser.

Forewarnings

Installation

It is absolutely necessary that the installation of your DISHWASHER be performed by A TRAINED TECHNICIAN according to current electrical Standards and Regulations.

THE INSTALLATION MANUAL provides specific installation instructions.

SPECIFICATION PLATE (Fig. 6)

The Technical specifications plate, containing technical information and the appliance serial number, is bonded inside your dishwasher door.

READ THIS INFORMATION PRIOR TO MAKING THE ELECTRICAL CONNECTIONS.

Dishwashing products

Introduction

To obtain maximum results when washing your tableware as well as to maintain your DISHWASHER in perfect condition, you must always bear in mind that 2 products come into play in the WASHING PROCESS:

**THE RINSE AID
THE DETERGENT**

Rinse aid

Purpose

The primary purpose of the rinse aid is to avoid the formation of water spots that appear on your tableware after the wash and to provide the surface with the best possible shine.

Rinse aid dispenser (Fig. 5)

The RINSE AID DISPENSER is located on the upper portion of the door lining, to the right of the Detergent Dispenser.

Loading the RINSE AID dispenser

When you fill the RINSE AID dispenser, you should follow these steps:

1. Open the DISPENSER lid by pressing lever A lightly.
2. Pour the liquid into the opening B and, without allowing it to overflow, fill the dispenser to the top.
3. Close the lid.

It is best to wipe any drops that may have spilled outside the Dispenser with a towel or cloth.

Amount to use

Your DISHWASHER will use a certain amount of RINSE AID for each wash, depending on the type of water.

Your DISHWASHER will automatically dispense 2-cc. of liquid per wash. This is the amount most often used.

To check the amount used

To check whether or not you are using the correct amount of RINSE AID, examine your tableware after washing it.

If you notice surface water spots, INCREASE the amount until they disappear.

If, on the other hand, you see traces of water on the tableware, DECREASE the amount.

How to adjust the amount of RINSE AID used

Your dishwasher has a CONTROL (C) which regulates the amount of RINSE AID LIQUID used between 1 and 6 cc.

Adjust the amount by turning the control to the position you see provides you with the best results.

RINSE AID level (Fig. 5)

The RINSE AID LEVEL is seen through the PEEPHOLE (D).

Two colors can be seen through this peephole: WHITE and BLACK.

BLACK: The dispenser is full.

WHITE: The dispenser is empty.

In the latter case, fill the dispenser with RINSE AID Liquid.

A 2 cc. DOSAGE WILL PROVIDE YOU WITH 80 WASHINGS BEFORE IT IS NECESSARY TO REFILL THE RINSE AID DISPENSER.

Important:

Both the DETERGENT and the RINSE AID LIQUID should be the same brand. Do not combine two different brands of RINSE AID Liquid in the dispenser.

Detergent

Detergent dispenser

Except when choosing PROGRAM 1 (Pre-wash), and 5 (Rinse and Dry), fill the DISPENSER (Fig. 5) with Powder detergent before setting the PROGRAM.

Gently close the lid.

The Detergent will be distributed automatically during the wash cycle.

Amounts

Fill the DISPENSER with 30 gr. (3 tablespoons) of Detergent for all programs except PROGRAM 1 (pre-wash) and PROGRAM 5 (Rinse and Dry).

When running PROGRAM 2 (High Intensity), you should add 20 more grams of Detergent (2 Tablespoons) to the lower left portion of the DISHWASHER's door lining (Fig. 3).

Never sprinkle detergent directly onto the Tableware

Always use a Detergent made especially for DISHWASHER.

Tableware arrangement

Trays

Your various table and cutlery pieces should **ALWAYS BE PLACED IN THE APPROPRIATE TRAYS** of your **DISHWASHER**.

Adjusting the upper tray (Fig. 8)

The height of this **DISHWASHER's UPPER TRAY** is adjustable and determined by the position of the rollers located on the runners.

To change the position of the **UPPER TRAY**, follow these steps:

1. Twist the runners' stopper (Fig. 8A).
2. Remove the rollers from that runner (Fig. 8A).
3. Introduce the alternate rollers for a different height into the runner (Fig. 8B).
4. Once the alternate rollers are in place, turn the stopper to its original position (Fig. 8A).

HIGH UPPER TRAY POSITION: In this position, plates of up to 15 cm. in diameter may be placed in the **UPPER TRAY** and plates of 31 cm. in the lower tray.

LOW UPPER TRAY POSITION: In this position, plates of up to 20 cm. in diameter may be placed in the **UPPER TRAY** and plates of 26 cm. in the lower tray.

Loading the dishwasher

(Figs. 9, 10, 11, 12)

Important recommendations

Eliminate all large food remains or insoluble substances, such as ashes, before introducing the pieces to be washed into your **DISHWASHER**.

YOU DO NOT NEED TO RINSE THEM UNDER THE TAP.

Also, it is important that pots and pans with dried or burned-on remains be soaked in water with a small amount of detergent prior to washing.

Positioning the tableware

When placing the tableware in the trays, do so according to the size, strength and dirtiness of the pieces.

Less dirty and delicate pieces (Fig. 9), such as glassware, cups, dessert plates, china or crystal, are to be placed in the upper tray with the open ends facing down.

Dirtier and more resistant pieces (Fig. 10) such as dinner plates, pots, pans and serving dishes, are to be placed in the lower tray. For a better wash, always leave a small amount of space between the plates.

When loading the lower tray, the pieces should be secured in some way, using the buttresses for support.

Cutlery: Place the cutlery in the special holder located on the lower tray.

When all the dishes are in place, roll the two trays back into the machine, checking to make sure that the two **SPRAY ARMS** (Fig. 12) move freely by spinning them lightly with your hand.

Setting the wash program

To set the desired WASH PROGRAM, turn the PROGRAM SELECTION CONTROL KNOB (Fig. 13) clockwise, stopping when the indicator of the selected program, printed on the PROGRAM SELECTION CONTROL. Lines up with the vertical line on the control panel.

Below we have provided you with a CHART OF THE WASH PROGRAMS.



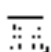

STUDY IT. You will find a detailed description of all the information related to the different types of WASH PROGRAMS offered by your DISHWASHER.

Program sequence indicator

The program selector (Fig. 13) will turn in a clockwise direction during washing and will indicate the progress of the program from the start position.

During heating, the program selector will remain stationary for a time

The symbols for program sequence are

 Pre-wash.  Washing  Intermediate and final rinsing  Drying

PROGRAM CHART

PROGRAM	PROGRAM TYPE	APPLICATIONS	TIME (min.)	Elec. k.w.h. Consump.	Water l. Consump.	BUTTON	
						E	
1	Pre-wash	To soak dishes that won't be immediately washed.	7	0,02	7		
2	Heavy wash	For very dirty dishes, pots and pans.	95	2,4	35		
3	Normal	For very dirty tableware.	70	1,3	28	•	
4	Light wash	For dirty tableware	55	1,1	21	•	
5	Rinse and Dry	To rinse and dry tableware.	40	1	14		
6	Fast wash	Lightly soiled dishes.	35	0,7	21		

Programm 3. Economy button depressed as per energy label.

Starting up

When starting up your dishwasher, carefully follow these steps:

- 1° Check to make sure that the dishwasher is plugged in.
- 2° Turn on the water tap or faucet.
- 3° Check the LEVEL of the RINSE AID Dispensers.
- 4° Load the Tableware as described above.
- 5° Fill the Detergent Dispenser.
- 6° Set the WASH PROGRAM.
- 7° PRESS on-off button. Pilot light 1 of the On/Off indicator will light up.

THE DESIRED WASH PROGRAM HAS BEGUN.

Warning:

Do not open the DISHWASHER door while it is running. It could upset the WASH CYCLE.

ECONOMY BUTTON

With the economy button depressed all water heatives reduced from 65°C to 50°C resulting in energy saving.

End of program

When the WASH CYCLE INDICATOR (Fig. 13) reaches the STOP position, the wash program selected has finished.

You should now press the ON-OFF BUTTON.

Turn off the water and unplug the dishwashers.

Removing the tableware

We recommend that you wait until the dishes are dry before removing them (20 minutes after the Wash Program has finished).

When those 20 minutes are up, open the door and remove the dishes.

It is best to take out the tableware pieces from the lower tray first.

Important recommendations

Cleaning the wash filter

Clean the WASH FILTER whenever you see that it is dirty.

To do so, remove it by pulling up on the handle (Fig. 14). You should then clean it under the water faucet with the help of a brush (Fig. 15).

Cleaning the water supply filter

You should clean the WATER SUPPLY FILTER periodically.

To do so, check the INSTALLATION MANUAL accompanying these instructions.

The dishwasher should never operate without filters.

Cleaning the water spray arms

Always clean the WATER SPRAY ARMS (Fig. 12) whenever you notice that any opening is stopped up.

To do so, remove the UPPER WATER SPRAY ARM by loosening it from its NUT A (Fig. 12) and the LOWER WATER SPRAY ARM by loosening NUT B (Fig. 13).

When finished cleaning, replace them in their original positions.

Cleaning the dishwasher itself

Cleaning the outside

Use warm, sudsy water to clean the outside of your DISHWASHER.

When finished, dry it well with a towel or cloth. Do not use abrasive detergents or sponges.

For added security, unplug the DISHWASHER while cleaning the outer parts.

Cleaning the inside

Before using your DISHWASHER for the first time, after a period of non-use or whenever you notice it is dirty inside, you should clean it.

To do so, fill the Detergent Dispenser with special Washing Machine Cleaner Detergent, set the Wash program on normal and let the DISHWASHER run through the normal Wash Cycle.

Hints about your tableware

Tableware Pieces:

The DISHWASHER will wash any type of tableware pieces perfectly. When you purchase any new tableware, if at all possible buy those with smooth finishes and large openings.

Cutlery

Modern cutlery: Modern cutlery poses no problem whatsoever to the DISHWASHER wash.

Silverware: Avoid contact between Silverware and other cutlery. Due to the characteristics of silver, if they do come into contact with other materials, brown spots could appear. For this reason, the cutlery CONTAINER is divided into sections.

Aluminium objects

Aluminium, when washed by hand or in the DISHWASHER, becomes darker and darker. Aluminium pieces should not be placed below the detergent dispenser because spotting could be even worse.

Trimmed china

Just as when washed by hand, if the trim is not first rate, it will gradually wear away.

Crystal

Use the economy PROGRAM to wash your good crystal.

Plastic articles

Heat resistant plastic may be washed in the DISHWASHER. If you are uncertain, check to make sure these articles may be washed in the DISHWASHER with the establishment where you purchase them.

Wooden articles and clay casserole dishes

These should not be washed in the DISHWASHER.

Troubleshooting guide

What follows is a Troubleshooting guide to help you solve any problems that may arise while using the DISHWASHER.

If, after performing the recommendations of the guide, the problem persists, unplug the DISHWASHER, turn off the water and contact our TECHNICAL ASSISTANCE SERVICE.

THE DISHWASHER WON'T TURN ON:

- The electricity is off.
- The plug has not been properly inserted into the socket.
- The door is not completely shut.
- The ON-OFF BUTTON has not been pressed out correctly.

The Dishwasher is on but the water does not enter:

- The water supply is off.
- The water tap is turned off.
- The water hose filter is blocked.

The tableware doesn't come clean:

- You are not using special DISHWASHER detergent.
- You haven't filled the detergent dispenser and closed its lid.
- The tableware has not been properly arranged in the trays.
- The spray arms are blocked by a piece of the tableware. Before closing the dishwasher, be sure both spray arms are free to spin.
- The spray arm openings are stopped up by dirt or some foreign object.
- The wash filter is either dirty or has not been positioned correctly.
- The dirty tableware has been left for too long and has dried on.
- The drain hose is blocked.
- You have not selected the correct wash program.

The tableware doesn't come out shiny

- You have not used rinse aid liquid appropriate for DISHWASHERS.
- You have not correctly adjusted the rinse aid liquid amount.
- The rinse aid liquid dispenser is empty.

The tableware is not being sprayed

- The Motor protection Device has disconnected the wash pump. Unplug the DISHWASHER and wait until the motor has cooled off.

Guarantee

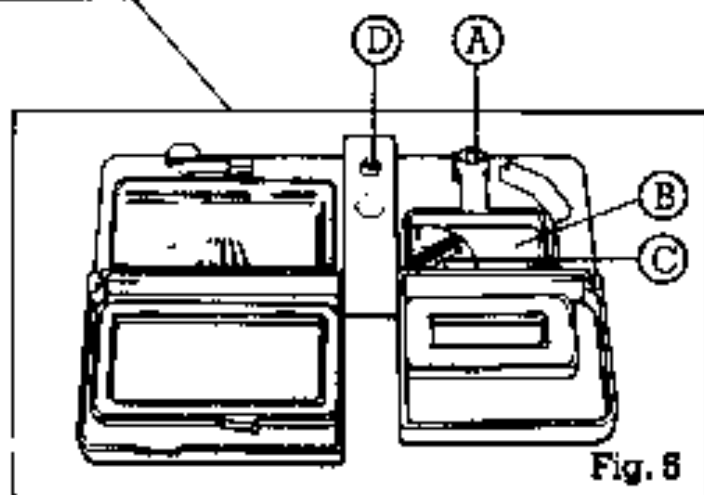
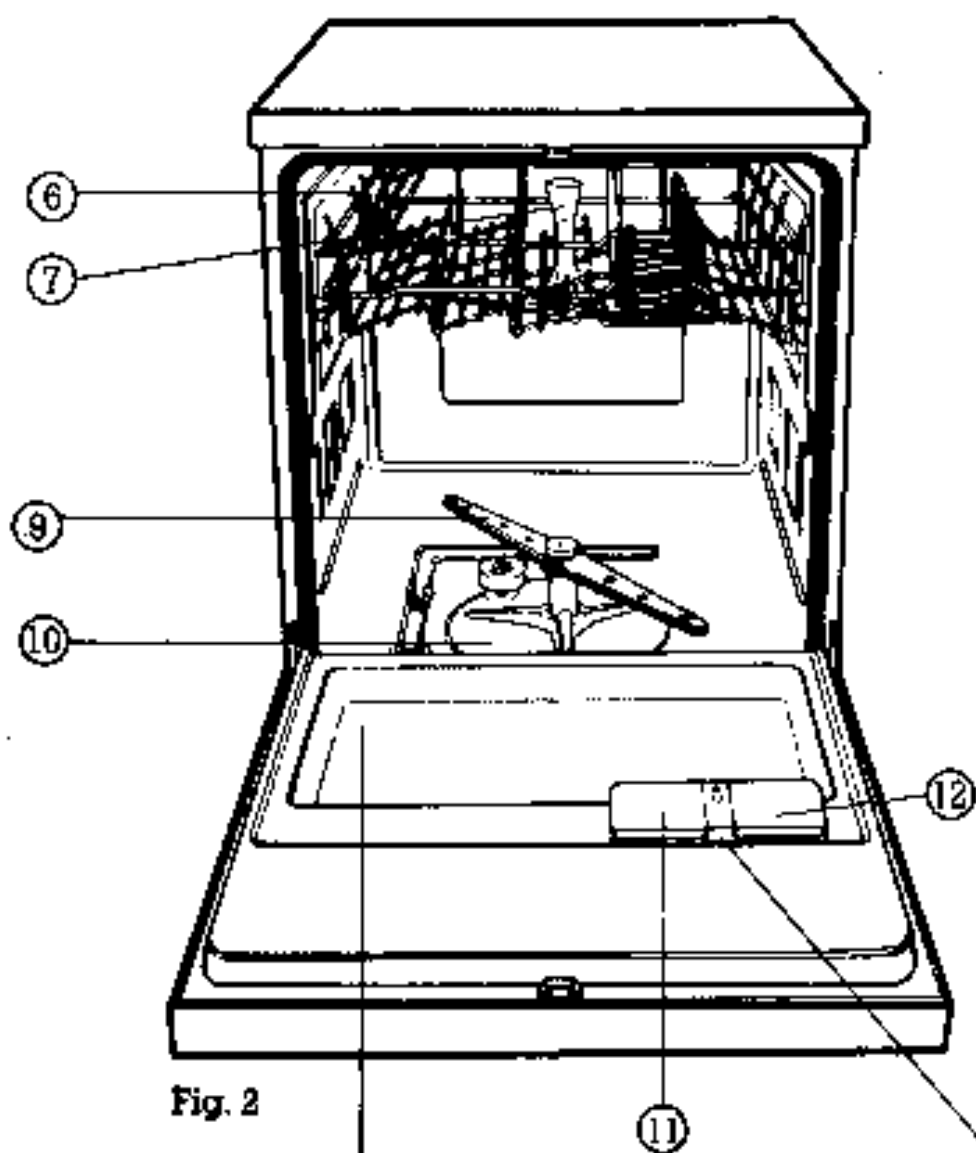
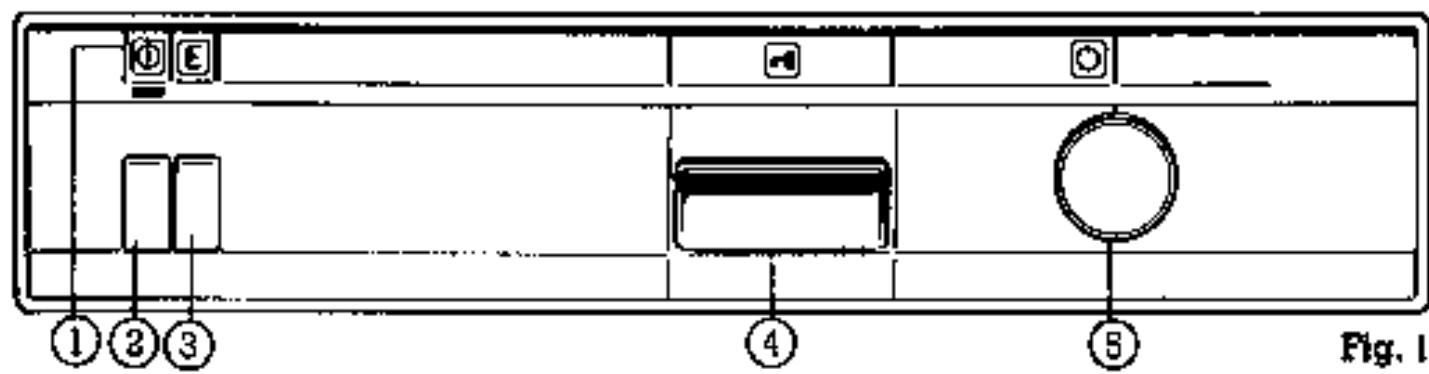
In addition to all statutory rights which you, the Consumer have under all the relevant Laws in respect of this appliance, during the first two years of ownership as the original purchaser of the Kleenmaid, Dishwasher we guarantee that any fault caused by faulty material or workmanship, becoming apparent will be rectified free of charge for parts or labour provided that all service is performed during normal working hours by Kleenmaid or their designated Agent. Where the dishwasher is installed outside the normal servicing area of the above, the Purchaser must pay the cost of transporting the appliance to and from the Agent or the Agent's travelling cost to and from the Purchaser's home.

This protection is yours for normal household use only, on products within the Commonwealth of Australia. Commercial usage restricts the guarantee to 90 days from the date of purchase.

Model No.	Serial No.
Purchased from	
Date	(Retain your receipt as proof of purchase)

Service

If you require Service it is only a phone call away. Contact the Authorised Service Agent in your arear or the retailer from whom you purchased the dishwasher.



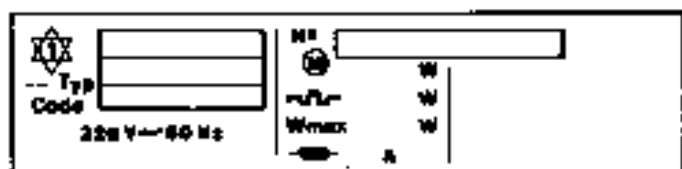


Fig. 6

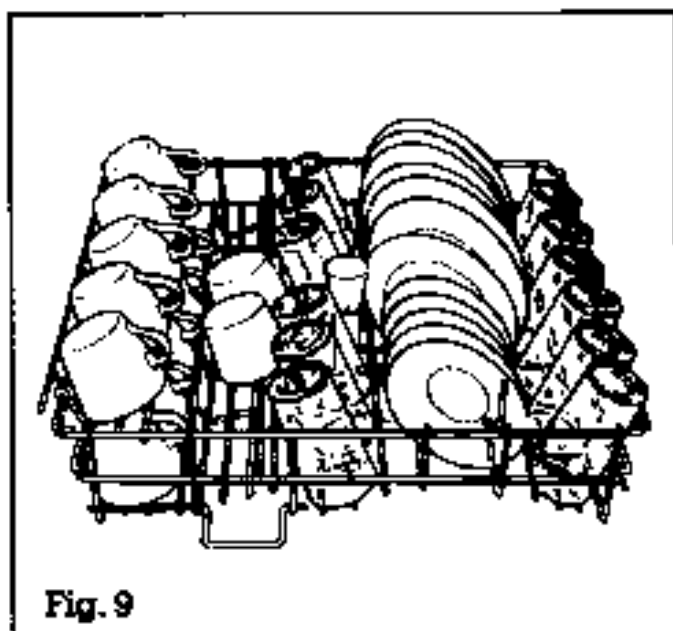


Fig. 9

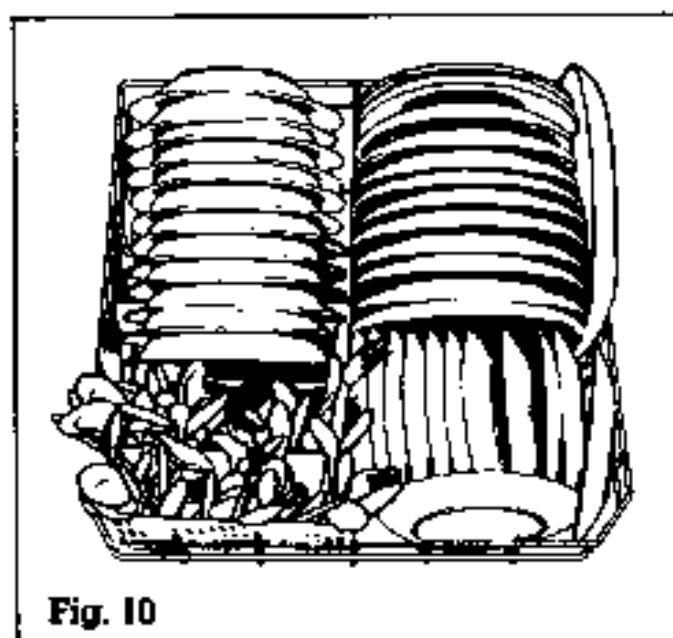


Fig. 10

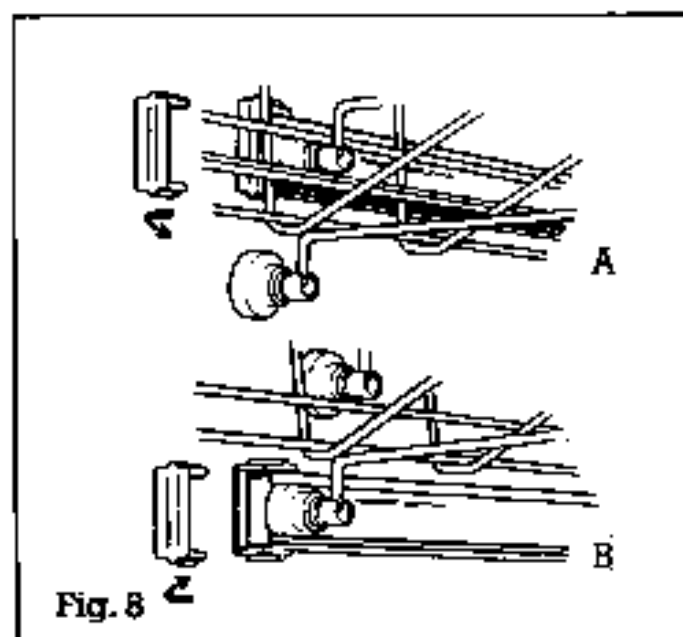


Fig. 8

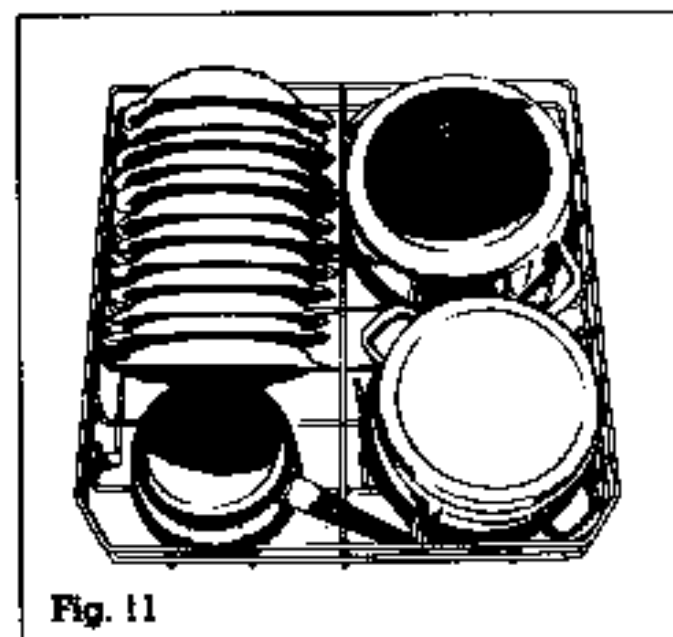


Fig. 11

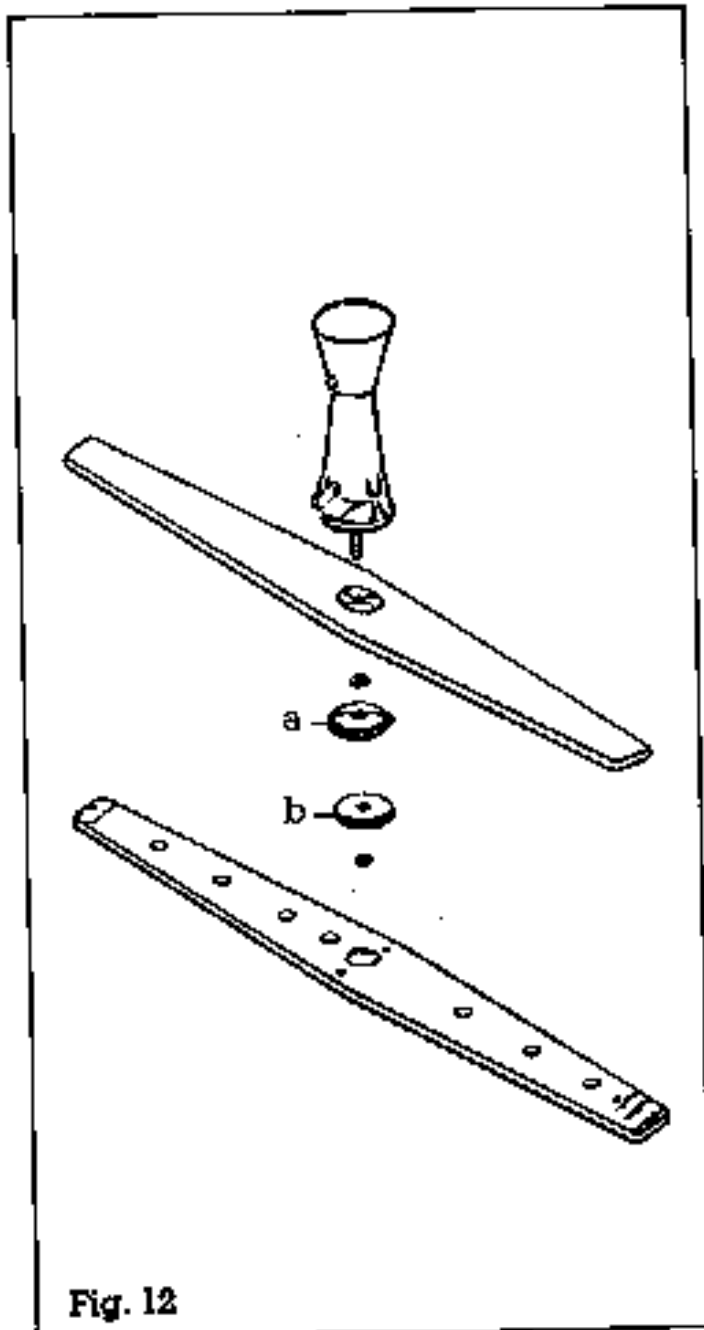


Fig. 12

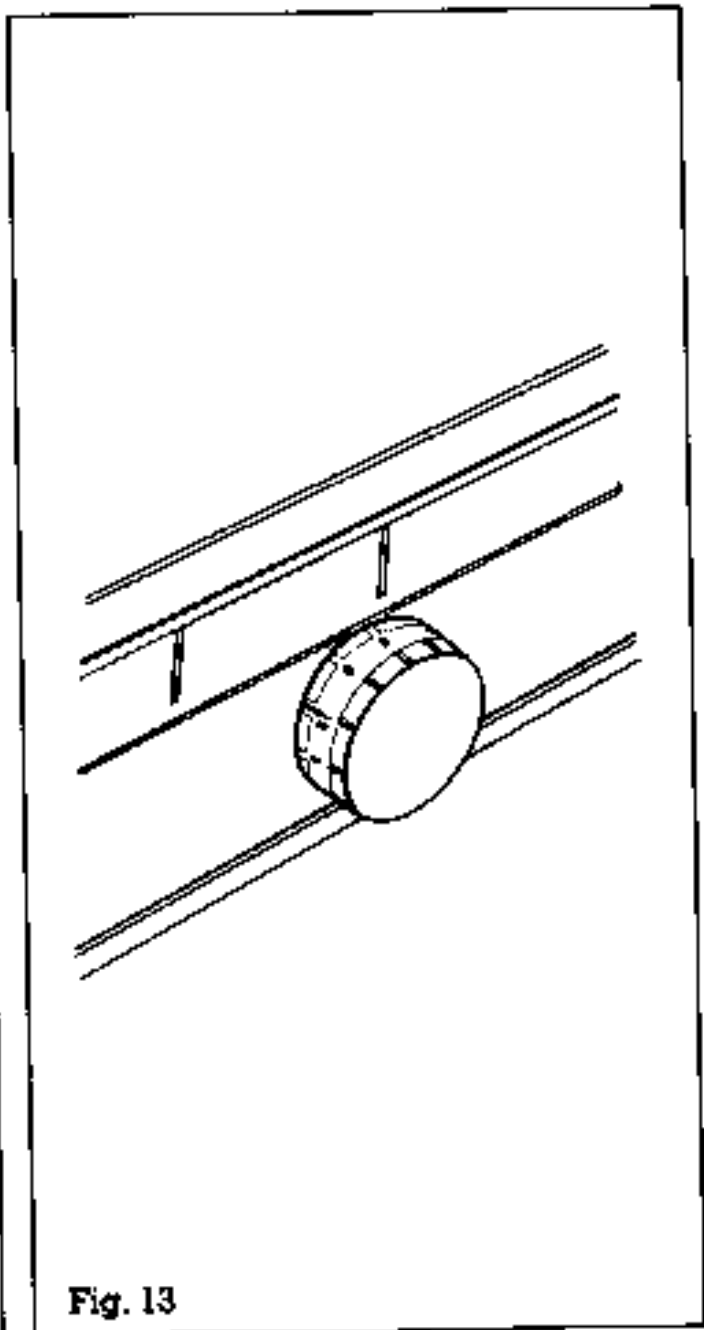


Fig. 13

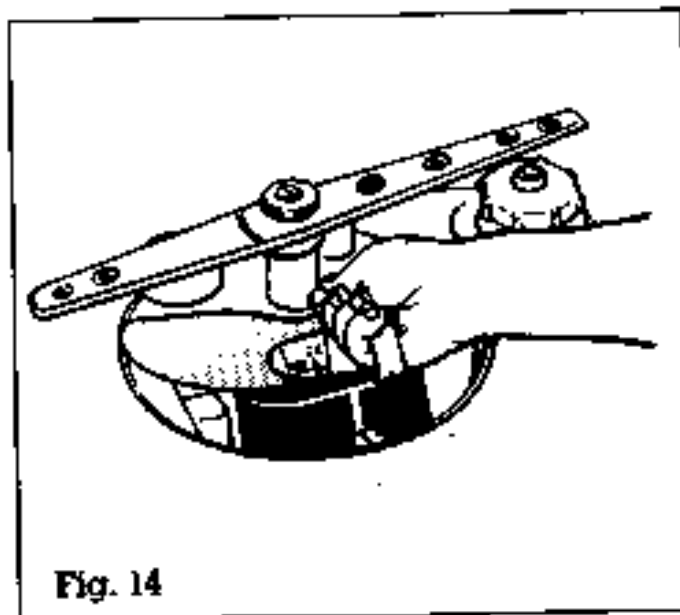


Fig. 14

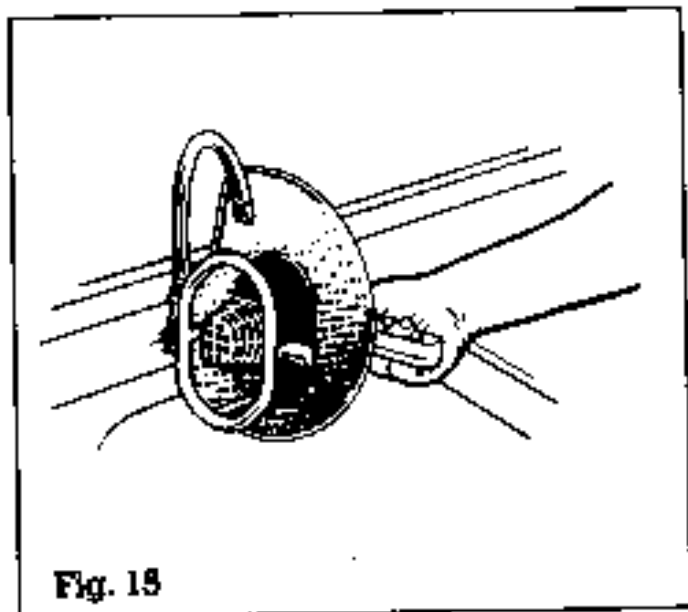


Fig. 15