

DISHWASHER

c o l l e c t i o n



Instructions for Use and Warranty Details

Dishwashers DW1N DW1NS

 **KLEENMAID**
THE WORLD'S BEST



Congratulations on the purchase of your new Kleenmaid appliance. This appliance has been designed and manufactured to give you years of reliable performance. For best results, carefully read the instructions on how to install your new appliance. Correct installation will avoid delays and unnecessary service calls.

Once installation is complete, read this booklet and get to know the controls and the features of your new appliance.

If you need further information call or
Customer Care Centre
1 800 072 144

We reserve the right to alter the specifications with no influence on the operation of the appliance. This instruction manual cannot be reason for claim.

CONTENTS

	Page
Illustrations Fig 1 to Fig 4	2
Illustrations Fig 5 to Fig 11	3
Illustrations Fig 12 to Fig 16	4
Illustrations Fig 17 to Fig 18	5
Instructions For Use	6
Dishwasher Description	6
Dishwasher Products	6
Tableware Arrangement	7
Setting the Wash Program	8
Starting Up	8
Program Chart	9
Important Recommendations	9
Troubleshooting Guide	10
Installation Instructions	11
Unpacking	11
Free-standing Dishwashers	11
Panelled Dishwashers	11
Water Supply Connection	12
Warranty and Service	13

WARNING

KLEENMAID RECOMMENDS INSTALLATION BY AN AUTHORISED AGENT.

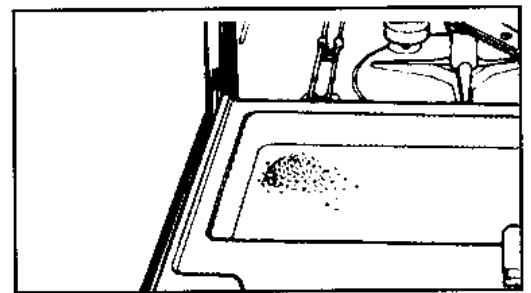
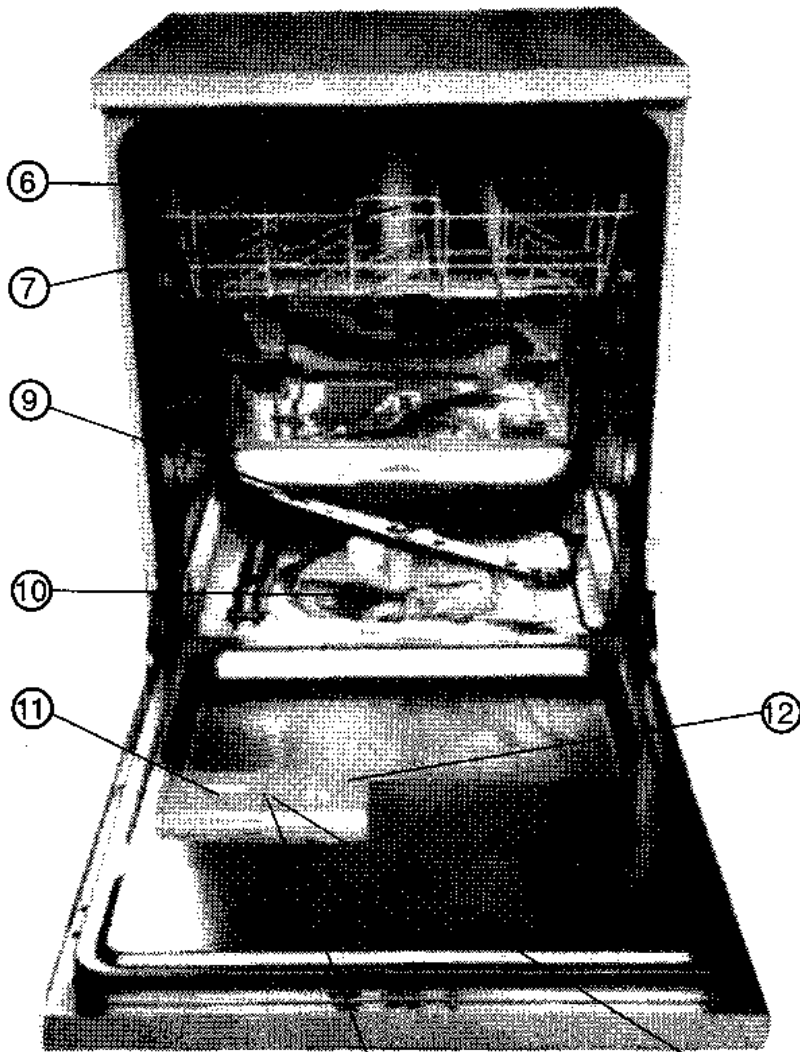
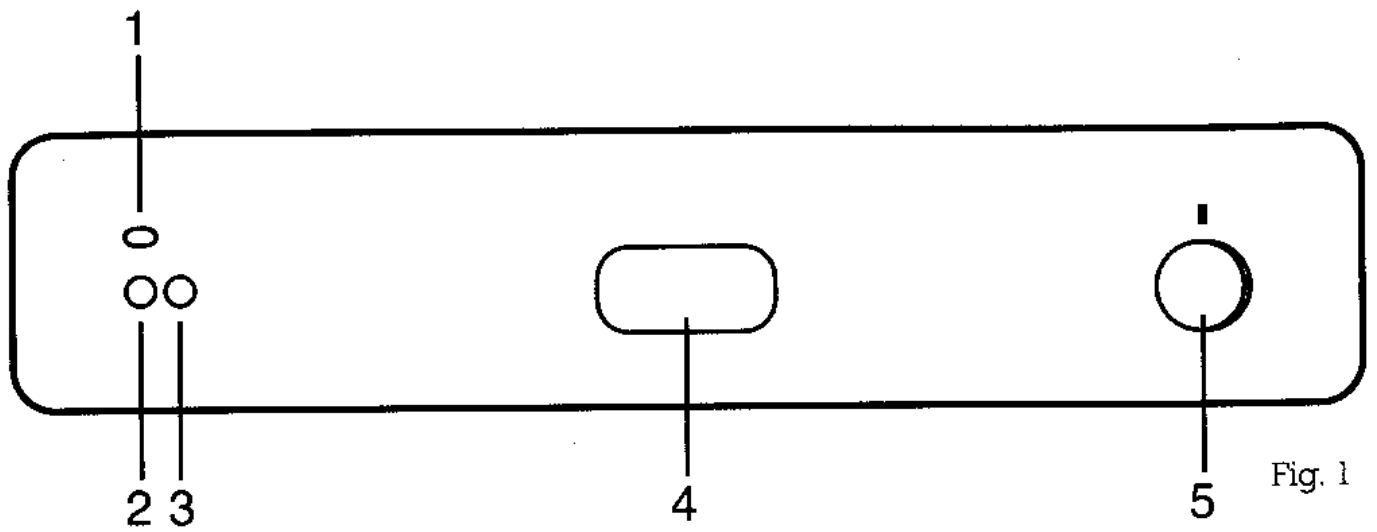
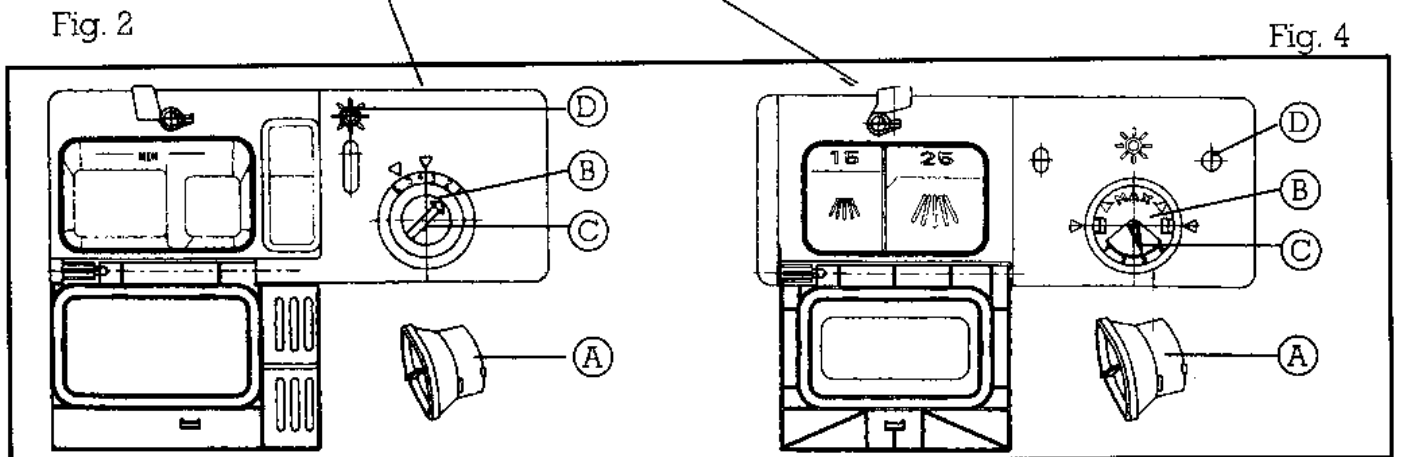


Fig. 3



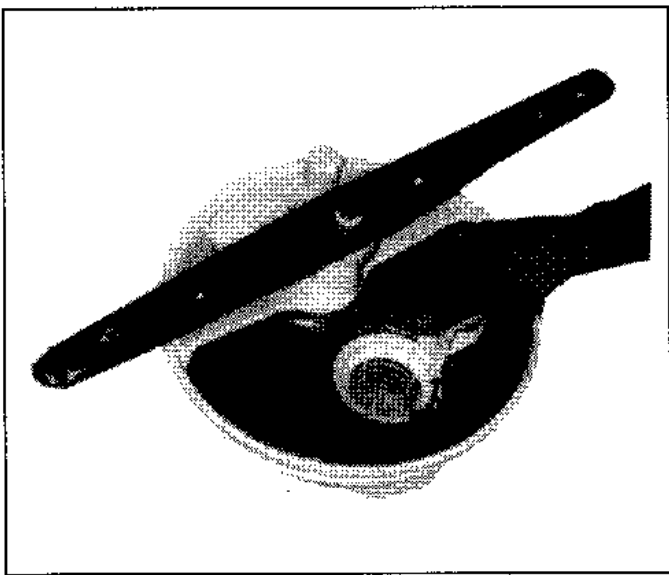


Fig. 5

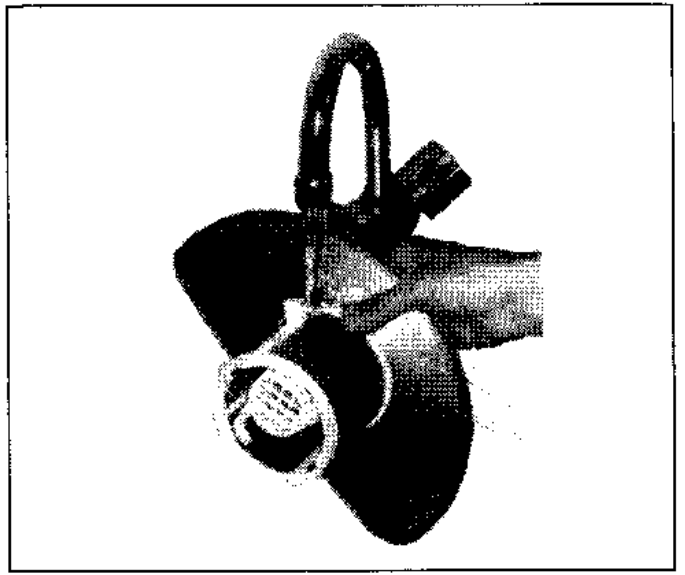


Fig. 6

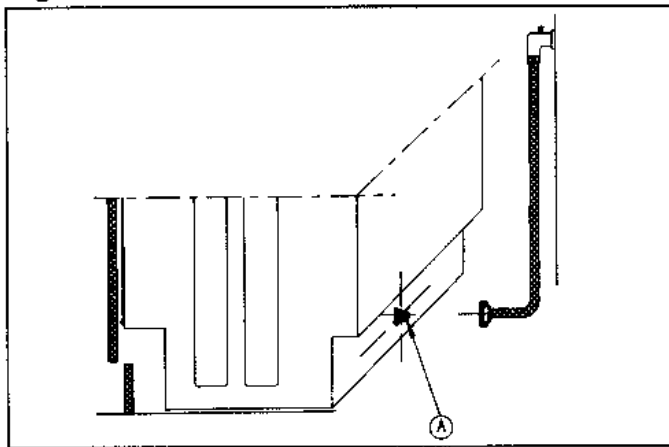


Fig. 7

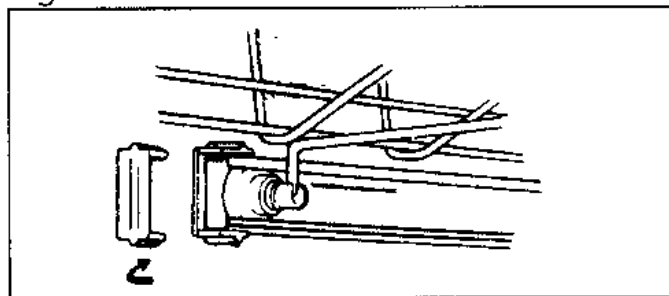


Fig. 8

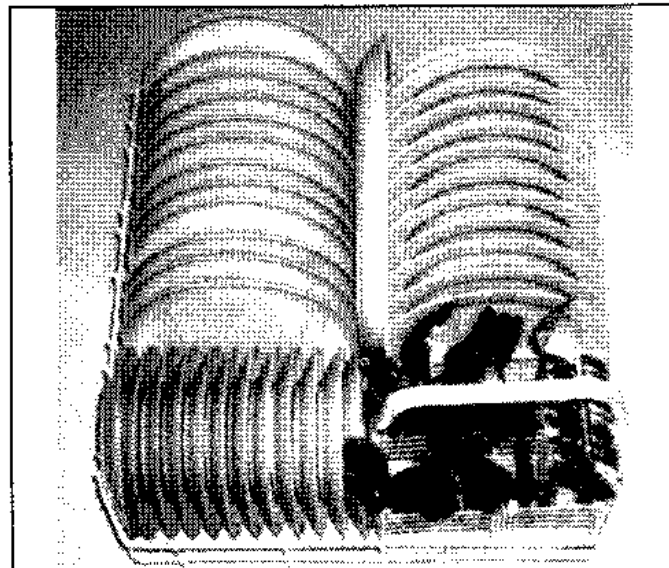


Fig. 10

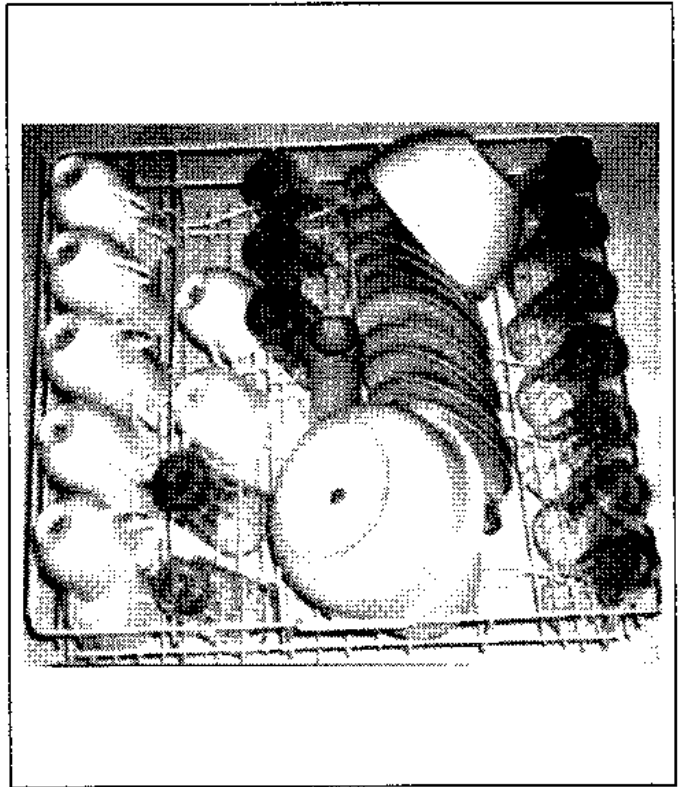


Fig. 9

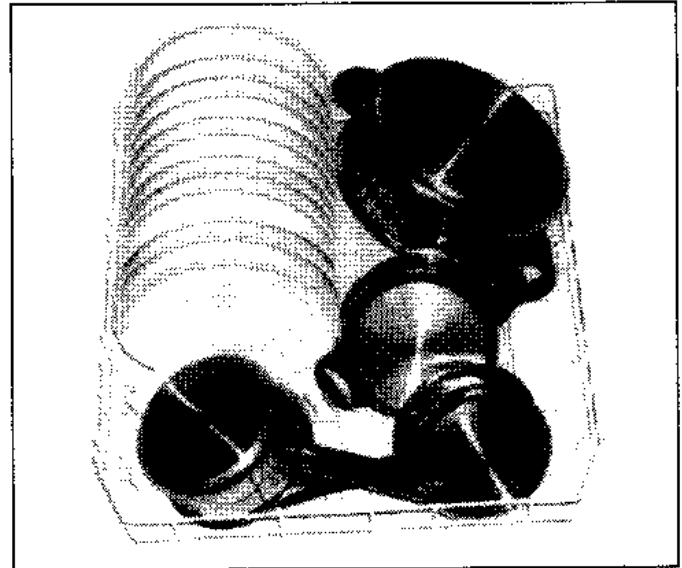


Fig. 11

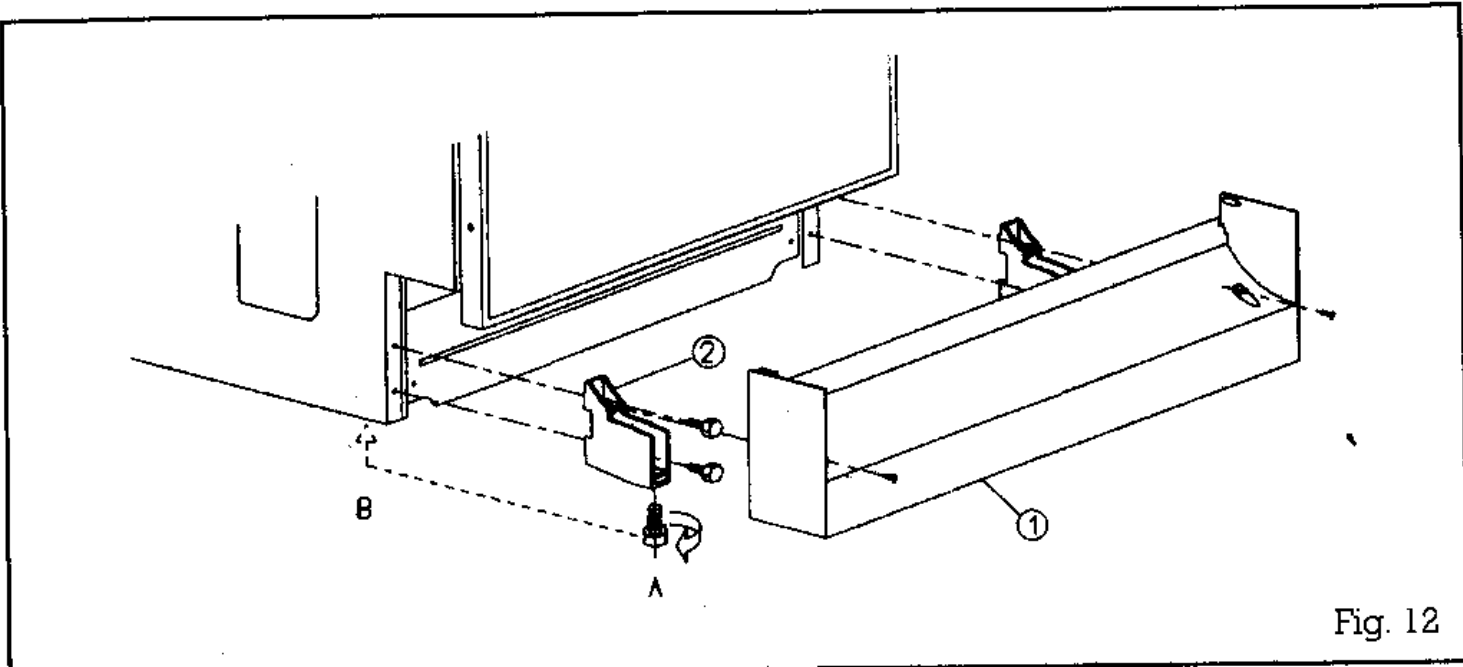


Fig. 12

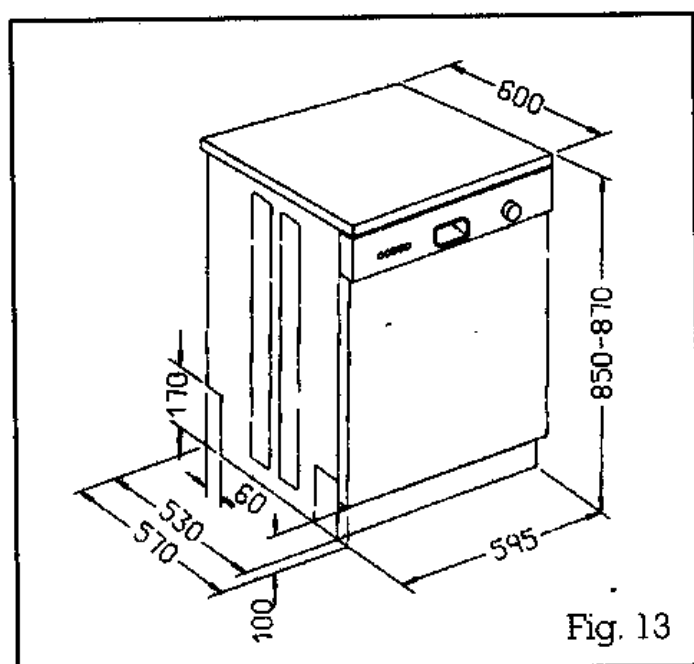


Fig. 13

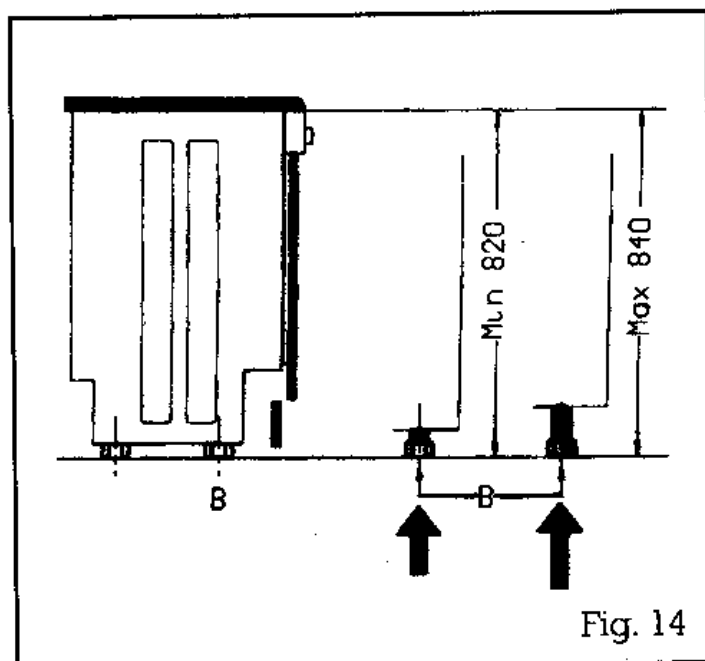


Fig. 14

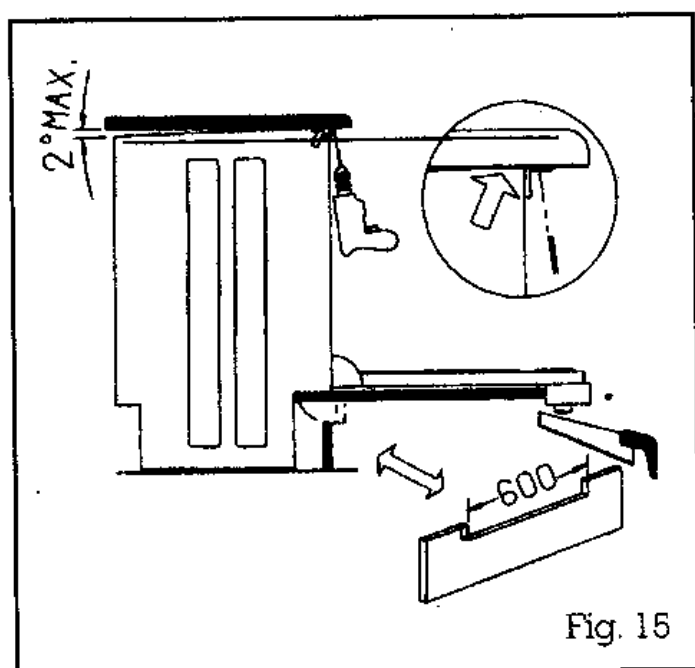


Fig. 15

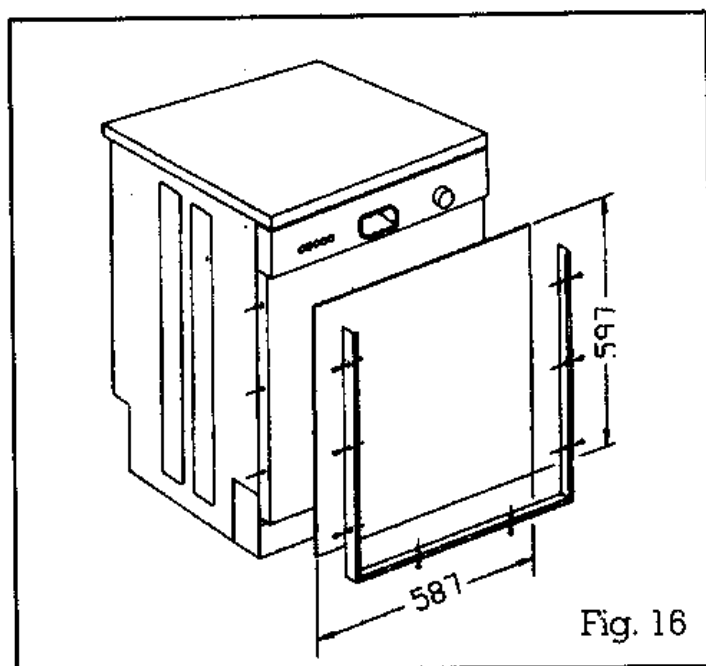


Fig. 16

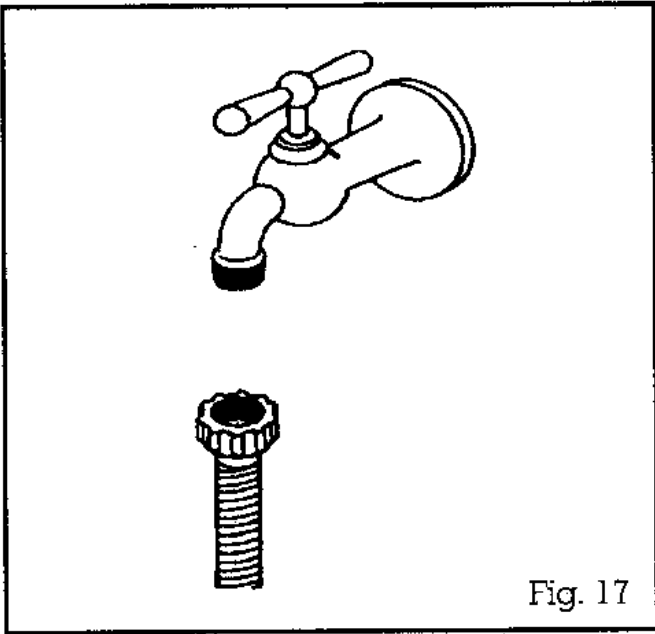


Fig. 17

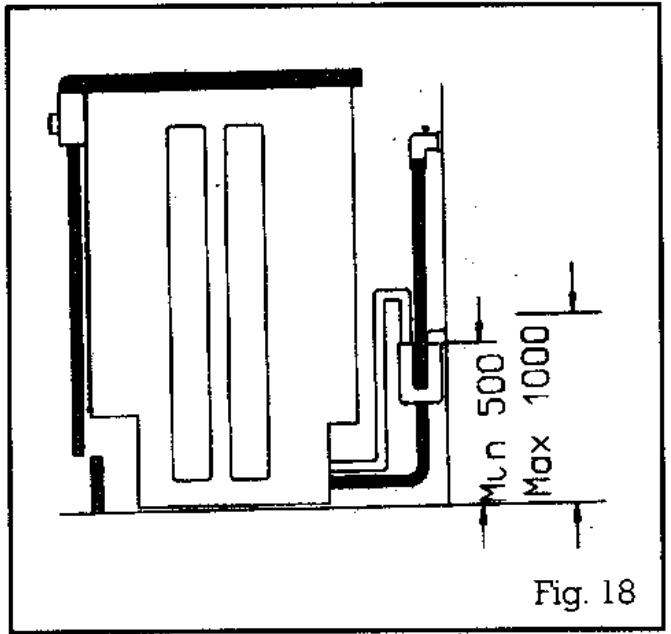


Fig. 18

INSTRUCTIONS FOR USE

Introduction

This instruction manual has been carefully put together in order to help you get to know your dishwasher perfectly.

READ IT CAREFULLY: To do so will allow you to obtain the maximum efficiency and service possible from your dishwasher which was manufactured for just that purpose. It will also help you to avoid possible difficulties and breakdowns that may occur if you do not read the manual.

Getting to know your dishwasher

Before getting started, you need to become perfectly acquainted with your dishwasher.

EXAMINE IT CAREFULLY

Your dishwasher is equipped with various features and parts.

In order to help you recognize each and every one of them, we have included in this manual a series of illustrations which will undoubtedly help you to understand the text and to visually locate all the parts that make up your appliance.

Dishwasher description

(Fig 1 and Fig. 2)

1. On/Off pilot light.
2. On-Off button.
3. Energy saver program.
4. Door handle.
5. Program selection control knob.
6. Upper tray.
7. Upper water spray arm.
8. Lower tray (Fig. 10).
9. Lower water spray arm.
10. Wash filter.
11. Detergent dispenser.
12. Rinse aid liquid dispenser.

Important

Installation

It is absolutely necessary that the installation of your dishwasher be performed by a trained technician according to current electrical Standards and Regulations.

The installation section of this manual, provides specific installation instructions.

SPECIFICATION PLATE

The Technical specifications plate, containing technical information and the appliance serial number, is bonded inside your dishwasher door.

READ THIS INFORMATION PRIOR TO MAKING THE ELECTRICAL CONNECTIONS.

Dishwashing products

Introduction

To obtain maximum results when washing your tableware as well as to maintain your dishwasher in perfect condition, you must always bear in mind that 2 products come into play in the washing process:

THE RINSE AID

THE DETERGENT

Rinse aid

Purpose

The primary purpose of the rinse aid is to avoid the formation of water spots that appear on your tableware after the wash and to provide the surface with the best possible shine.

Rinse aid dispenser (Fig. 4)

The Rinse aid dispenser is located on the upper portion of the door lining to the right of the Detergent Dispenser.

Loading the Rinse aid dispenser

When you fill the Rinse aid dispenser, you should follow these steps:

1. Open the DISPENSER lid (A).
2. Pour the liquid into the opening B and, without allowing it to overflow, fill the dispenser to the top.
3. Close the lid, (A).

It is best to wipe any drops that may have spilled outside the Dispenser with a towel or cloth.

Amount to use

Your dishwasher will use a certain amount of RINSE AID for each wash depending on the type of water.

Your dishwasher will automatically dispense 2 ml. of liquid per wash. This is the amount most often used.

To check the amount used

To check whether or not you are using the correct amount of rinse aid, examine your tableware after washing it.

If you notice surface water spots increase until they disappear the amount.

If, on the other hand, you see traces of water on the tableware, DECREASE the amount.

How to adjust the amount of RINSE AID used

Your dishwasher has a CONTROL (C) which regulates the amount of rinse aid liquid used between 1 and 6 ml.

Adjust the amount by turning the control to the position that provides you with the best results.

RINSE AID level (Fig. 4)

The rinse aid level is seen through the PEEPHOLE (D).

Two colors can be seen through this peephole: WHITE and BLACK

BLACK: The dispenser is full.

WHITE: The dispenser is empty.

In the latter case, fill the dispenser with rinse aid liquid.

A 2ml. DOSAGE WILL PROVIDE YOU WITH 60 WASHINGS BEFORE IT IS NECESSARY TO REFILL THE RINSE AID DISPENSER.

Important:

Both the detergent and the rinse aid liquid should be the same brand. Do not combine two different brands of rinse aid liquid in the dispenser.

Detergent

Detergent dispenser

Except when choosing PROGRAM 1 (Pre-wash), and 5 (Rinse and Dry), fill the DISPENSER (Fig. 4) with Powder detergent before setting the PROGRAM.

Gently close the lid.

The Detergent will be distributed automatically during the wash cycle.

Amounts

The quantity will vary depending on detergent used, please use the following as a guide only.

Fill the DISPENSER with approximately 30 gr. (3 tablespoons) of detergent for all programs except PROGRAM 1 (Pre-wash). When running PROGRAM 2 (Heavy Wash), you should add 20 more grams of detergent (2 Tablespoons) to the lower left portion of the dishwasher's door lining (Fig. 3).

Never sprinkle detergent directly onto the Tableware

Always use a detergent made especially for dishwashers.

Tableware arrangement

Trays

Your various table and cutlery pieces should ALWAYS BE PLACED IN THE APPROPRIATE TRAYS of your DISHWASHER.

Baskets configuration enables plates of up to 20cm. in diameter to be washed in the UPPER BASKET and 31 cm. in diameter in the LOWER BASKET.

To remove the UPPER BASKET, twist the runner's stopper (Fig. 8)

Loading the dishwasher.

(Figs. 9, 10, 11)

Important recommendations

Eliminate all large food remnants; or insoluble substances, such as ashes before introducing the pieces to be washed into your dishwasher.

YOU DO NOT NEED TO RINSE THEM UNDER THE TAP.

Also, it is important that pots and pans with dried or burned-on remains **be soaked in water with a small amount of detergent prior to washing.**

Positioning the tableware

When placing the tableware in the trays, **do so according to the size, strength and dirtiness of the pieces.**

Less dirty and delicate pieces (Fig. 9), such as glassware, cups, dessert plates, china or crystal are to be placed in the upper tray with the open ends facing down.

Dirtier and more resistant pieces (Fig. 10) such as dinner plates, pots, pans and serving dishes are to be placed in the lower tray. For a better wash, always leave a small amount of space between the plates.

When loading the lower tray, the pieces should be secured in some way, using the buttresses for support.

Cutlery: Place the cutlery in the special holder located on the lower tray.

When all the dishes are in place, roll the two trays back into the machine checking to make sure that the two SPRAY ARMS (Fig. 2: No. 7; No. 9) move freely by spinning them lightly with your hand.

Setting the wash program

To set the desired WASH PROGRAM, turn the PROGRAM SELECTION CONTROL KNOB (Fig. 1: No. 5) clockwise stopping when the

indicator of the selected program lines up with the vertical line on the control panel.

Program sequence indicator

The program selector (Fig. 1: No. 5) will turn in a clockwise direction during washing and will indicate the progress of the program from the start position.

During heating, the program selector will remain stationary for a time.

Starting up

When starting up your dishwasher, carefully follow these steps:

1. Check to make sure that the dishwasher is plugged in.
2. Turn on the water tap.
3. Check the level of the rinse aid dispensers.
4. Load the tableware as described above.
5. Fill the detergent dispenser.
6. Set the wash program.
7. PRESS on-off button. Pilot light (Fig. 1: No 1) of the On/Off indicator will light up.

THE DESIRED WASH PROGRAM HAS BEGUN

Warning:

Do not open the dishwasher door while it is running. It could upset the wash cycle.

ECONOMY BUTTON

With the economy button depressed all water temperatures are reduced from 65°C to 55°C resulting in energy saving.

PROGRAM CHART

PROGRAM	PROGRAM TYPE	APPLICATIONS	TIME (min.)	ENERGY kWh	Water litres	BUTTON
						e
1	Pre-wash	To soak dishes that won't be immediately washed.	6	0.02	5	
2	Heavy wash	For very dirty dishes, pots and pans.	85	1.9	26	
3*	Normal	For very dirty tableware.	70	1.5	21	
4	Light wash	For lightly soiled dishes.	55	1.1	16	.
5	Fast wash		40	1.0	16	

Program 3. per energy label. **NOTE:** All times assume cold water connection.

End of program

When the wash cycle indicator (Fig. 1: No. 5) reaches the stop position, the wash program selected has finished.

You should now press the On-Off button. Turn off water and unplug the dishwashers.

Removing the tableware

We recommend that you wait until the dishes are dry before removing them (20 minutes after the wash program has finished).

NOTE:

As the dishwasher relies on residual heat contained within the cabinet to dry the dishes, it is important to leave the door closed.

Also, more effective drying will occur if the Economy button is not depressed thereby ensuring that maximum water temperatures are obtained.

When those 20 minutes are up, open the door and remove the dishes.

It is best to take out the tableware pieces from the lower tray first.

Important recommendations

Cleaning the wash filter

Clean the wash filter whenever you see that it is dirty.

To do this, remove it by turning the handle (Fig. 5). Then clean it under the tap with the help of a brush (Fig. 6) and then reassemble by reversing the operation.

VERY IMPORTANT: Check that the filter is placed properly in the dispenser. To do this pull the filter handle up, it should not come away from the dispenser.

Cleaning the water supply filter

You should clean the water supply filter periodically.

To do so, refer to water supply connection of the Installation section of this manual.

The dishwasher should never operate without filters.

Cleaning the dishwasher itself

Cleaning the outside

Use warm, sudsy water to clean the outside of your dishwasher.

When finished, dry it well with a towel or cloth. Do not use abrasive detergents or sponges.

For added security, unplug the dishwasher while cleaning the outer parts.

Cleaning the inside

Before using your dishwasher for the first time, after a period of non-use or whenever you notice it is dirty inside, you should clean it.

To do so, fill the Detergent Dispenser with special Washing Machine Cleaner Detergent, set the wash program on normal and let the dishwasher run through the normal Wash Cycle.

Hints about your tableware

Tableware Pieces:

The dishwasher will wash any type of tableware pieces perfectly. When you purchase any new tableware, if at all possible buy those with smooth finishes and large openings.

Cutlery

Modern cutlery: Modern cutlery poses no problem whatsoever to the dishwasher wash.

Silverware: Avoid contact between Silverware and other cutlery. Due to the characteristics of silver, if they do come into contact with other materials, brown spots could appear. For this reason, the cutlery basket is divided into sections.

Aluminium objects

Aluminium, when washed by hand or in the dishwasher, becomes darker and darker. Aluminium pieces should not be placed below the detergent dispenser because spotting could occur.

Trimmed china

Just as when washed by hand, if the trim is not first rate, it will gradually wear away.

Crystal

Use the Economy program to wash your good crystal.

Plastic articles

Heat resistant plastic may be washed in the dishwasher. If you are uncertain, check to confirm these articles may be washed in the dishwasher with the establishment where you purchased them.

Wooden articles and clay casserole dishes

These should NOT be washed in the dishwasher.

Troubleshooting guide

What follows is a Troubleshooting guide to help you solve any problems that may arise while using the dishwasher.

If, after performing the recommendations of the guide, the problem persists, unplug the dishwasher, turn off the water and contact our Kleenmaid Customer Call Centre for assistance.

The dishwasher will not turn on:

- The electricity is off.
- The plug has not been properly inserted into the socket.
- The door is not completely shut.
- The On-Off button has not been pressed out correctly.

The Dishwasher is on but the water does not enter:

- The water supply is off.
- The water tap is turned off.
- The water inlet electrovalve filter fitted in the back part of the dishwasher is blocked (Fig. 7-A)

The tableware does not come out clean:

- You are not using special dishwasher detergent.
You haven't filled the detergent dispenser and closed its lid.
- The tableware has not been properly arranged in the trays.
- The spray arms are obstructed by a piece of the tableware. Before closing the dishwasher, be sure both spray arms are free to spin.
- The spray arm openings are blocked up by dirt or some foreign object.
- The wash filter is either dirty or has not been positioned correctly.
- The dirty tableware has been left for too long and has dried on.
- The drain hose is blocked.
- You have not selected the correct wash program.

The tableware does not come out shiny:

- You have not used rinse aid liquid appropriate for dishwashers.
- You have not correctly adjusted the rinse aid liquid amount.
- The rinse aid liquid dispenser is empty.

The tableware is not being sprayed:

- The motor protection device has disconnected the wash pump. Unplug the dishwasher and wait until the motor has cooled off.

If the problem persists contact our Kleenmaid Customer Call Centre for assistance.

INSTALLATION INSTRUCTIONS

Manual description

To help you as much as possible in the Installation of your dishwasher, we have included.

In this manual a series of illustrations which contain details of the interrelation of all the features as well as measurements and methods to keep in mind during installation.

Technical Specification Plate

The technical specifications plate containing technical information and the appliance serial number is bonded to the inside of your dishwasher door.

READ IT before proceeding with the electrical connections.

Electrical Connections

The electrical connections should be made by a specialist. A3 pin 240 v 10A socket is required.

Warning

Before installing the appliance and making both the water and electrical connections, it is extremely important that you are aware of your dishwasher's particular features if it is panelled or built-in, you will need to perform a series of preparations to achieve the perfect installation of the appliance.

Unpacking

Carefully remove all the protective material.

Important

Once all the packaging has been removed, change the adjustable front feet from POSITION A to POSITION B (Fig. 12)

If yours is a built-in dishwasher, first remove its upper protective board. Keep the adjustable feet in their A POSITION (Fig. 12).

Remove the packaging from around the trays inside the machine.

Operating

Read the "INSTRUCTIONS FOR USE" prior to operating the dishwasher.

Free-standing dishwashers

Introduction

Our free-standing dishwashers have been designed to be located in the spot most appropriate to your needs.

Measurements

(Fig. 13) shows the dishwasher's measurements. Study them. They will help you in the installation process.

Levelling and positioning

Before installing the dishwasher, the appliance must be well balanced on the floor and as perpendicular as possible.

Proceed to level it accordingly, correcting any possible floor irregularities.

This may be done by adjusting the height of the dishwasher's feet (Fig. 14).

Panelled dishwashers

Introduction

Our panelled dishwashers are designed so that you can locate them either separately or integrated among your other kitchen cabinets and appliances. In the latter case, you may easily adapt it to the decor and arrangement of the rest of your kitchen by performing a few simple operations.

Measurements

(Fig. 13) shows the dishwasher's measurements. Study them. They will help you in the installation process.

Levelling and positioning

Before installing the dishwasher, the appliance must be well balanced on the floor and as perpendicular as possible.

Proceed to level it accordingly, correcting any possible floor irregularities.

This may be done by adjusting the height of the dishwasher's feet (Fig. 14).

Removing the work top

If you wish to place the dishwasher between other kitchen appliances or cabinets and underneath the kitchen counter, you can remove the work top by loosening the two screws (Fig. 15).

Later, you will be able to utilize these same screws to fasten the appliance to the kitchen counter.

Door decoration

You can fit decorative panels to the door of your dishwasher so that it matches the surrounding decor.

This panneling may be up to 4mm thick.

Fitting the panels

1. Remove the door frame from your dishwasher by undoing the screws (Fig. 16).
2. Prepare the panel according to the measurements given in (Fig. 16) (597x587 mm).
3. Fit the panel you have chosen and screw the frame back into place.

Water supply connection

To connect the dishwasher to the water supply, use the pressure hose which has been supplied with the machine. Join it to a water tap with a 3/4" BSP thread (Fig. 17).

The Pressure when in operation should be between 21 kPa-690 kPa (3-100 psi). If the pressure is greater, connect a pressure reduction valve.

Very important

The water entry hose should be positioned so that it is smooth and straight and will not prevent the free entry of water into the dishwasher.

Kleenmaid advise that this dishwasher should be connected to cold water. (Hot water connection will reduce the overall performance). If connection to cold water is not possible, Kleenmaid recommends connection of a pressure reduction valve to the hot water tap.

Drain connection

The drain connection is made with a curved hose and the following requirements are:

1. The hose length should be more than 3 metres.
2. The end of the drain tube should rest between 0.5m and 1.0m above the floor (Fig. 18)
3. Always make sure it is straight and smooth to avoid obstruction of water flow.

Very important

When you have completed this connection, be sure that the curved tube is well anchored to the outlet. This will avoid water leaks and the risk of flooding.

Kleenmaid recommends the use of clamps in securing the drain hose to the sink spigot.

Important

Connections to tap and drain should be checked on a regular basis.

Electrical connection

The machine should only be used on the voltage shown on the rating plate at the rear of the machine.

Warning-This appliance must be earthed. If in doubt about the suitability of your 3 pin socket call a licensed electrical contractor.

WARRANTY AND SERVICE

DOMESTIC WARRANTY - FULL FIVE YEAR WARRANTY

In addition to all statutory rights which you, the Consumer have under the relevant laws in respect of this appliance, during the first five years of ownership as the original purchaser of this Kleenmaid appliance, we guarantee that any fault caused by faulty material or workmanship, becoming apparent will be rectified free of charge for parts and labour provided that all service is performed during normal working hours by Kleenmaid or their designated Agents. Where the appliance is installed outside the normal servicing area of the above, the Purchaser must pay for the cost of transporting the appliance to and from the Agent or the Agent's travelling cost to and from the Purchaser's home.

COMMERCIAL WARRANTY - ONE YEAR WARRANTY

When this appliance is installed in a commercial application, you, the Consumer, have under the relevant laws in respect of this appliance, during your first one year of ownership as the original purchaser of the Kleenmaid appliance, we guarantee that any fault caused by faulty material or workmanship becoming apparent, will be rectified free for charge of parts and labour, provided that all service is performed during normal working hours by Kleenmaid or their designated Agents. Where the appliance is installed outside the normal servicing area of the above, the Purchaser must pay for the cost of transporting the appliance to and from the Agent or the Agent's travelling cost to and from the Purchaser's home.

WHAT THESE WARRANTIES DO NOT COVER

We are not responsible for any damage or malfunction unless caused by a defect in material or workmanship. This includes but is not limited to abuse, misuse, improper installation and transportation damage. We are not responsible for any consequential damages from any malfunction.

WARRANTY DOES NOT COVER REPLACEMENT OF LIGHT GLOBES OR GLASS BREAKAGE DUE TO IMPACT

In case of fractured glass do not use your appliance.

WARRANTY REGISTRATION

Please complete the enclosed warranty card and post it to us or phone our Customer Call Centre.

SERVICE ASSISTANCE

To assist you when phoning our Customer Call Centre number to arrange a service call please complete the following details and have them ready when you call.

Model Number: _____ Date of purchase: _____

Kleenmaid Store purchased from: _____ Date of installation: _____

KLEENMAID CUSTOMER CALL CENTRE
CONTACT NUMBER
1 800 072 144