

DISHWASHER

c o l l e c t i o n



Instructions for Use and Warranty Details

Dishwashers DW2

 **KLEENMAID**
THE WORLD'S BEST

Contents

1. Getting Started

Basic Steps	Pages 1
How to Arrange the Dishes	2,3
Adding the Detergent	4
Filling the Rinse Aid Dispenser	5
The Wash Programmes	6
Selecting a Wash Programme	7

2. Washing Dishes by Machine

Glassware	8
Plastic	8
Pots and Saucepans	8
Silverware	8
Cutlery	9
Decorated China and Tableware	9
Woodware	9

3. Machine Information

Care and Cleaning	10
Problem Solver	11,12

4. Warranty and Service Centres

13

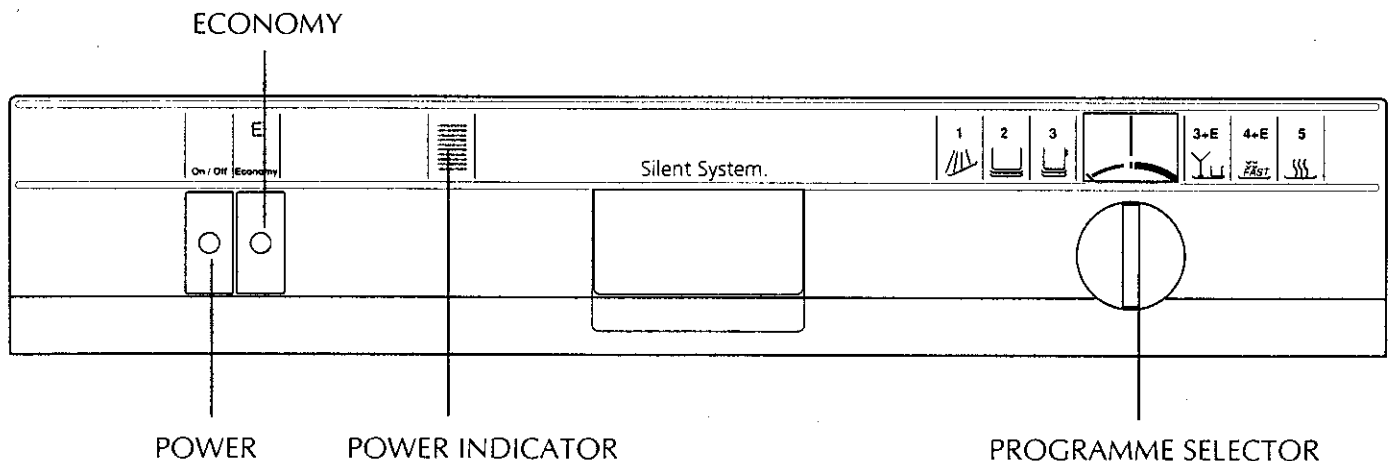
We recommend the use of "FINISH" Detergent and Rinse Aid to gain the best result from your KLEENMAID "Silent System" Dishwasher.

Basic Steps

Here is a basic guide to using your dishwasher. More detailed advice can be found in the pages that follow.

1. Arrange your dishes in the dishwasher baskets. (see pages 2,3)
2. Put 1 Tablespoon of detergent into the detergent dispenser. (see page 4)
3. Fill the rinse aid dispenser. This will last for about 60 washes. (see page 5)
4. Close the door. Select a Normal Wash by rotating the programme selector to position 3. (see page 7)
5. Press the POWER button to start the dishwasher. The indicator light will show. (see page 7)

The dishwasher has finished when the selector is again at position 1. To turn power off to the dishwasher, press POWER button. The indicator light will go off.



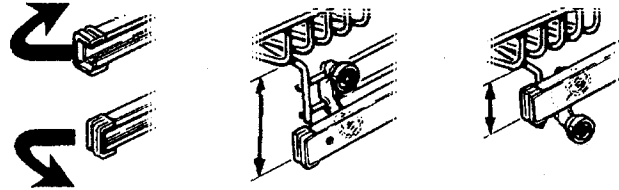
How to arrange the dishes

Correct loading of the Dishwasher will ensure good washing results.

Upper Basket

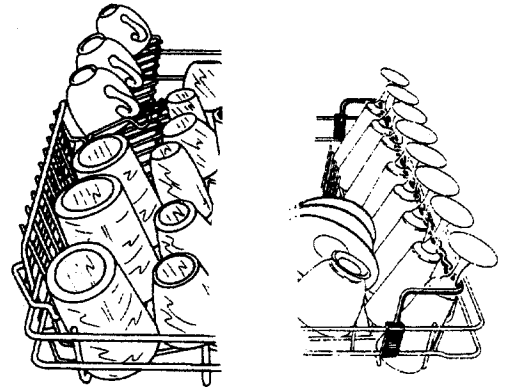
The height of the upper basket can be adjusted. This allows you to arrange tall items easily in either basket

- Unlock the small plastic end stops on the runners then remove the basket.
- Replace the basket in the new position then relock the end stops.



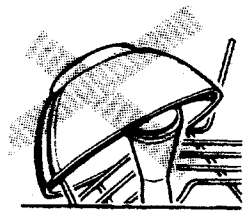
The upper basket is for cups, glasses and plates, small and delicate items. The glass rack ensures that wine glasses or light dishes are held safely.

Scrape off food scraps and place cups, glasses and bowls upside-down in the racks.



Long cutlery items such as ladels and long knives can be laid flat in the upper basket.

Take care not to overload the basket or block the water funnel.



- Check that the spray arms rotate freely.

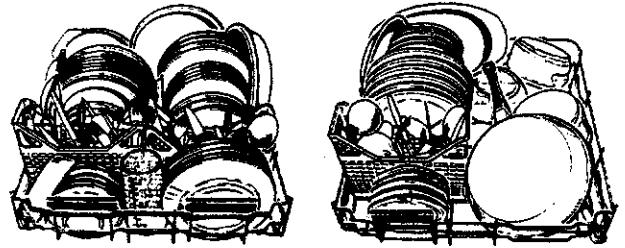
How to arrange the dishes

Lower Basket

The lower basket takes large dirty items, dinner plates, bowls, pots, lids, cutlery etc.

The racks in the lower basket are removable and can be arranged to suit your dishes.

Scrape off food scraps and arrange dinner plates in racks so they face the centre. Place mixing bowls and saucepans upside-down and tilted toward the centre of the dishwasher.

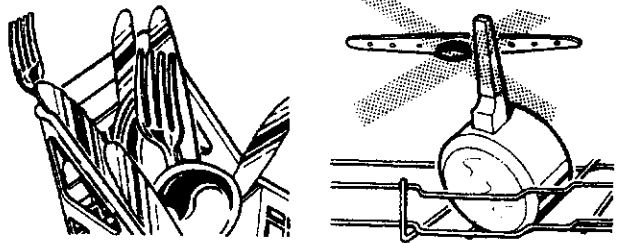
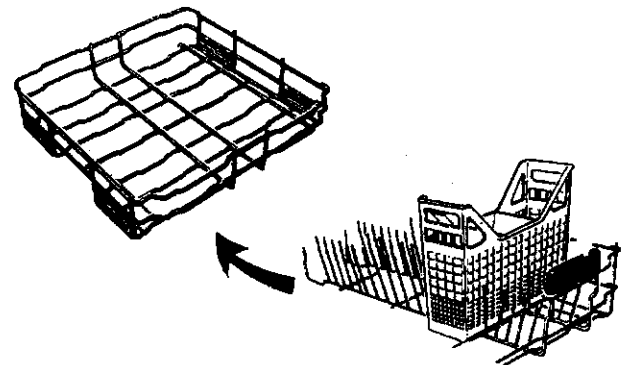


Cutlery Basket

Two removable cutlery baskets sit in the lower basket. Place cutlery in these baskets so that handles point down.

Mix spoons, knives and forks within each section of the basket.

Keep stainless steel and silver cutlery separate.



■ Check that the spray arms rotate freely.

Adding the detergent

Put detergent in the dispenser before each wash (except for Rinse & Hold). The detergent will be released automatically during the wash.

The dispenser is located on the inside of the dishwasher door. To open the detergent compartment, press the latch.

- Put 1 Tablespoon of detergent (20g) into the dispenser.
- Close the compartment lid firmly.
- For a standard load or if the dishes are very dirty, put an extra quantity of detergent (10g) on the bottom of the inner door as , shown.

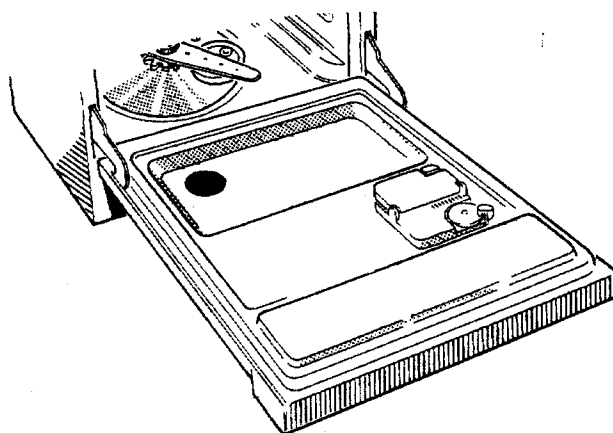
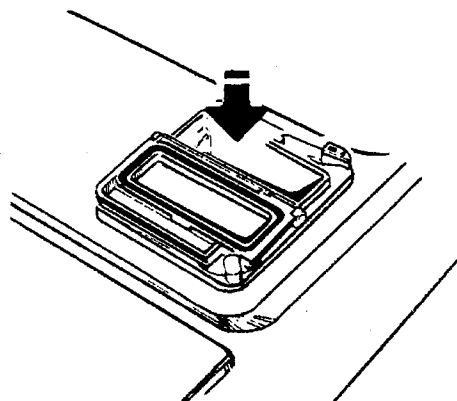
IMPORTANT

- Only use a detergent suitable for domestic automatic dishwashers.
- Never use hand washing-up liquids, soap powder, laundry powder or disinfectant. These will damage the dishwasher.
- Never sprinkle or pour detergent directly onto any item in the dishwasher.

WE RECOMMEND THE USE of "FINISH "
Detergent and Rinse Aid.

For Child Safety

Dishwashing detergent should be treated as a poison and stored where it is not accessible to children.



Filling the Rinse Aid Dispenser

Rinse aid is an important part of the wash system. Rinse aid helps you get spot free dishes and improves drying. A small volume of rinse aid will be automatically released into the final rinse.

The rinse aid dispenser is on the inside of the dishwasher door. When filled the dispenser holds enough for about 60 washes.

- Open the dispenser by unscrewing the filler cap.
- Pour the rinse aid into the dispenser, taking care not to overfill it.
- Close the dispenser by re-screwing the cap.

As rinse aid is used, the level indicator will become clear indicating the need for refilling.

- container full
- ◉ container nearly empty
- container empty, refill dispenser

How much Rinse Aid ?

The quantity of rinse aid dispensed can be adjusted as necessary.

- If there are white streaks on dishes and glassware after the final rinse or you live in a soft water area, turn the dispenser regulator to a lower rinse aid setting.

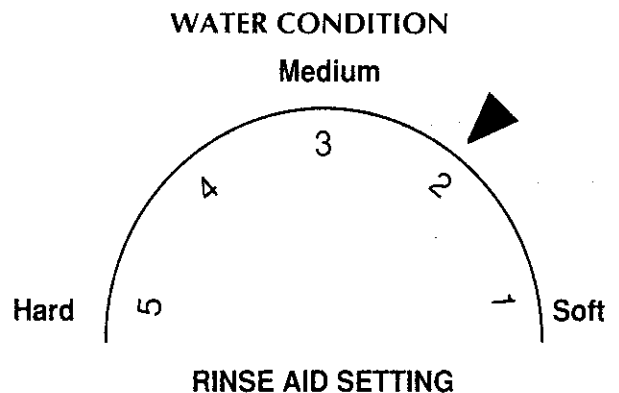
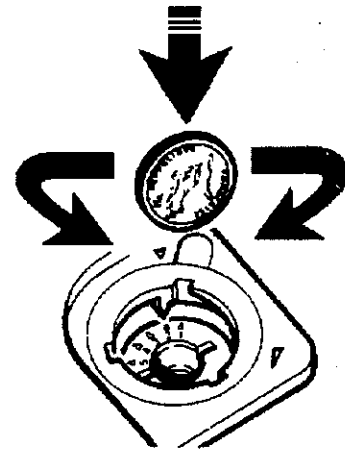
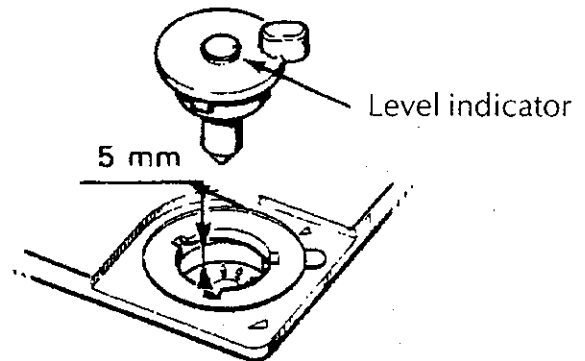
- If there are water marks on the dishes and glassware after the final rinse or you live in a hard water area, turn the dispenser regulator to a higher rinse aid setting.

To modify the dispenser adjustment, unscrew the filler cap, turn the adjustment ring with a coin.

If you are unsure about the condition of your water supply contact your local water supply authority or plumber. They will know.

For Child Safety

Dishwashing detergent and rinse aid should be treated as poisons and stored where they are not accessible to children.



The Wash Programmes

The chart below tells you which programme is best for your type of dishes.

PROGRAMME	TYPE OF LOAD	PROGRAMME SEQUENCE	APPROXIMATE WASH TIMES
1 RINSE & HOLD	Dishes that need rinsing, and will be washed later.	Short cold rinse	5 min.
2 HEAVY WASH	Very dirty dishes, including saucepans.	Intensive Cold Pre-rinses Hot Wash (60°) Cold Rinse Hot Final Rinse (60°) Dry	70 min.
3 NORMAL WASH	An everyday load of dirty dishes.	Cold Pre-rinses Hot Wash (60°) Cold Rinse Hot Final Rinse (60°) Dry	65 min.
4 SHORT WASH	Dishes that are not very dirty.	Hot Wash (50°) Cold Rinse Hot Rinse (60°) Dry	60 min.
5 PLATE WARMER	For clean platters and plates, before serving.	Hot Rinse Dry	30 min.

ECONOMY OPTION

This can be chosen with any wash programme, especially if your dishes are lightly soiled. Selecting ECONOMY saves you time and energy.

The wash temperature will be reduced from 60°C to 50°C and the programme time will be shorter.

NOTE :

Wash times are approximate only and based on mains pressure cold water at a temperature of 20°C. Wash times will be shortened if ECONOMY is selected. Wash times will be shortened if the dishwasher is connected to a hot water supply. Wash times will extend if water pressure is low, the water temperature is low, or if the room temperature is very low.

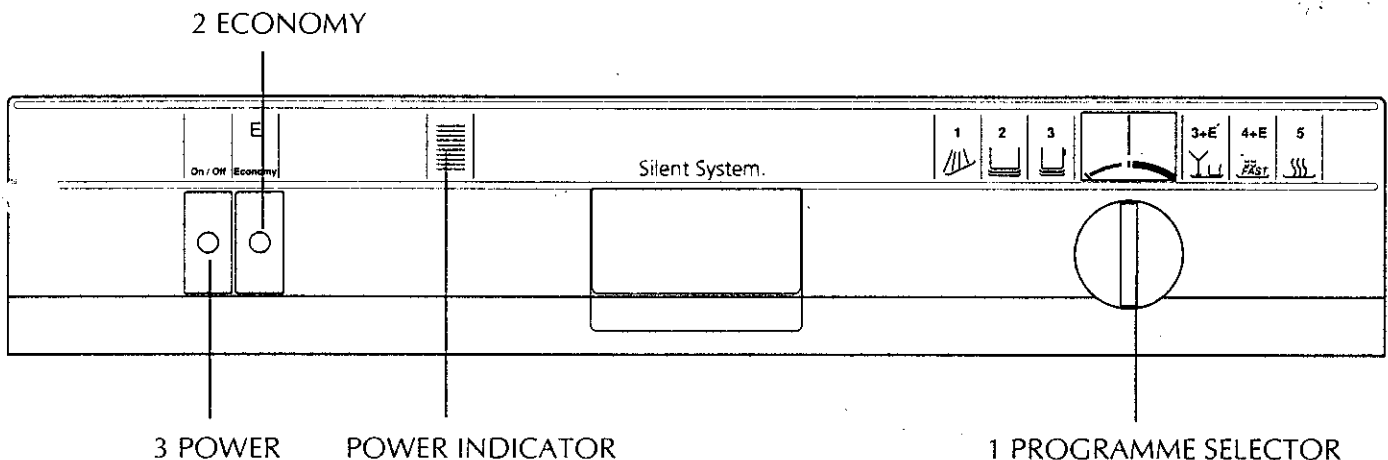
Selecting a Wash Programme

1. Turn the selector knob clockwise to the number of the programme you require.
 2. Press the ECONOMY button if you wish to select this option.
 3. Press the POWER button.
- The dishwasher will start operating and the indicator light will appear on the control panel.

NOTE :

If the ECONOMY option is selected by mistake, simply press the button again to cancel your previous choice.

- Whenever you touch the selector knob, make sure the POWER button is off, that is, released.
- The POWER indicator lights up when the dishwasher is turned on and stays lit until you press the POWER button off again.



Glassware, Plastics, Pots and Silverware

Glassware

Most glassware is dishwasher safe. We do not recommend washing crystal items in the dishwasher, as crystal is not dishwasher safe.

Plastic

- Soft plastic can change shape when heated. We recommend that you don't put soft plastic items in the dishwasher.
- Place small plastic items under the cup rack so they don't flip over.

Pots and Saucepans

- Pots and saucepans can be washed in the dishwasher. Scrape off food scraps and put items in the baskets upside-down.
- Stainless steel can be washed in the dishwasher.
- As when hand washed, aluminium is dulled by being washed in the dishwasher.

Silverware

- All silverware should be rinsed immediately after use to prevent discolouration caused by some foods. The RINSE & HOLD programme is useful for this situation.
- Old silverware and hollow handle knives with adhesives securing the handles should be washed by hand.

Cutlery, China and Woodware

Cutlery


- Stainless steel and silver should not be allowed to come into contact with each other, as this can stain the silver.
- Remove sterling and silver plated cutlery from the dishwasher and hand dry it immediately after the programme has finished.
- Wooden, bone and plastic handles can be sensitive to higher water temperatures. The appearance of these items may change over time if washed in the dishwasher.

Decorated China and Tableware

- Most current china patterns are dishwasher safe.
- Older items with the design over the glaze, gold rims and hand-painted china may be more sensitive to machine washing. If in doubt, wash these items by hand.

Woodware

Generally wooden items are sensitive to heat and water.

 Regular use in the dishwasher may alter their appearance. We suggest you wash wooden items by hand.

Remember, if in doubt about any aspect concerning materials washed in the dishwasher, follow manufacturer's instructions or wash the item by hand.

Care and Cleaning

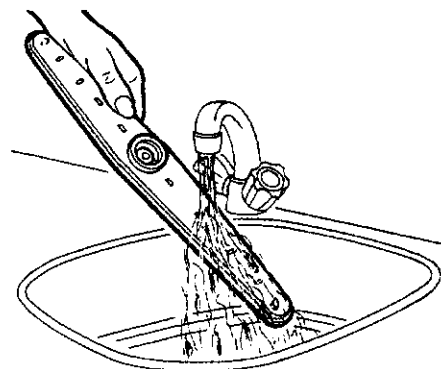
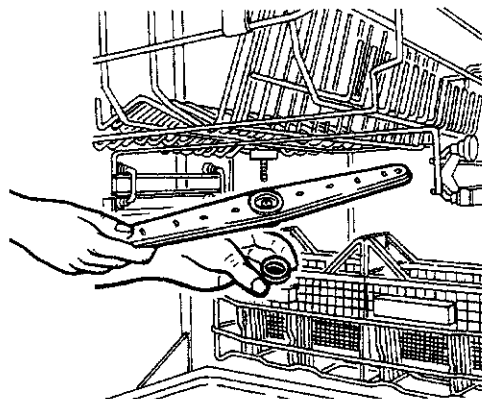
Do not use abrasive or solvent cleaners which may damage the surface finishes.

Checking the Spray Arms

Check the spray arms regularly to ensure the holes are not blocked.

To remove the spray arms :

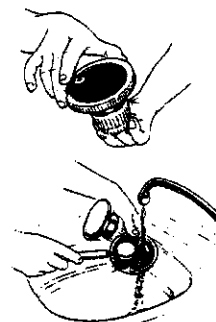
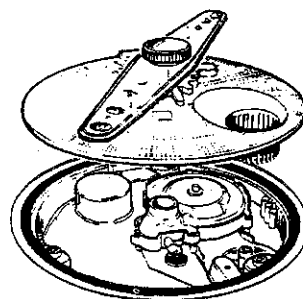
- Unload both dishwasher baskets and slide them out.
- Unscrew the spray arms. Shake out all foreign particles, rinse in water and replace.
- Ensure plastic top spray arm and steel bottom spray arm have side with most holes facing upwards.



Cleaning the Filter and Strainer

We recommend that you inspect the filters regularly and remove for cleaning if necessary.

- Slide out lower basket.
- Remove the small filter by pulling it upwards. Unscrew the cover. Rinse thoroughly and replace.
- To remove the main filter, unscrew the filter handle which is beneath the lower spray arm. Rinse thoroughly and replace securely.



Holiday Time

If the dishwasher is not to be used for some time, follow these steps :

- Ensure baskets are empty.
- Leave the inside of the dishwasher clean.
- Leave the door ajar to prevent a stale odour developing.
- Turn off the electricity and water supply to the dishwasher.

Problem Solver

If the dishwasher does not appear to be operating properly, check this chart before you call your Dealer or Authorised Service Centre for service.

PROBLEM	POSSIBLE CAUSE	WHAT TO DO
Dishwasher won't start	Electrical supply	Check power cord plugged in and switched on
	Door is not closed	Close door firmly
	Tap is not open	Check tap is turned on
Greasy spots	Not enough detergent	Increase quantity of detergent used
	Detergent too old	Use new pack of detergent
	Baskets are overloaded	Take care that dishes are correctly arranged in the baskets
Detergent deposited on the dishes	Too much detergent Water is saturated	Reduce detergent quantity
Food particles deposited on dishes	Filter or microfilter are incorrectly cleaned	Carefully remove and clean filters
Tea, coffee, juice stains etc...	Not enough detergent	Increase quantity of detergent used
Poor wash result	Baskets are overloaded	Ensure spray arms can rotate freely.
	Water does not circulate correctly	Take care that dishes are correctly arranged in the baskets
	Blocked spray-arms	Check that spray-arms rotate freely. Remove and clean spray-arms
	Insufficient care / cleaning	Check that filters, spray-arms, hinges and door surround are clean
	Poor filtering	Carefully remove and clean filters
	Programme selection	Select the wash programme suited to the dishes to be washed

Problem Solver

A lot of foam in bottom of dishwasher	Rinse aid setting too high Incorrect detergent used	Lower rinse aid setting Only use detergent suitable for domestic automatic dishwasher
Poor drying	Rinse aid dispenser is empty Rinse aid setting too low	Check that there is rinse-aid in the dispenser Increase rinse-aid setting slightly
Tarnished silver	Food particles like egg, milk cheese remain in contact with silver Electrolysis following contact with other metals	Silver should be rinsed clean any scraps immediately after use Keep stainless steel and silver items separate

NOTE :

The descriptions and specifications detailed in this manual are given as information only and are not to be considered as binding commitments. In reason of our concern about the quality of your products, we reserve the right to incorporate, without notice, any modifications or improvement we deem appropriate.

For your records

Date Purchased _____

Dealer _____

Serial N° _____

Model N° _____

Full, three year warranty

In addition to all statutory rights which you, the Consumer, have under all the relevant laws in respect of this appliance, during the first three years of ownership as the original purchaser of the Kleenmaid "Silent System" DISHWASHER, we guarantee that any fault caused by faulty material or workmanship becoming apparent, will be rectified free of charge for parts or labour, provided that all service is performed during normal working hours by Kleenmaid or their designated Agent.

Where the appliance is installed outside the normal servicing area of the above, the Purchaser must pay the cost of transporting the appliance to and from the Agent or the Agent's travelling cost to and from the Purchaser's home.

In addition the Stainless Steel Tub is guaranteed for twenty years.

For Service

Queensland

Kleenmaid, 37 Devian Street, Mansfield, Qld 4122
Fax : 07 349 4011, Phone : 07 349 0600

Western Australia

Kleenmaid, 12 Carson Road, Malaga, WA 6062
Fax : 09 249 4692, Phone : 09 249 3866

South Australia

Kleenmaid S.A., 8 Henry Street, Stepney, SA 5069
Fax : 08 362 6223, Phone : 08 363 1500

Victoria

Kleenmaid, 30 Jellico Drive, Scoresby, VIC 3179
Fax : 07 764 9410, Phone : 03 763 8755

New South Wales

Kleenmaid, 81 Bassett Street, Mona Vale, NSW 2103
Fax : 02 979 6710, Phone : 02 979 6622

Tasmania

Kleenmaid, 31 Frederick Street, Launceston, TAS 7250
Fax : 003 31 1459, Phone : 003 31 8378

Kleenmaid National Customer Service Phone : 008 072 144 (Freecall)