

DISHWASHER

c o l l e c t i o n



Instructions for Use and Warranty Details

Dishwasher DW22I



**Other products in Kleenmaid's
range of world's best appliances :**

Washers

Dryers

Dishwashers

Ovens

Cooktops

Outdoor Cooking Centres

Built-In Coffee Machines

Rangehoods

Sinks

Waste Disposals

Taps

Cookware

Refrigerators

Freezers

Wine Cellars

Vacuum Cleaners

Free-Standing Ranges

**For sales informations on the full range of quality
kitchen and laundry appliances, phone 13 13 08**

**Kleenmaid Head Office :
PO Box 5560 MAROOCHYDORE BC QLD 4558**

CONTENTS

| | Page |
|---|-------|
| Safety advice | 4 |
| Installation | 5-6 |
| Adding rinse aid | 6 |
| Adjusting the water softener | 7 |
| Loading the dishwasher | 8 |
| Adding washing detergent | 9 |
| Choice of programmes | 10 |
| Starting the machine | 11 |
| Glassware, Pots and Silverware | 12 |
| Cutlery, China and Woodware | 12 |
| Technical characteristics | 13 |
| Installation the door panel | 13 |
| Instructions for cleaning and maintenance | 14 |
| Troubleshooting | 15 |
| Illustrations | 16-17 |
| Instructions for labory tests | 18-19 |
| Warranty and Service | |

**BEFORE READING THESE EXPLANATIONS, CONSULT THE ILLUSTRATIONS
ON THE PAGES 16-17 OF THIS INSTRUCTION MANUAL**

SAFETY ADVICE

Please read the instructions in this booklet carefully. You will find instructions necessary for security, installation and using your machine as well as the guarantees. We advise you to keep the booklet and pass it on if you sell the machine.

We cannot accept responsibility if the instructions below are not followed :

- Please destroy the packaging in an appropriate way and in compliance with environmental protection legislation.
- If the machine is visibly damaged, do not connect it and contact your dealer.
- It should be placed in a frost-free area. In case of frost, the hydraulic systems may be damaged.
- The water supply and evacuation pipes must be connected according to instructions. Incorrect connections may cause damage.
- To ensure proper stability, built-in machines should be installed below a continuous work surface fixed to the adjoining cabinets.
- You should not stand or lean on the open dishwasher door. The machine could tip over or be damaged.
- The machine is intended to wash dishes and should not be put to other uses.
- Using solvents to clean or maintain your machine is highly unsuitable.

You should store dishwasher products as well as other cleaning products out of the reach of children. These products have a corrosive effect on the mouth and pharynx if they are swallowed.

- If the machine malfunctions due to other causes than those mentioned in this booklet, disconnect the machine (remove the plug) or break the circuit concerned and contact our after-sales service.
- The machine complies with applicable safety regulations. Any repairs should only be carried out by qualified technicians. Repairs or changes that do not conform may be dangerous for the user. In case of replacement, only use original parts.
- Broken machines should be taken to the closest recycling centre. Destroy the door closing system so it no longer works (children may close themselves in whilst playing and suffocate). Cut the electric cable after having removed the plug from the socket.
- You are strongly advised to disconnect the machine after use and turn off the water supply.
- Do not let children play with the machine or touch it.
- The water inside the machine is not suitable for drinking.
- When the machine is running, do not open the door. This may provoke steam leakage or splattering of water.

This appliance is not intended for use by young children or infirm persons unless they have been adequately supervised by a responsible person to ensure that they can use the appliance safely.

Dishwasher detergents are strongly alkaline. They can be extremely dangerous if swallowed. Avoid contact with the skin and eyes and keep children away from the dishwasher when the door is open. Check that the detergent receptacle is empty after completion of wash cycle

INSTALLATION

IMPORTANT ! :KLEENMAID RECOMMENDS THAT YOUR DISHWASHER BE INSTALLED BY AN AUTHORISED Kleenmaid INSTALLER OR SERVICE AGENT !!

Before you start :

- 1 . These instructions are intended as a guide only. It is the responsibility of the Plumber and Electrician to ensure that each installation complies with local by-laws.
- 2 . Connection to cold water is recommended.
- 3 . This Dishwasher must not be connected to a water supply where the temperature of the water exceeds 65 °C. If this Dishwasher is to be connected to a system where there is no temperature control, a temperature control valve, limiting the water temperature must be fitted.
- 4 . When installing the Dishwasher, check that the drain hose does not become restricted or kinked.

Levelling : Adjusting the feet :

Make sure that the machine is properly upright and stable. The four feet may be altered, adjust them if necessary using a wrench or a screwdriver. Badly adjusted feet may move the door off centre and make the machine unstable. **IMPORTANT : Do not connect the dishwasher to the power or water supply before completing installation.** If you are installing your dishwasher on carpet, adjust the feet so that you leave space for air to circulate underneath the machine.

Fitting your machine into your kitchen :

The building in sizes for the machine are given in the "technical characteristics" chapter on page 13. Glue the steam protector supplied with your machine underneath your worktop. To maintain stability and proper alignment, **you should attach** your machine to the work surface using a bracket.

Fitting the door panel :

Mount the door using the instructions and template supplied with the machine

Consult page 13 of this manual for this operation and use the assembly template and accessories supplied with your machine. Adjust the springs to set the door. You will find this easier with the door closed.

Important : This machine operates equipped with wood panels.

Plumbing :

1 . Water Connection

- This Kleenmaid "Super Silent System" Dishwasher can be connected to cold water or hot water not exceeding 65 °C.
- We recommend that the Dishwasher is connected to a cold water supply.

NOTE : Connection to a hot water supply will change the length of the wash cycles and can reduce the drying efficiency of the dishwasher.

2 . Water Supply (Fig. 2)

- a . The water supply to the Dishwasher should not be less than 12 mm domestic water pipe. A readily accessible tap must be installed in the supply pipe.
- b . The inlet connection hose supplied is fitted to a 3/4" BSP male thread, which must have an adequate sealing face for the washers supplied.
- c . If the Dishwasher is connected to a hot water supply, then the water temperature at the Dishwasher must never exceed 65 °C.
- d . The water supply pressure is to be between 0.2 MPa (3.0 psi) minimum and 0.7 MPa (100 psi) maximum.

If pressure is greater 100 psi, it is recommended to fit a pressure limiting valve to prevent damage from rises and increased pressure of peak demand.

INSTALLATION CONTINUED

Protection against water damage :

Your machine is equipped with systems that protect you from flooding.

- **Anti-overflowing mechanism.** This system activates the waste pump if the water level in the tub reaches an abnormal level.
- **Anti-leakage device.** This system interrupts the water supply if a leak is detected underneath the machine.

If one of these mechanisms is started, contact the after-sales service to put it back into working order.

Your machine is equipped with a anti-bursting pipe.

Evacuating waste water (Fig. 3)

Connect the waste pipe

A. Either to the ventilated siphon. The waste pipe must be free in the siphon and should be no deeper than 20 cm.

B. Or on the sink siphon. Be careful not to forget to remove the siphon cover.

Be careful to fix the waste pipe down with a tie to avoid any flooding. In any case, the end of the pipe must be between 60 cm and 1 m high. Avoid folding the pipe when installing.

- Horizontal drain lines should not exceed 5 m length.

- Ensure that the drain hose is fully extended and not restricted in any way.

NOTE : Do not connect drain hose directly to a waste disposal unit as blocking with food waste will occur.

Connecting to the power supply :

You should use an earthed plug to connect to the power supply. In case of a direct connection, the main switch terminal should be at least 3 mm apart.

The electric plug should remain accessible. Do not use an extension lead or multiple plug.

- **We cannot be held responsible for any incident caused by the machine being badly earthed.**

In any case, the machine must be fitted in compliance with the applicable regulations in your state as well as any extra instructions from the Electricity Company. The machine's approval and model are indicated on the sticker fixed to the left-hand side of the door. The machine must be turned off when connecting to the electric circuit.

Replacing the electric lead

WARNING : In the interests of safety, the electrical supply lead should **ONLY** be replaced by the manufacturer's after-sales staff or a similarly qualified person.

ADDING RINSE AID

Rinse aid is necessary as it avoids stains on the dishes and makes drying easier.

IMPORTANT ! Only use products intended for dishes and NOT detergents intended for hand washing !

If the product overflows on filling, remove the excess with a sponge to avoid any foam forming.

If you experience stains or bad drying after several cycles, you may adjust the dosage using the selector :

Soft water : level 1 to reduce the dose

Hard water : level 3 to increase it.

Finding the level of the rinse aid :

A light on the control panel comes on when you need to add rinse aid.

For child safety :

Dishwashing detergent and rinse aid should be treated as poisons and stored where they are not accessible to children.

Filling and adjusting the rinse aid container (Fig. 5-6) :

Put the door in a horizontal position when filling the container and unscrew the cap in the door counter clockwise.

Fill to just below the adjusting lever.

ADJUSTING THE WATER SOFTENER

The water softener must be adjusted correctly to ensure no streaks after washing and drying. Your dishwasher is fitted with a water softening system that operates using regenerating salt. You must set the water softener according to the hardness of the water in your area.

① - Measuring the water hardness

To do this: contact your local water supplier to find out the water hardness level and adjust on the machine as described below.

② - Setting on the control panel

| Testing strip | Water hardness | Salt required | Water softener setting |
|---------------|----------------|---------------|------------------------|
| | 0 - 10°F | NO | c0 |
| | 10 - 18°F | YES | c1 |
| | 18 - 25°F | YES | c1 |
| | 25 - 40°F | YES | c2 |
| | 40 - 55°F | YES | c3 |
| | 55 - 70°F | YES | c4 |
| | > 70°F | YES | c5 |

Hold down the **"Prewash"** button and press the **"Start / Cancel "** button:

The water softener's setting is then shown on the display.

The display shows the water hardness in accordance with the above table. When first switched on, the display shows *c1* (setting for 10 - 25°F).

To change the setting, press the **"Prewash"** button as many times as required to obtain the water softener setting recommended by the testing strip.

You must fill the salt reservoir with water before using the machine, even if the water softener setting selected does not require any regenerating salt.

If you move house and take the dishwasher with you, you will need to check the water hardness and adjust accordingly.

For good wash results it is very important to set the dishwasher to the correct level of water hardness and to set the correct level of rinse aid (see page 6)

③ Filling the regenerating salt reservoir You must fill this, with water just before starting your first wash then add the salt:

Filling with salt is essential to obtain a **good wash with no streaks**. The salt regenerates the resins, which soften the water by removing its limestone content unless the water is already sufficiently soft (see "Adjusting the water softener").

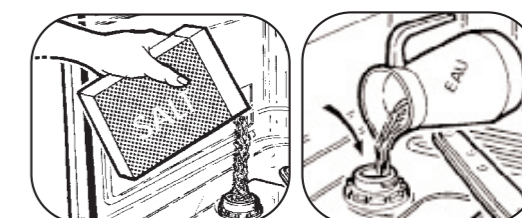
Salt reservoir



Never put detergent in this reservoir: this will ruin the water softener.

- Unscrew the salt reservoir's stopper and remove it.
- Use the funnel to introduce the salt, available from the after-sales department under reference : 31X3964.
- Fill the reservoir with **regenerating salt** specially designed for dishwashers.
- **On the first time, add water until it reaches the edge of the reservoir.**
- Screw the salt reservoir's stop back in fully.

Do not use kitchen salt.



Should any regenerating salt overflow when filling, we recommend that you remove the loose salt crystals to avoid oxidising the tub.

The salt product indicator light :

This illuminates showing salt needs to be added. After you have refilled the salt reservoir, the light may still remain lit until the salt has dissolved sufficiently, generally after one cycle

If the water is especially soft and does not require the use of any regenerating salt, the SALT light remains lit.

LOADING THE DISHWASHER

For best washing results, be careful before loading dishes to remove food residue. Any burned or stuck leftovers should be removed.

Your dishwasher has two baskets for 12 place settings (132 pieces) according to AS 2007 (Fig. A-B-C see page 19). Always turn the inside of the dishes towards the bottom. Be sure that no dish hides others and the spray jet is not obstructed. Check that the spray arm is free to rotate.

Lower basket (Fig. 7-9-10)

Place the dishes so that water may circulate freely and spray all the utensils. (Avoid attaching and piling dishes up).

This basket is especially intended to hold:

plates, cutlery, dishes, frying pans, saucepans. Dishes and frying pans can be placed on the right-hand side or even in the front.

Avoid mixing plates and soup dishes. You should preferably place same-sized plates together. Place soup dishes at the back, in the high pin area.

Make sure nothing obstructs the rotation of the lifting arm (saucepan handles, cutlery or large dishes).

Collapsible racks on the front and back of the basket facilitate storing large recipients.

The **cutlery baskets** are sliding and can be placed in any area of the lower basket meaning that you can change the layout according to the type of dishes you are washing.

Removable grids are adaptable to cutlery baskets allowing you to arrange cutlery, especially small spoons, as you wish.

For optimum washing, you can use the separation grids.

Cutlery (Fig. 8)

- Place handles downwards.
- It is preferable to place small spoons in the separating grids.
- Avoid washing wooden, bone or hollow handled cutlery in the machine.
- Separate silverware from other metals using the separating grid.

Important note: For reasons of safety, we recommend you place sharp-ended table knives blade down in the cutlery basket.

Long-bladed cutlery and other sharp utensils should be placed flat in the upper basket.

Upper basket (Fig. 10-11)

This basket is particularly intended to hold glasses, cups, ramekins, small salad bowls, bowls, saucers etc...

Place glasses so that they do not touch and tip them sufficiently so that they do not retain any water. **Place the hollow end of glasses, cups and bowls facing downwards.** Arrange the dishes methodologically to gain space (rows of glass, cups, and bowls).

You can also stack cups, ladles, etc. on the racks.

You can place a cutlery basket in the upper basket.

If your cutlery or your plates are too large, adjust the height of the upper basket

The **"Mezzanine"** (Fig. 12) wire shelf enables you to load cutlery of any size. You can place it either in the upper or lower basket.

The upper basket should be adjusted to the HIGH position when loading large plates in the lower basket..

Setting the HIGH POSITION

Slowly lift the basket until you hear a **click** on each side.

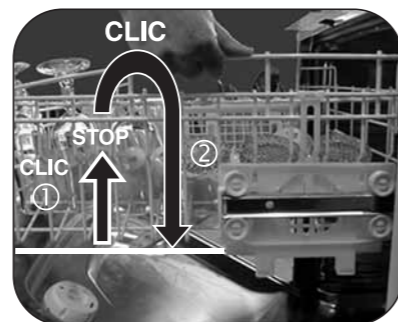


Setting the LOW POSITION

Lift the basket completely on both sides (**click**) and then follow it downwards.



Make sure that the two runners are adjusted to the same level.



ADDING WASHING DETERGENT

The washing product dispenser has been placed in front of the upper basket to make the machine easier to fill. This means that you can load the washing powder without bending down or completely opening the door. Use washing products specifically designed for dishwashers, either tablets, powder or liquid detergent.

We recommend using the Finish range of Dishwasher detergents.

Before running a programme :

- Put the tablet in the outside compartment.

OR

- Pull the dispenser out to fill with powder, liquid or tablet. Minimum and maximum levels are marked on the inside of the dispenser and represent approximately 5-25 grams or 2-5 teaspoons. Amount required to be used for each load may vary according to the conditions such as dirtiness of the dishes, water hardness and detergent type. Close the dispenser.

See the manufacturers' recommendations on the packet as well as the advice for use below.



tablet



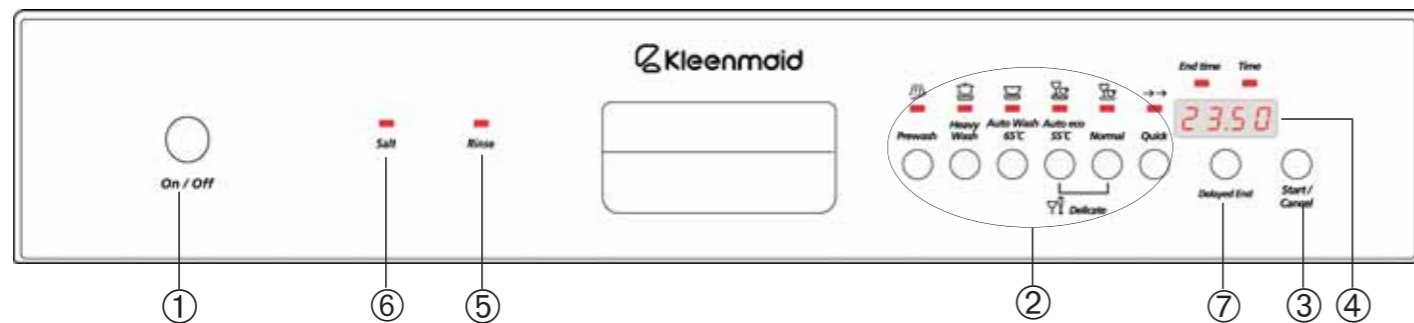
powder or liquid

For child safety

Warning - Dishwasher detergents are strongly alkaline. They can be extremely dangerous if swallowed. Avoid contact with skin and eyes and keep children away from the dishwasher when the door is open.

Check that the detergent dispenser is empty after completion of the wash cycle !

CHOICE OF PROGRAMMES



- ① ON/OFF BUTTON Press this button to power your machine
- ② PROGRAMME BUTTON Press one of these buttons to select your programme.
- ③ START / CANCEL BUTTON Press this button to start or cancel the programme
- ④ DISPLAY: This shows you the length of the programme, the current time, the time the programme finishes and the water hardness setting.
- ⑤ RINSE LIGHT: This indicates that there is no rinsing liquid.
- ⑥ SALT LIGHT: This indicates that there is no regenerating salt.
- ⑦ DELAYED END Press this button to select the time you wish the programme to finish.

Prewash

This very short cycle, used without detergent, rinses dishes waiting to be washed the next day or the day after.

Heavy Wash 70°C

Recommended for very dirty dishes with large quantities of dry or resistant stains : fat, sauce, cooking and frying stains. Every day and cooking dishes.

Auto Wash 65 °C

Automatically detects the amount of washing up and the level of soiling.

Normal amount of dried-on, adhering residue: everyday items. Faster but more consuming in energy.

Auto eco 55 °C

Automatically detects the amount of washing up and the level of soiling.

Normal amount of dried-on, adhering residue : everyday items.

Normal 50°C

Recommended for normally soiled load less consuming in energy.

Delicate 40°C (Auto eco 55 °C + Normal)

Recommended for fragile and slightly dirty dishes with a small amount of slightly resistant stains : glasses, china that does not support high temperatures.

Quick 40°C

Recommended for slightly dirty non greasy but fragile dishes.

For information purposes :

| | Duration | Water | Electricity |
|--------|----------|-------|-------------|
| Normal | 140 mins | 16L | 0.75 kWh |

These values refer to normal conditions of use. They may vary depending on the load, the temperature, the hardness of the water or the supply voltage.

STARTING THE MACHINE

Time Setting:

When the machine is first switched on, the clock reads 00:00 and the colon flashes. To set the current time, hold down the "Prewash" button and press the "Delayed End" button to set the hour. Continue to hold down the "Prewash" button for a few seconds and press the "Delayed End" button again to set the minutes.

Selecting a washing programme

Press the "On/Off" button to switch on the machine.

Refer to the Programmes see page 10 to determine the best programme for the amount of washing up and how dirty it is.

The display shows the current time.

Press the button for the programme you desire; the illuminated light shows the selected programme, and the display shows the remaining time of program during a few seconds.

To change your selection, press another programme button.

Press "Start / Cancel" : the display shows the remaining time of program selected.

Starting the programme immediately

Select your programme and press "Start / Cancel".

The programme starts and the display shows you the approximate time to the end of the programme.

Delaying the End of the programme

Press the "Delayed End" until you reach the desired programme finishing time. The display flashes.

Press "Start / Cancel" to confirm your choice of programme.

The display flashes **---** until the start of the programme. If you press "Delayed programme end", the display shows the programme "Finishing Time".

The "End Time" light is permanently illuminated.

Cancelling a programme

Hold down the "Start / Cancel" button for two seconds. The current programme is interrupted. The display shows the current time and the "current time" light illuminates. You can then select another programme.

Programme end

At the end of the programme, the display shows "STOP" until the door is opened.

Once the door has been opened, the display shows the current time.

Air drying

The ventilation system is re-activated for 5 minutes every hour until the door is opened.

Advantages: Your washing up and the tub are perfectly dry.

Do not place anything in front of the door (bags, tea towels, etc.), which may block the ventilation grid.

Your machine is pre-set at the factory to run the ventilation system for a maximum of 5 hours.

If the water is especially soft and does not require the use of any regenerating salt, the salt light remains lit.

The safety systems

Door poorly closed:

The light for the selected programme flashes.

Keypad locking:

While the programme is running, the system automatically protects the keypad from being used. The keypad unlocks automatically when the programme finishes or if the programme is **cancelled**.

Filter cleaning warning:

Approximately once a month, your machine will advise you to service the filters **FILE** (see page 14).

Economical and ecological washing

Do not prewash you dishes by hand.

Use your dishwasher to the full. Washing will be economical and environmentally friendly.

Always choose the programme best adapted to the type of dishes and according to the degree of dirt.

Avoid overdosing detergents and rinsing liquid. Observe the recommendations in this manual (pages 6-7-9) as well as the instructions on the product packaging.

GLASSWARE, POTS AND SILVERWARE

Glassware

Most glassware is dishwasher safe. We do not recommend washing crystal items in the dishwasher, as crystal is not dishwasher safe.

Pots and Saucepans

■ Pots and saucepans can be washed in the dishwasher. Scrape off food scraps and put items in the baskets upside-down.

■ Stainless steel can be washed in the dishwasher.

■ As when hand washed, aluminium is dulled by being washed in the dishwasher.

Silverware

■ All silverware should be rinsed immediately after use to prevent discolouration caused by some foods. The "Prewash" programme is useful for this situation.

■ Old silverware and hollow handle knives with adhesives securing the handles should be washed by hand.

CUTLERY, CHINA AND WOODWARE

Cutlery

■ Stainless steel and silver should not be allowed to come into contact with each other, as this can stain the silver.

■ Remove sterling and silver plated cutlery from the dishwasher and hand dry it immediately after the programme has finished.

■ Wooden, bone and plastic handles can be sensitive to higher water temperatures. The appearance of these items may change over time if washed in the dishwasher.

Decorated China and Tableware

■ Most current china patterns are dishwasher safe. However, we advise checking with the manufacturer.

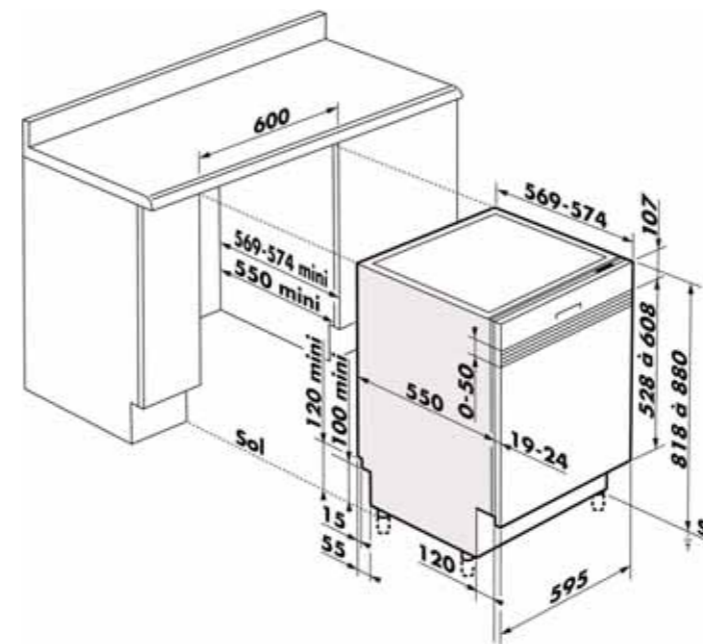
■ Older items with the design over the glaze, ie. gold rims and hand-painted China may be more sensitive to machine washing. If in doubt, wash these items by hand.

Woodware

Generally wooden items are sensitive to heat and water. Regular use in the dishwasher may alter their appearance. We suggest you wash wooden items by hand.

Remember, if in doubt about any aspect concerning materials washed in the dishwasher, follow manufacturer's instructions or wash the item by hand.

TECHNICAL CHARACTERISTICS

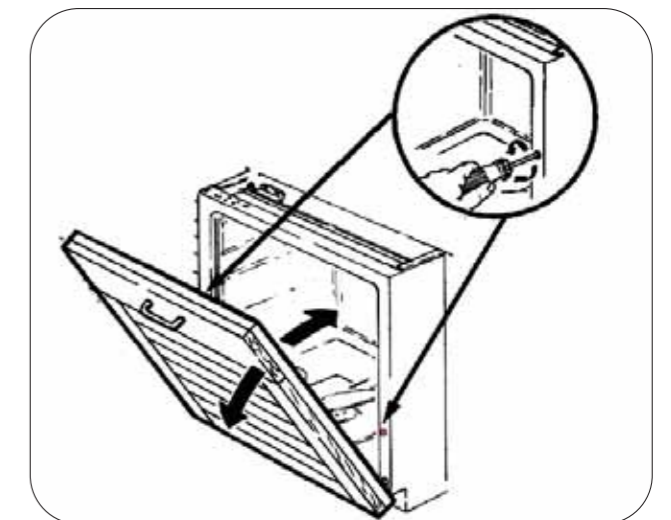


Voltage : 230-240 V – 50 Hz – Fuses : 10 A
 Power : 2150-2300 W
 Capacity : 12 place settings
 Water pressure : 3 psi/0.2MPa min
 100 psi/0.7 MPa max
 Water evacuation pipe height : 60 cm - 1 m
 This dishwasher can only use hot water pipe up to 65°C.

INSTALLATION THE PANEL DOOR

Mount the door using the plans supplied with the machine.

Do not forget to add the 4 fixing screws supplied in the plastic bag.



Do not forget to adjust the tension of the door spring.

INSTRUCTIONS FOR CLEANING AND MAINTENANCE

Cleaning the waste filters

The filtration system consists of several components:

- A - The two-part waste filter
- B - The main filter
- C - The micro-filter

① Before removing the filters, remove any waste from the main filter with a sponge to avoid the waste blocking the sprinkling arms.

② Unscrew the waste filter a quarter turn and remove it.

③ Remove the main filter

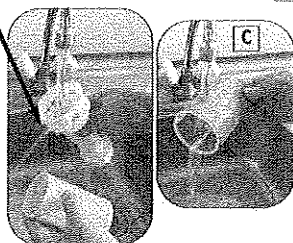
④ Remove the micro-filter.

A - Two-part waste filters.

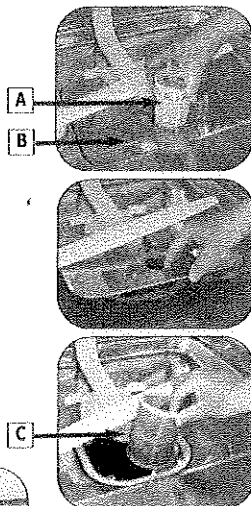
⑤ Carefully clean all the filters under running water.

To re-inset the filters
Follow the above instructions in reverse.

⚠ Important: Do not forget to lock the waste filter by turning it a quarter turn.



The filters are located in the middle of the tub and must be cleaned regularly to ensure optimum washing results.



Clean as necessary

- Underneath the filters, around the door and the door joint with a damp sponge to remove any deposit.
- Use only soap and water for the body and control panel.
- Do not clean with abrasive powders, scouring pads, spirit-based products or solvents. Preferably use a cloth or a sponge.
- If you have a stainless steel door you may use products adapted for stainless steel. See the manufacturer's instructions for advice on their use.

We recommend using 3M Stainless Steel Cleaner. Please contact our After Sales Service on 1 300 652 100 or your nearest store on 13 13 08.

Every year

To maintain your machine in perfect working order you should clean it once or twice a year. Run on "Universal 65 degrees" programme with the machine empty and a special dishwasher cleaning product available from any reputable dealer.

Prolonged period of non-use

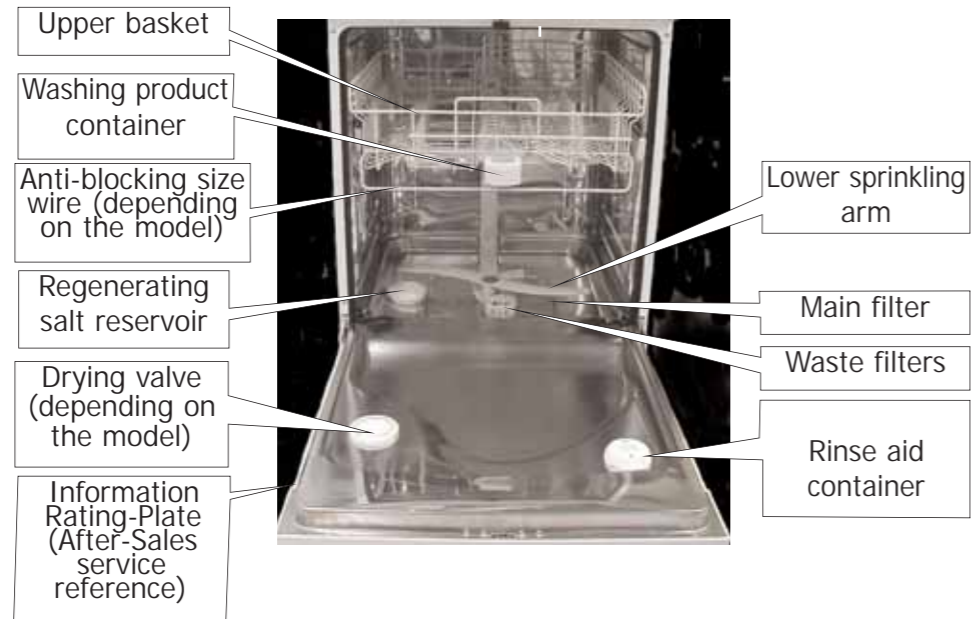
Clean your machine completely then unplug the electricity supply and close the water tap.

TROUBLESHOOTING

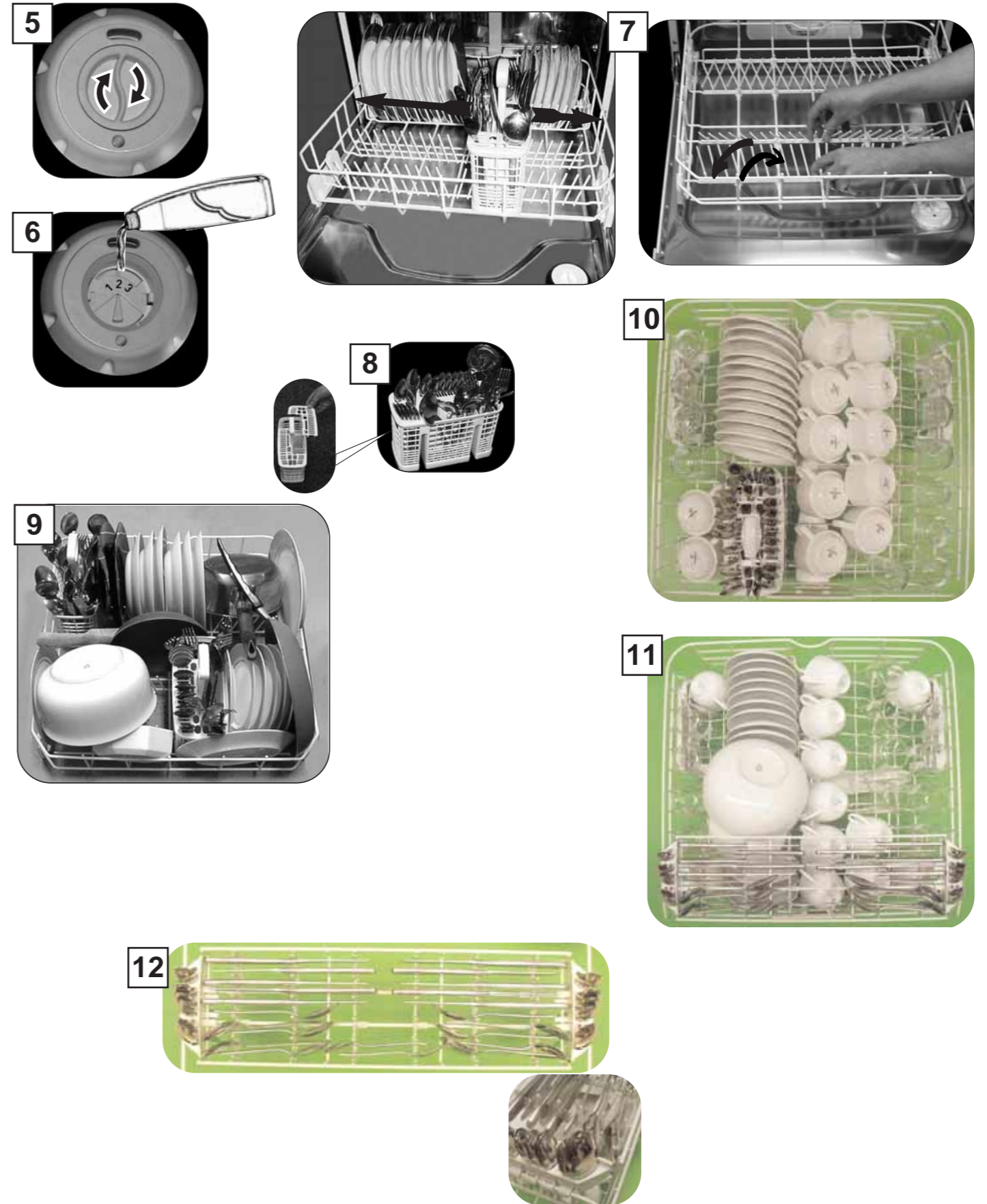
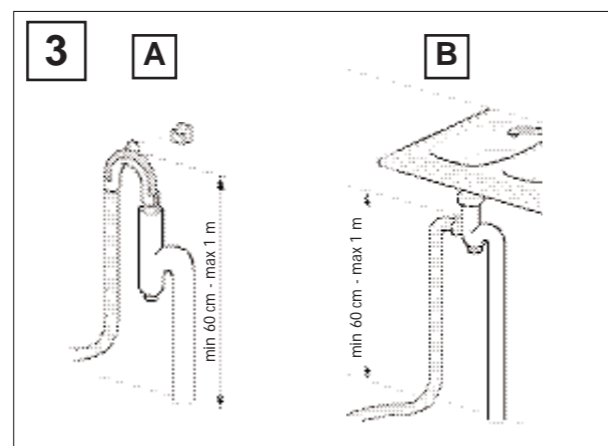
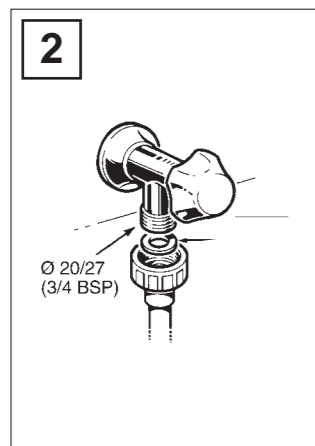
| Problems | Causes |
|------------------------------------|---|
| The dishwasher will not start | <ul style="list-style-type: none"> - Is it plugged in ? - Is the door properly closed ? - Is the water connected ? |
| The dishes are not properly washed | <ul style="list-style-type: none"> - Programme choice. Choose the programme best adapted to the type of wash - Make sure nothing is blocking the circulation of the water - Check the dishes are properly arranged. - Only use specially designed washing products - Check the waste well, filters, arms, joints and door rim are clean - Clean the filter - Check that the washing arm can freely rotate - Check the amount of dishwasher detergent being used and adjust to recommended dose. See page 5. |
| Greasy stains | <ul style="list-style-type: none"> - Increase the dose of washing product - Use a new packet of washing product - Choose a better adapted programme |
| Limescale deposits on the dishes | <ul style="list-style-type: none"> - Check it is limescale (clean with vinegar). If yes : - Check the hardness of the water |
| The dishes are dull | <ul style="list-style-type: none"> - Too soft water is aggressive for glasses. - Check the hardness of the water |
| Blackened or marked silverware | <ul style="list-style-type: none"> - Remove food residue immediately after use - Separate silverware from other metals - Choose detergent recommended for silverware |
| Traces of rust on knife blades | <ul style="list-style-type: none"> - Use knives suitable for dishwashers |
| The dishwasher does not empty | <ul style="list-style-type: none"> - Check the drain pipe is not bent or crushed - If connected to the 'S' trap spigot under the adjacent sink, remove hose and check for blockages in the spigot. |
| The salt light remains lit | <ul style="list-style-type: none"> - If the water is especially soft and does not require the use of any regenerating salt. <p>This machine complies with all applicable safety standards. Any repairs should be carried out by a qualified technician. Repairs carried out by unqualified technicians may be dangerous for the user.</p> |

If you have problems not covered by these remarks, contact Kleenmaid After Sales Service on phone 1 300 652 100.

ILLUSTRATIONS



The photograph above, with lower basket removed, shows you the main parts described in this instruction manual.



INSTRUCTIONS FOR LABORATORY TESTS

ENERGY EFFICIENCY TESTS ACCORDING TO AS/NZS 2007 PROGRAMME : NORMAL

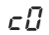
Arrange items as shown in Figures **A - B - C** (see **IEC load**)

Washing capacity : 12 **IEC** standardised place setting

Detergent dose : 5+25 g of detergent

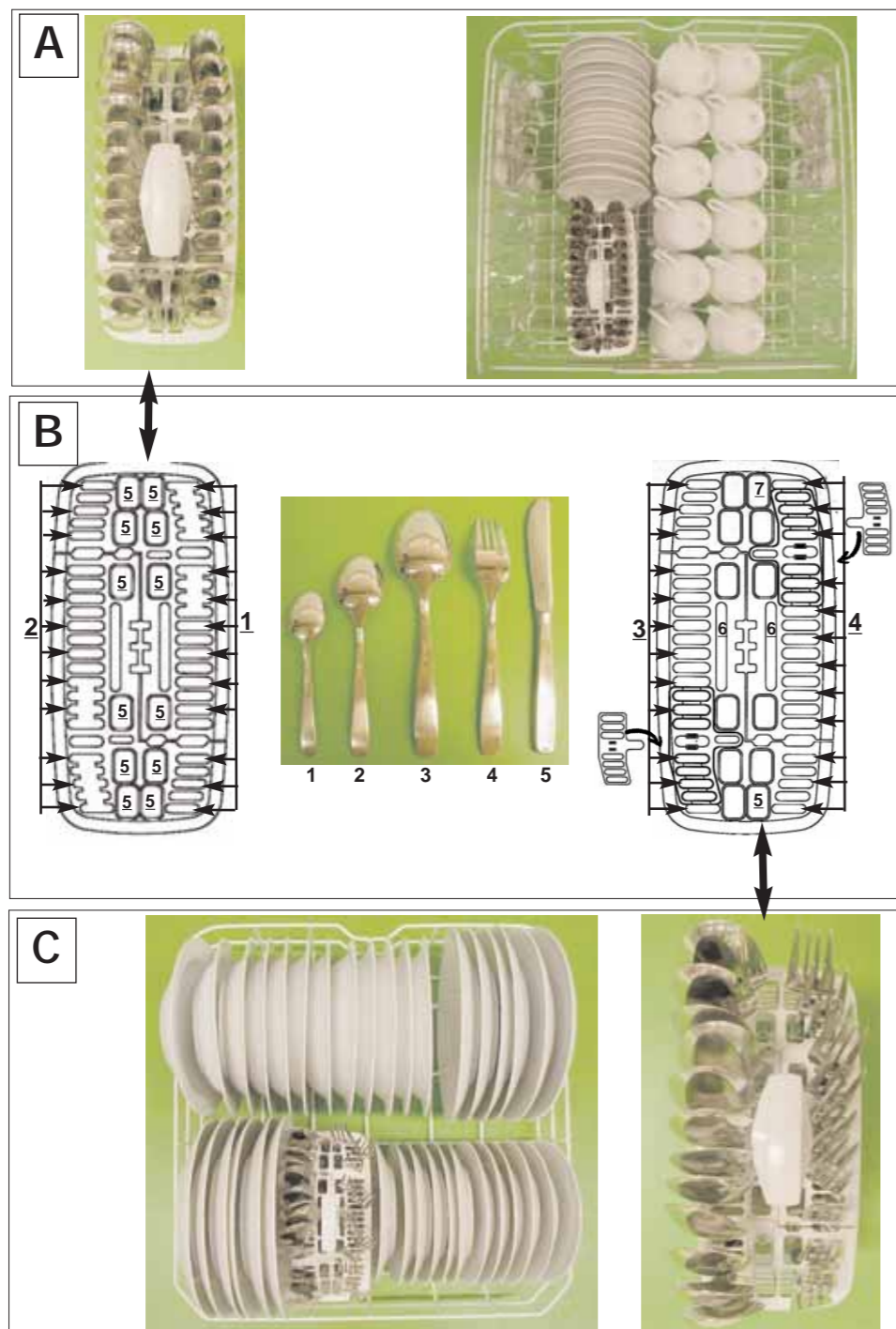
Detergent dispenser : 3

Setting of upper basket : *High position*

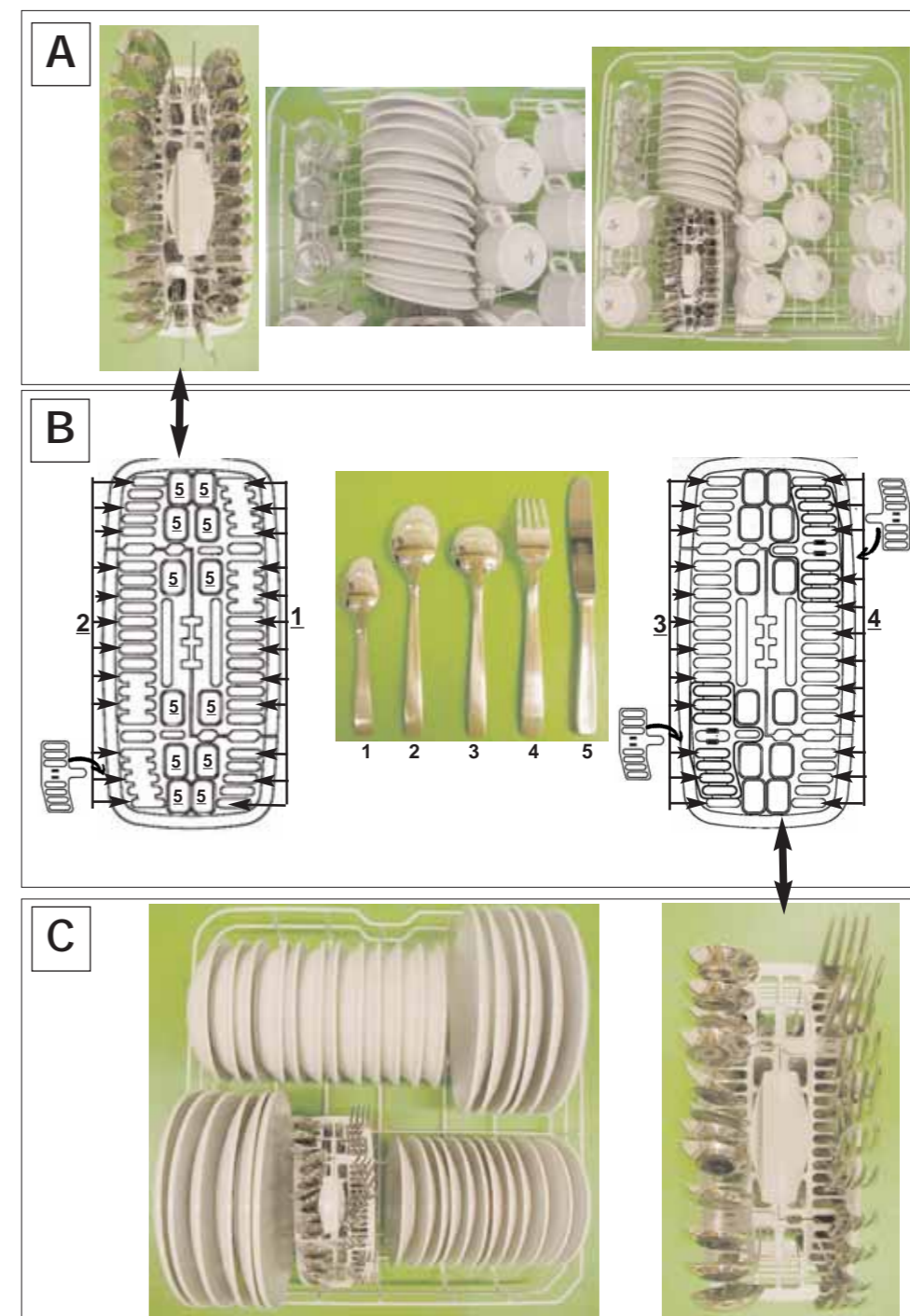
The water softener MUST be set to  (see page 7) to deactivate the device. No salt is required.

For more information on the comparison tests in accordance with AS/NZS 2007, please contact the manufacturer of the machine before commencing testing.

INSTRUCTIONS FOR LABORATORY TESTS : IEC LOAD



INSTRUCTIONS FOR LABORATORY TESTS : AS/NZS LOAD



DOMESTIC WARRANTY - FULL FIVE YEAR WARRANTY

In addition to all statutory rights which you, the Consumer, have under the relevant laws in respect of this appliance, during the first five years of ownership as the original purchaser of this Kleenmaid appliance, we guarantee that any fault caused by faulty material or workmanship becoming apparent will be rectified free of charge for parts and labour, provided that all service is performed during normal working hours by Kleenmaid or their designated Agents. Where the appliance is installed outside the normal servicing area of the above, the Purchaser must pay for the cost of transporting the appliance to and from the Agent or the Agent's travelling cost to and from the Purchaser's home.

COMMERCIAL WARRANTY - ONE YEAR WARRANTY

When this appliance is installed in a commercial application, you, the Consumer, have under the relevant laws in respect of this appliance, during your first one year of ownership as the original purchaser of the Kleenmaid appliance, we guarantee that any fault caused by faulty material or workmanship becoming apparent, will be rectified free of charge for parts and labour, provided that all service is performed during normal working hours by Kleenmaid or their designated Agents. Where the appliance is installed outside the normal servicing area of the above, the Purchaser must pay for the cost of transporting the appliance to and from the Agent or the Agent's travelling cost to and from the Purchaser's home.

WHAT THESE WARRANTIES DO NOT COVER

We are not responsible for any damage or malfunction unless caused by a defect in material or workmanship. This includes but is not limited to abuse, misuse, improper installation and transportation damage. We are not responsible for any consequential damages from any malfunction.

The Consumer, must make the appliance available for servicing and shall bear any costs incurred for any de-installation and/or re-installation required to make the appliance available for servicing. Kleenmaid are not liable for any consequential damage incurred during de-installation or re-installation.

WARRANTY DOES NOT COVER REPLACEMENT OF LIGHT GLOBES OR GLASS BREAKAGE DUE TO IMPACT

In case of fractured glass do not use your appliance.

WARRANTY REGISTRATION

Please complete the enclosed warranty card and retain this as a record of purchase.

SERVICE ASSISTANCE

To assist you when phoning our After Sales Service number to arrange a service call please complete the following details and have them ready when you call.

Model Number : _____ Date of purchase : _____

Kleenmaid Store purchased from : _____ Date of installation : _____

**KLEENMAID AFTER SALES SERVICE
CONTACT NUMBER
1 300 652 100**

**Other products in Kleenmaid's
range of world's best appliances :**

Washers

Dryers

Dishwashers

Ovens

Cooktops

Outdoor Cooking Centres

Built-In Coffee Machines

Rangehoods

Sinks

Waste Disposals

Taps

Cookware

Refrigerators

Freezers

Wine Cellars

Vacuum Cleaners

**For sales informations on the full range of quality
kitchen and laundry appliances, phone 13 13 08**

**Kleenmaid Head Office :
PO Box 5560 MAROOCHYDORE BC QLD 4558**

10577D-03/04
