

# Freestanding Dishwasher



Kleenmaid's new range of dishwashers offer super silent and water efficient operation, for the way we live our lives today. Our freestanding model is simple and versatile and allows for installation anywhere in the kitchen. Combining many innovative features and programs, a Kleenmaid dishwasher is the perfect addition to your kitchen.

Installation type:	Freestanding
Finish:	White
Cavity construction:	Stainless steel
Noise (db):	46
Wash programs:	Intensive Normal Auto program Pre-rinse
Filtrations system:	4 levels of filtration
Water rating (WELS):	4 star
Energy rating:	3.5 star

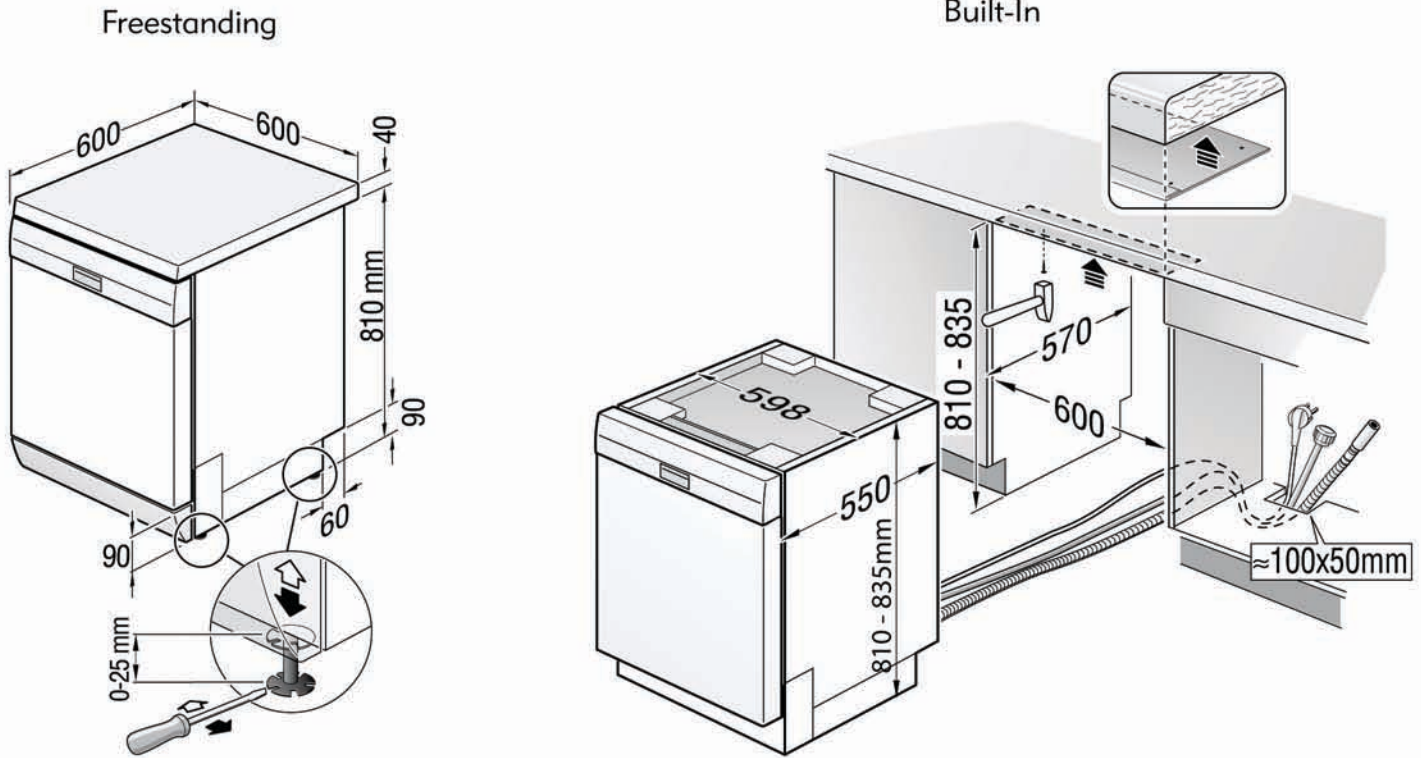
\*Technical Specifications and product sizes can be varied by Manufacturer without notice. Any cut-outs for appliances should only be by physical measurements. Drawings are not to scale. All information supplied is for general reference purposes only and is on the understanding that Kleenmaid Pty Ltd will not be liable for any loss, liability or damage whatsoever arising as a result of reliance of such information.

Please call 02 9375 2390  
[www.kleenmaid-appliances.com.au](http://www.kleenmaid-appliances.com.au)

**Kleenmaid**  
 The best you can own.

# Freestanding Dishwasher

Note : Full installation diagrams are included with appliance and available online @ [www.kleenmaid.com](http://www.kleenmaid.com).



## Water / Electrical Connection

- Hot or Cold water connection up to 60°C
- Supply hose 140cm
- Drain hose 170cm
- Water Pressure: Min 50 kPa ; Max 1000 kPa
- Tap Connection:  $\frac{3}{4}$ " BSP male tap
- Electrical mains cable 170cm
- Plug : 3 pin 10amp Aust.

## Inclusions

- Large Item Spray Head
- Upper Level Cutlery Rack

Model	Electrical	Approval
DW43W	240V 2400W 50Hz 10A GPO	Q070716

\*Technical Specifications and product sizes can be varied by Manufacturer without notice. Any cut-outs for appliances should only be by physical measurements. Drawings are not to scale. All information supplied is for general reference purposes only and is on the understanding that Kleenmaid Pty Ltd will not be liable for any loss, liability or damage whatsoever arising as a result of reliance of such information.

Please call 02 9375 2390  
[www.kleenmaid-appliances.com.au](http://www.kleenmaid-appliances.com.au)

**Kleenmaid**  
 The best you can own.