

# Semi Integrated Dishwasher



## Model: DW6032

- BLDC motor with 5 year warranty
- Multi tilt and split third row cutlery tray
- Sensor touch controls in finger print resistant stainless steel
- ITT Information Transfer Technology
- 15 place settings
- Self cleaning filter system
- LED interior lighting
- 8 wash programs with 24 optional variations
- Residual hot air drying with extra hot rinse cycle
- *Whisper* quiet 45dBa
- Up to 24 hour delayed start on hourly intervals
- Three option spray pattern, top bottom or both
- Space saving sliding detergent dispenser
- 70°C sanitation cycle
- 15 minute super rinse and 30 minute fast wash
- Easy lift top basket for large platters
- Anti-overflow protection
- Height adjustable cabinet
- Energy rating 4 stars
- WELS water rating 5 stars



5 year warranty



Internal LED light



15 place settings



Whisper Quiet



Third row cutlery tray



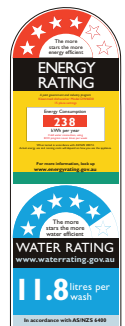
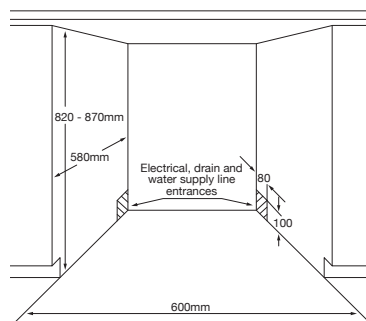
Delayed start



Information Transfer Technology



QUALITY ASSURED



Door panel not included and is for illustration purposes only.

J10703\_16