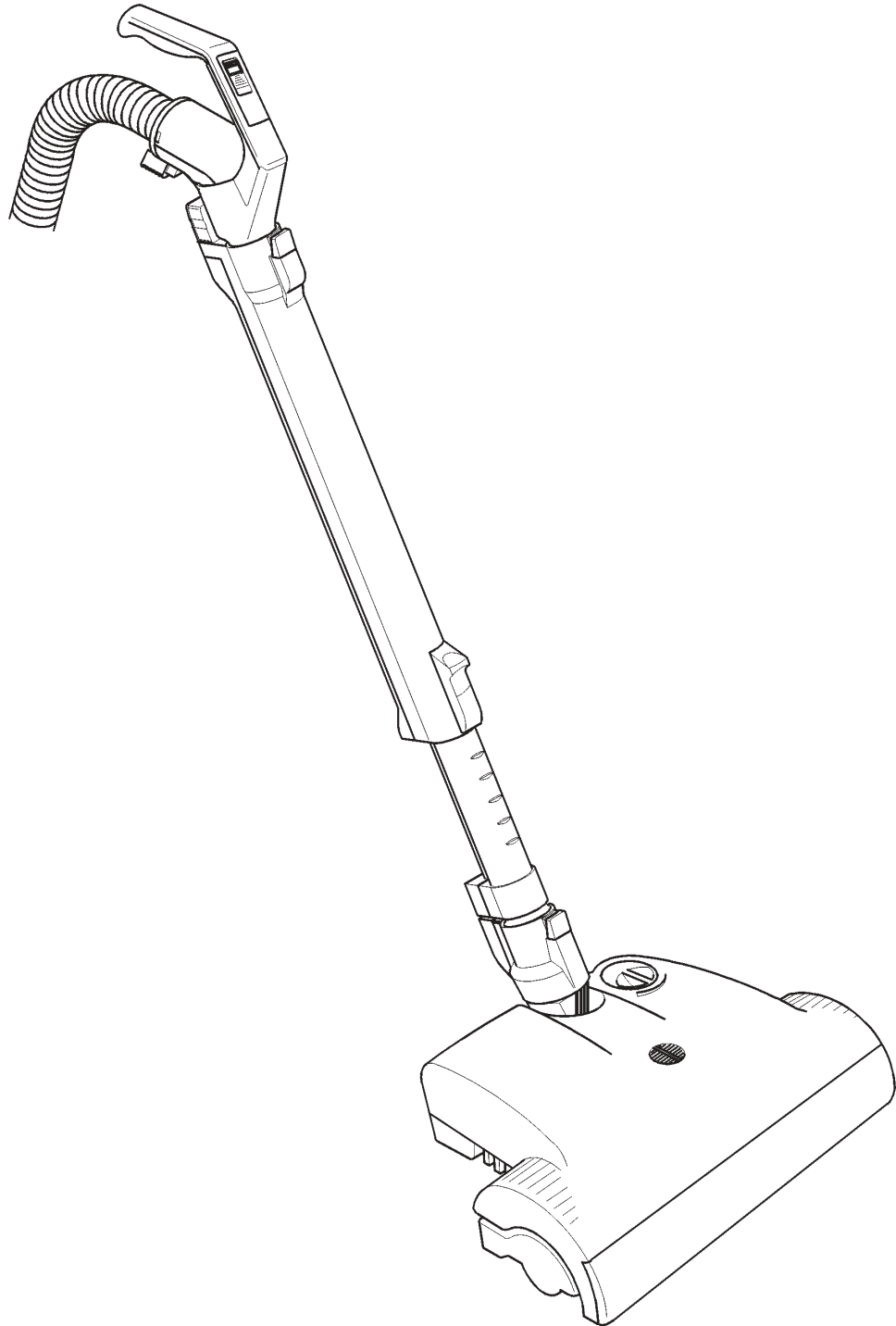


Kleenmaid

Electric power brush ET-H



WARRANTY AND SERVICE

DOMESTIC WARRANTY - FULL FIVE YEAR WARRANTY

In addition to all statutory rights which you, the Consumer, have under the relevant laws in respect of this appliance, during the first five years of ownership as the original purchaser of this Kleenmaid appliance, we guarantee that any fault caused by faulty material or workmanship becoming apparent will be rectified free of charge for parts and labour, provided that all service is performed during normal working hours by Kleenmaid or their designated Agents. Where the appliance is installed outside the normal servicing area of the above, the Purchaser must pay for the cost of transporting the appliance to and from the Agent or the Agent's travelling cost to and from the Purchaser's home.

COMMERCIAL WARRANTY - ONE YEAR WARRANTY

When this appliance is installed in a commercial application, you, the Consumer, have under the relevant laws in respect of this appliance, during your first one year of ownership as the original purchaser of this Kleenmaid appliance, we guarantee that any fault caused by faulty material or workmanship becoming apparent, will be rectified free of charge for parts and labour, provided that all service is performed during normal working hours by Kleenmaid or their designated Agents. Where the appliance is installed outside the normal servicing area of the above, the Purchaser must pay for the cost of transporting the appliance to and from the Agent or the Agent's travelling cost to and from the Purchaser's home.

WHAT THESE WARRANTIES DO NOT COVER

We are not responsible for any damage or malfunction unless caused by a defect in material or workmanship. This includes but is not limited to abuse, misuse, improper installation and transportation damage. We are not responsible for any consequential damages from any malfunction.

The Consumer must make the appliance available for servicing and shall bear any costs incurred for any de-installation and/or re-installation required to make the appliance available for servicing. Kleenmaid is not liable for any consequential damage incurred during de-installation or re-installation.

Warranty does not cover paper bags, micro filters, motor filters or brush rollers.

WARRANTY REGISTRATION

Please complete warranty details below. Please retain together with your proof of purchase document. These documents will need to be viewed by our Service Representative should you request in warranty service.

SERVICE ASSISTANCE

To assist you when phoning our After Sales Service number to arrange a service call please complete the following details and have them ready when you call.

Model Number _____ Date of purchase _____

Kleenmaid Store purchased from _____ Date of installation _____

KLEENMAID AFTER SALES SERVICE
1300 652 100

CAUTION - general safety advice

- use this appliance only in combination with a KLEENMAID vacuum cleaner
- pay attention to this and the manual of the vacuum cleaner
- keep the manual
- disconnect from mains before changing the brush strip or any service work
- electrical appliance, keep away from liquid or moisture
- vacuum dry surfaces only
- do not try to use on any body parts, human or animal
- do not vacuum hot material such as ash
- do not connect to a malfunctioning or damaged machine
- after security shut off, first switch off, then disconnect from mains and service the appliance
- do not remove any screws
- no user serviceable parts inside the machine
- if the cable is damaged use only a genuine KLEENMAID replacement
- use of non KLEENMAID parts could be dangerous
- the appliance is not intended for use by young children or infirm persons without supervision
- young children should be supervised to ensure that they do not play with the appliance.

THIS APPLIANCE HAS A ROTATING BRUSH:

- do not run over any cables
- do not leave unattended
- children must be strictly supervised

The warranty will be invalidated if the above advice is ignored

IT IS THE USERS RESPONSIBILITY TO OPERATE THIS APPLIANCE SAFELY AND CAREFULLY

Technical details

Brush motor	150 Watt
Brush width	290 mm
Brush roller	replaceable
Brush drive	toothed belt with electronic overload protection
Width	297 mm
Weight	2,1 kg
Protection	double insulated
Radio suppression.	to CISPR

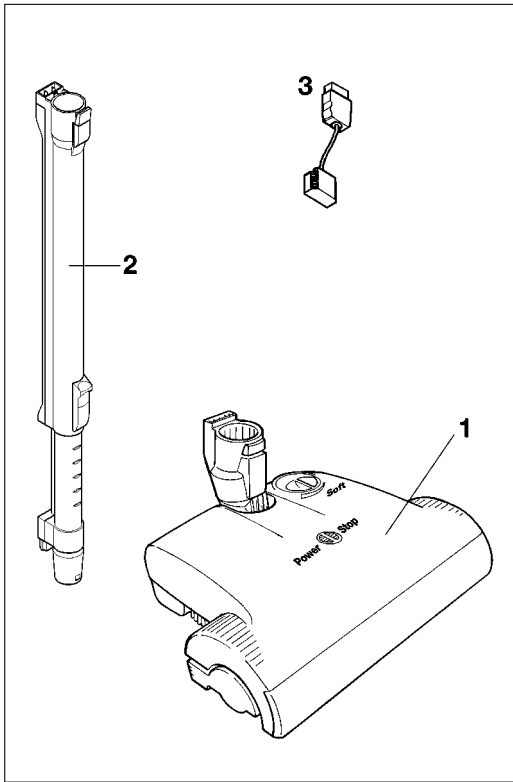


**P.O.Box 5560,
Maroochydore South.
Qld. 4558.**

Instruction manual for KLEENMAID electric power brush ET-H

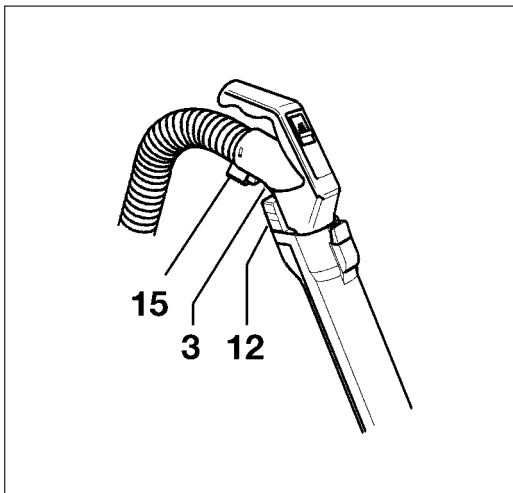
Please read this instruction manual carefully before using this appliance and pay attention to all safety advice.

Your KLEENMAID electric power brush ET-H is made to give you excellent performance and long life. Carpets are only cleaned hygienically and keep their good appearance when brushed thoroughly during vacuum cleaning. The KLEENMAID electric power brush in combination with a KLEENMAID *air belt* VC 350 cylinder vacuum cleaner provides you with the best aid for good carpet care.



Box contents

The electric power brush (1), the electric telescopic tube (2), the cable (3) for KLEENMAID VC 350.



Installing the cable

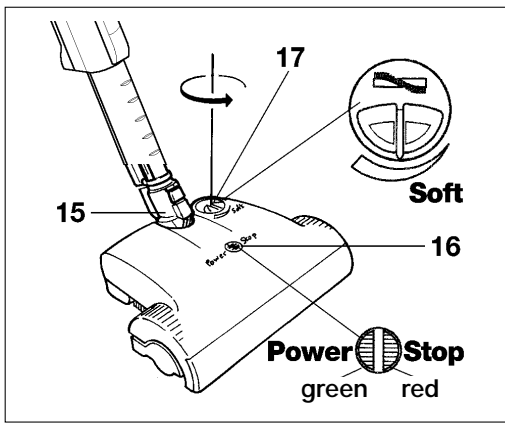
Fit one cable plug (12) into the grooves on the bottom of the handle and push the opposite plug (15) onto the contact holder in the hose neck.

How to connect and use

Your KLEENMAID electric power brush ET-H is made to be used together with the KLEENMAID *air belt* VC 350 cylinder vacuum cleaner.

To prevent damage the vacuum must be switched on and provide enough air-flow through the power brush. Only in this case will the cleaning result be satisfactory.

We recommend using the maximum suction power level.



Use

1. Indicator light

On top of the power brush is a red/green indicator light. If the green light is on and the swivel neck is in the upright position, then the power brush is ready for operation. By lowering the swivel neck the brush is activated. Please ensure that the vacuum cleaner is set to maximum power.

Green and red lights on together indicate security shut down because of either overload or blockage.

2. Brush adjustment

On top of the power brush there is a rotary control to adjust brush action. Brush action can be set from SOFT through to HARD as appropriate.

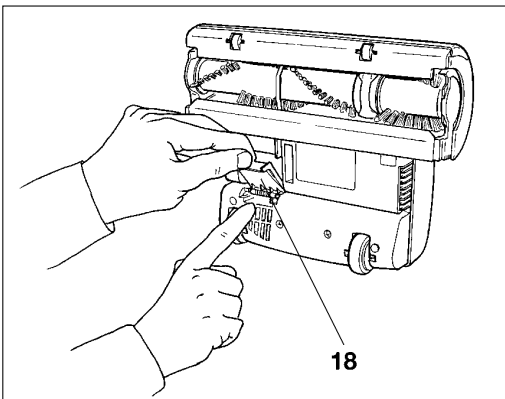
Attention - safety advice for connection:

- connect only to outlets according to data shown on labels
- mains voltage for both machines must be the same
- the vacuum cleaner must be switched on and provide air-flow through the power brush
- the cable must be fixed along the hose and be plugged into the vacuum

Attention - safety advice for use:

- the machine has a rotating brush
- always take care that the brush does not pull in rug edges, fringes, cables etc.
- Berber, woven and other delicate floorcoverings or floors with delicate surfaces please clean with the combination nozzle of your vacuum cleaner
- on uneven floors contact with the bottom plate is possible. Use combination nozzle if damage may occur
- lift the machine over obstacles

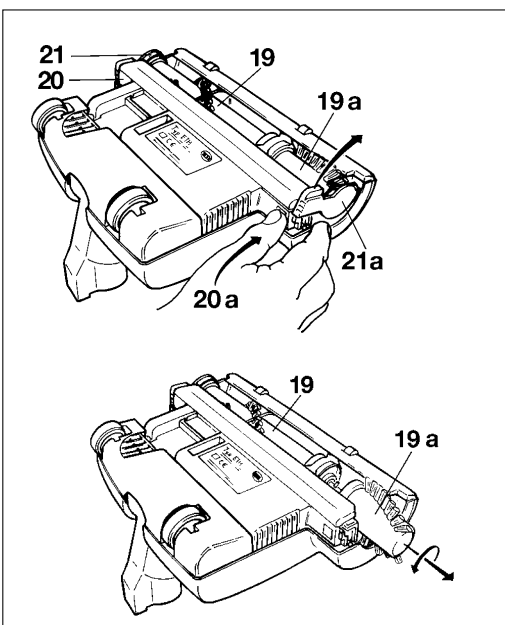
ATTENTION - switch off and unplug machine at the mains outlet and from the vacuum before all service work and before removing any part.



Clearing a blockage (-unplug the vacuum cleaner at the mains outlet)

If the brush is not functioning correctly it may be blocked. A red trap door is provided on the underside of the power brush to aid blockage clearing.

To clear a blockage in the swivel neck push the obstruction down the neck with a stick or long screwdriver and then remove it through the red trap door



Changing the brush roller (-unplug the vacuum cleaner at the mains outlet)

To change either the brush roller (19) or the edge-cleaning brush (19a), push the button (20 or 20a), swivel the end caps in the direction of the arrows and pull them off.

Turn the brush roller clockwise and the edge-cleaning brush anti-clockwise when removing them from the appliance. Fit the new brushes onto the drive shaft by turning them until they click into position. Also to refit the end caps turn them until they click into position. Make sure not to squeeze the bristles of the brushes under the end caps.

Service - (unplug the vacuum cleaner at the mains outlet)

The brush should be cleaned of fibres and hair regularly. After a blockage or when the brush has pulled in something, clear the brush and take all debris out of the brush area. Check the swivel neck regularly for blockages. Do not open the machine.