

# Freestanding Ovens



Our selection of The World's Best freestanding ovens combine the benefits of a built-in oven with an optional cooktops. Featuring a fully featured multifunction oven with a solid element cooktop, this freestanding oven represents something excitingly different.

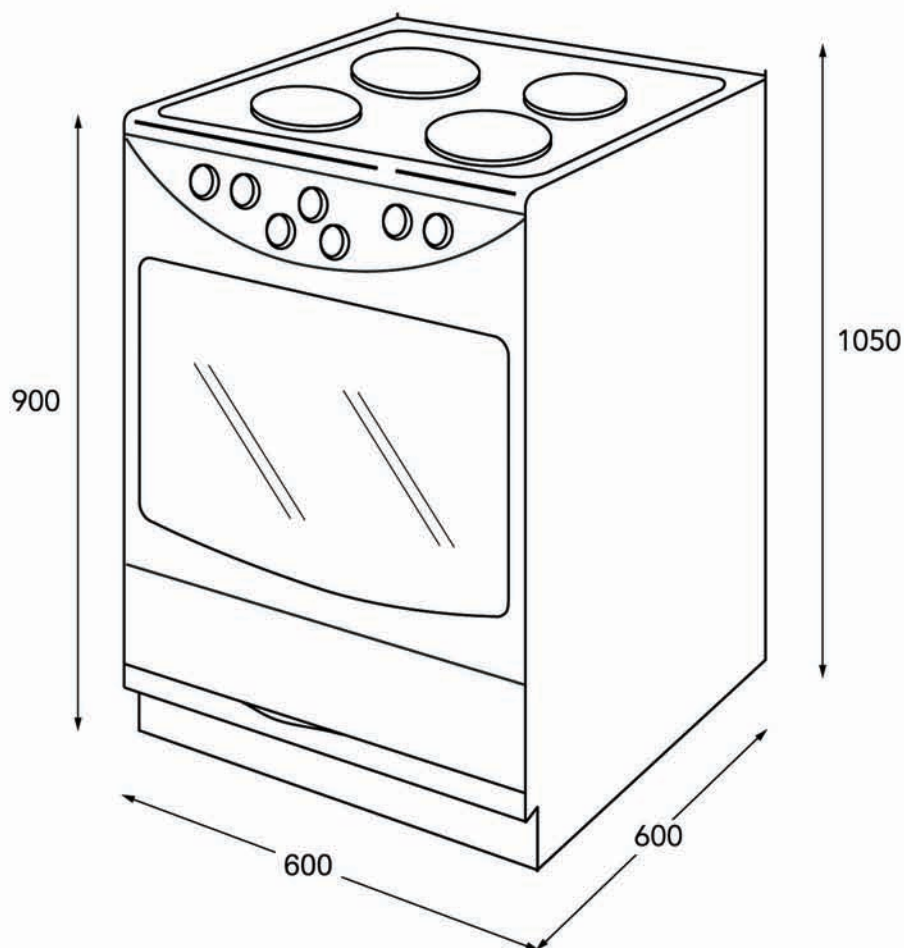
#### Features:

Oven capacity:	53 litres
Cooking programs:	9 multi-function programs
Cooktop:	4 solid elements
Energy rating:	A class European energy rating
Inclusions:	Oven rack Biscuit tray Baking tray
Colours:	White
Dimensions:	600mm (W) x 900mm (H) x 600mm (D)

Please call 02 9375 2390  
[www.kleenmaid-appliances.com.au](http://www.kleenmaid-appliances.com.au)

 **Kleenmaid**  
 The best you can own.

# Freestanding Ovens



Model	Capacity	Approval No	Dimensions			Electrical Ratings
FES605W	53 litres	Q00458	900 (H)	600 (W)	600 (D)	240V 50Hz 10.4kW 43.30A

October 2003

\*Technical Specifications and product sizes can be varied by Manufacturer without notice. Any cut-outs for appliances should only be by physical measurements. Drawings are not to scale. All information supplied is for general reference purposes only and is on the understanding that Kleenmaid Pty Ltd will not be liable for any loss, liability or damage whatsoever arising as a result of reliance of such information.