

# REFRIGERATOR / FREEZER

collection

▼

## Direction of Door Changing Instructions



**KLEENMAID**  
THE WORLD'S BEST



# **Changing the Direction of Opening the Door**

---

**(for one - door appliances, 540 mm width)**

If you find the direction of opening the door on your appliance inconvenient, you can change it. Holes on the opposite side have already been prepared in the factory and are now plugged.

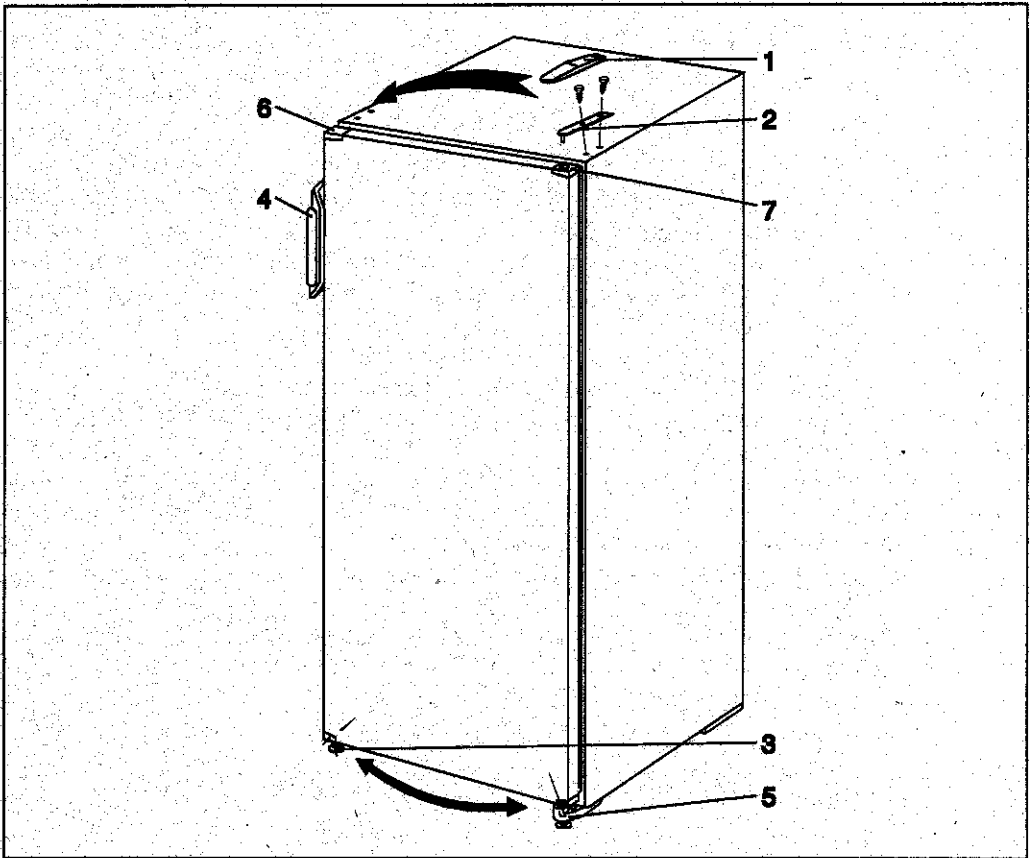
- Remove the cover on the upper hinge, unscrew the hinge and take off the door of the appliance (the door is not fixed on the middle hinge).
- Take off all door corners and interchange them (instead of the corner with a hole insert the one without the hole and vice versa).
- Unscrew the lower hinge with foot and the other foot.
- Fix the lower hinge with foot to the opposite side and fix the other foot on the place where previously was the hinge.
- Put the door of the appliance on the lower hinge.
- Fix the upper hinge and cover it.
- Unscrew the handle and replace it on the opposite side (not for handles mounted horizontally).

Some screws are covered with caps. Take them off before undoing the screws.

- Plug the remaining holes with decorative caps.
- Check the gasket, it shouldn't be creased and it should seal well.

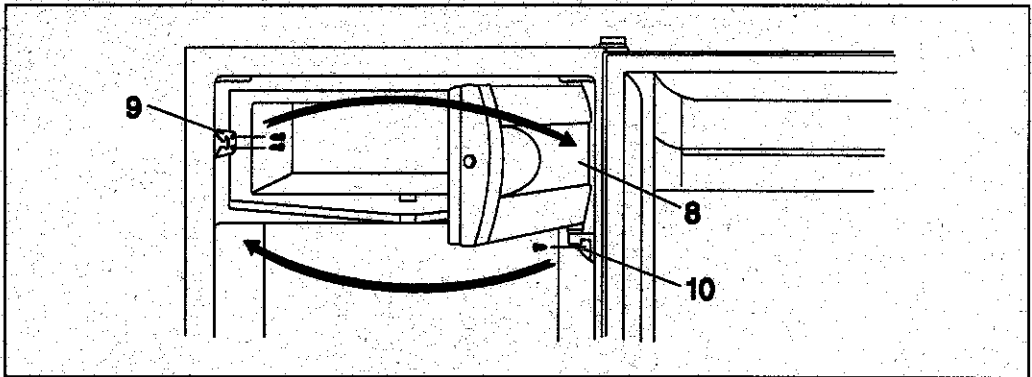
## **Changing the Direction of Opening the Door on the Low Temperature Compartment**

- Unscrew the blocking element and the hinge of the low temperature compartment and take off the door.
- Plug the holes with plastic caps provided.
- Turn the door for 180° and replace it on the opposite side of the low temperature compartment. Fix the hinge and the blocking element of the door (position of holes already provided).



- 1 Cover for the upper hinge
- 2 Upper hinge
- 3 Foot
- 4 Handle

- 5 Lower hinge with foot
- 6 Corner without a hole
- 7 Corner with a hole



- 8 Low temperature compartment
- 9 Blocking element

- 10 Door hinge

# **Changing the Direction of Opening the Door**

---

**(for one - door appliances with worktop, 500 mm width)**

If you find the direction of opening the door on your appliance inconvenient, you can change it. Holes on the opposite side have already been prepared in the factory and are now plugged.

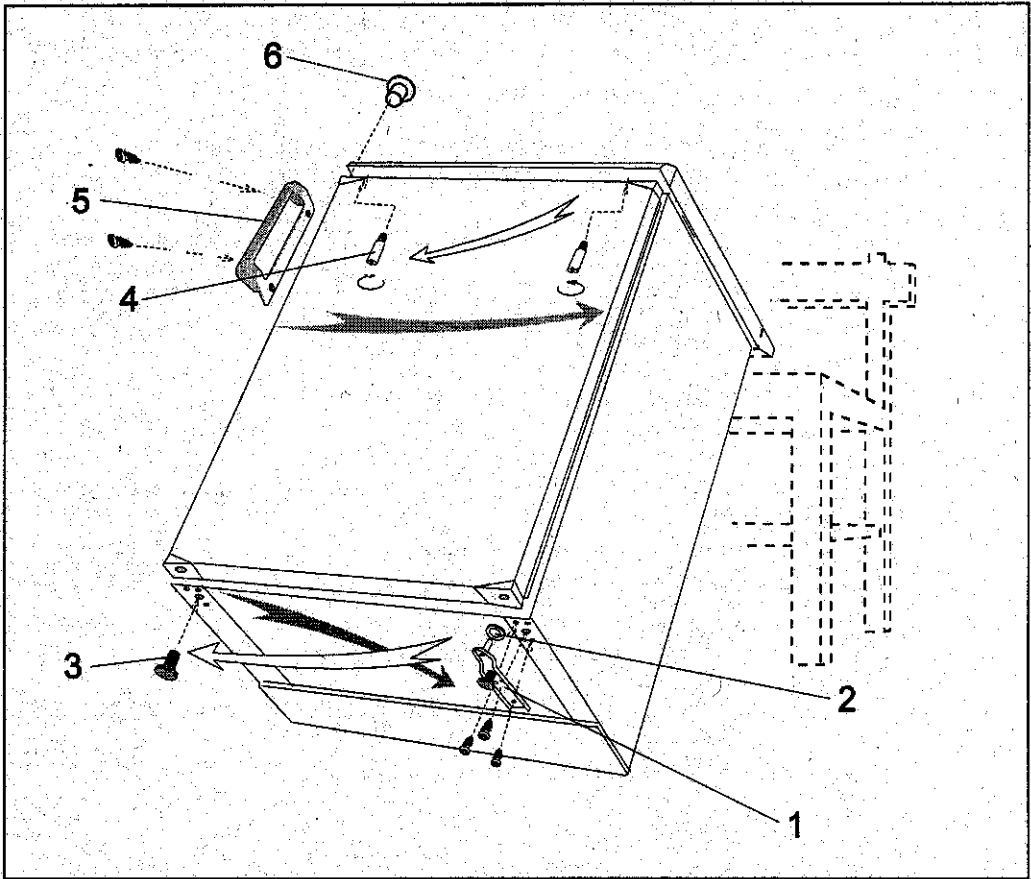
- Unscrew the lower hinge with foot and remove the door of the appliance.
- Unscrew the other foot and fix it on the place where previously was the hinge with the foot.
- Rotate the fastener having the function of the upper hinge counter clockwise, take it off and replace it on the opposite side of the door.
- Remove the fastener of the door corner with the hole and replace it to the opposite side.
- Put the door on the fastener having the function of the upper hinge.
- Put the fastener with foot of the lower hinge (with a washer) into the plastic corner with a hole and fix the lower hinge.
- Unscrew the handle and replace it on the opposite side (not for handles mounted horizontally).

Some screws are covered with caps. Take them off before undoing the screws.

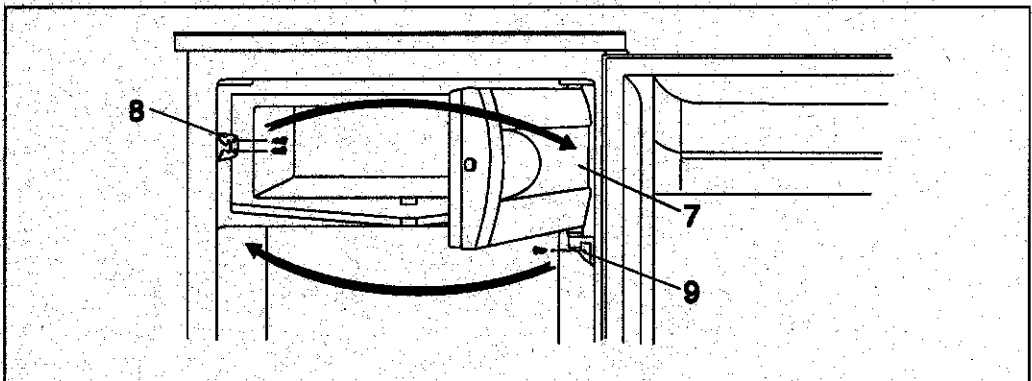
- Plug the remaining holes with decorative caps.
- Check the gasket, it shouldn't be creased and it should seal well.

## **Changing the Direction of Opening the Door on the Low Temperature Compartment**

- Unscrew the blocking element and the hinge of the low temperature compartment and take off the door.
- Plug the holes with plastic caps provided.
- Turn the door for 180° and replace it on the opposite side of the low temperature compartment. Fix the hinge and the blocking element of the door (position of holes already provided).



- |                         |                                      |
|-------------------------|--------------------------------------|
| 1 Lower hinge with foot | 4 Fastener                           |
| 2 Lower hinge washer    | 5 Handle                             |
| 3 Food                  | 6 Fastener of the corner with a hole |



- |                               |              |
|-------------------------------|--------------|
| 7 Low temperature compartment | 9 Door hinge |
| 8 Blocking element            |              |

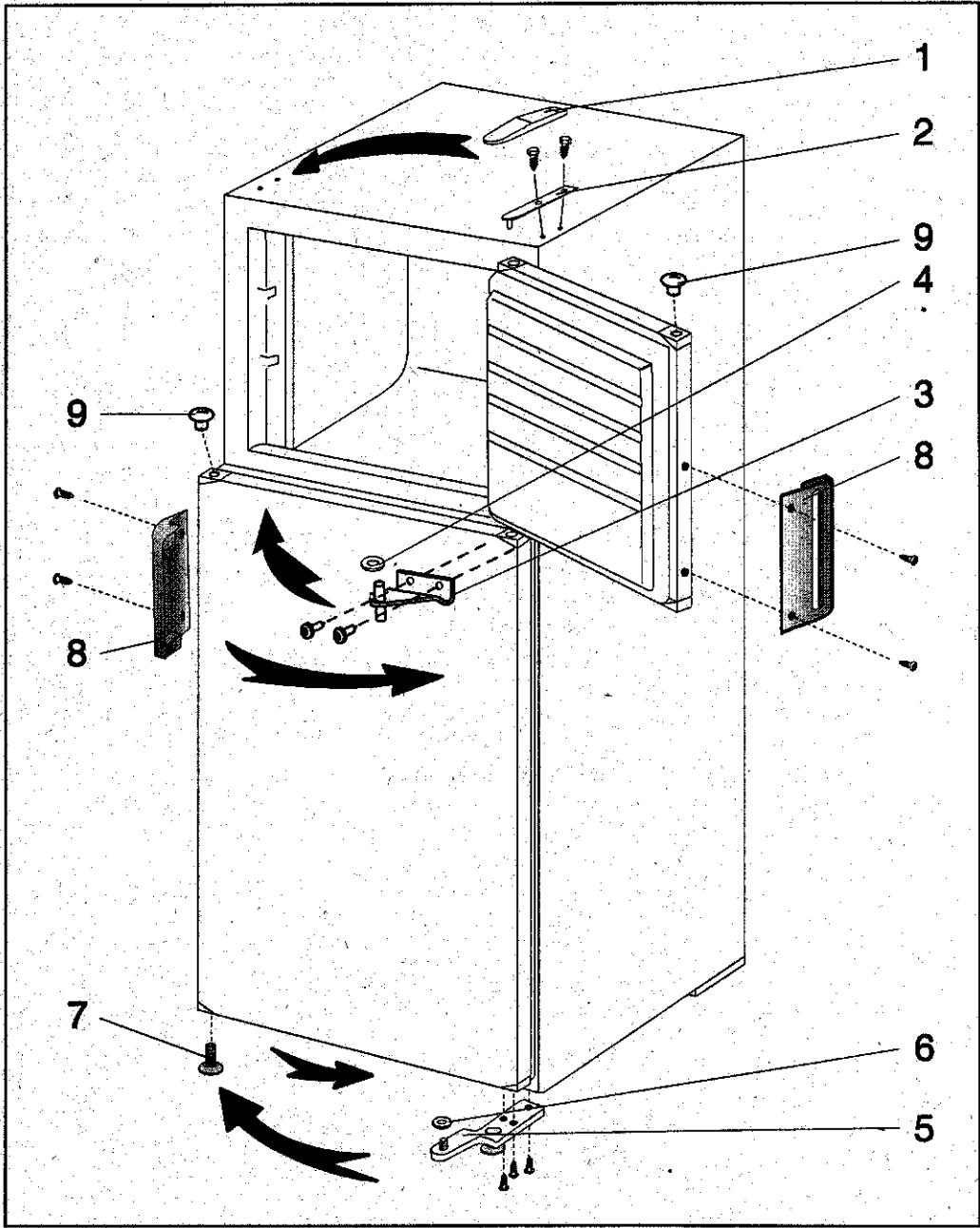
# **Changing the Direction of Opening the Door**

---

**(for two - door appliances, 500 mm width)**

If you find the direction of opening the door on your appliance inconvenient, you can change it. Holes on the opposite side have already been prepared in the factory and are now plugged.

- Remove the cover on the upper hinge, unscrew the hinge and take off the freezer door (the door is not fixed on the middle hinge), don't forget to remove the washer from the middle hinge.
- Unscrew the lower hinge with foot and washer and remove the refrigerator door.
- Unscrew the middle hinge and the other foot.
- Fix the lower hinge with foot (and washer) to the opposite side and fix the other foot on the place where previously was the hinge.
- Remove the fastener of the door corner with the hole and replace it to the opposite side.
- Put the refrigerator door on the lower hinge.
- Rotate the middle hinge for 180°, replace it to the opposite side of the door and fix it.  
Put on the washer first and then the upper door.
- Fix the upper hinge and cover it.
- Unscrew the handles and replace them to the opposite side (not for handles mounted horizontally).  
Some screws are covered with caps. Take them off before undoing the screws.
- Plug the remaining holes with decorative caps.
- Check the gasket, it shouldn't be creased and it should seal well.



- |                             |                                      |
|-----------------------------|--------------------------------------|
| 1 Cover for the upper hinge | 6 Lower hinge washer                 |
| 2 Upper hinge               | 7 Foot                               |
| 3 Middle hinge              | 8 Handle                             |
| 4 Middle hinge washer       | 9 Fastener of the corner with a hole |
| 5 Lower hinge with foot     |                                      |

# **Changing the Direction of Opening the Door**

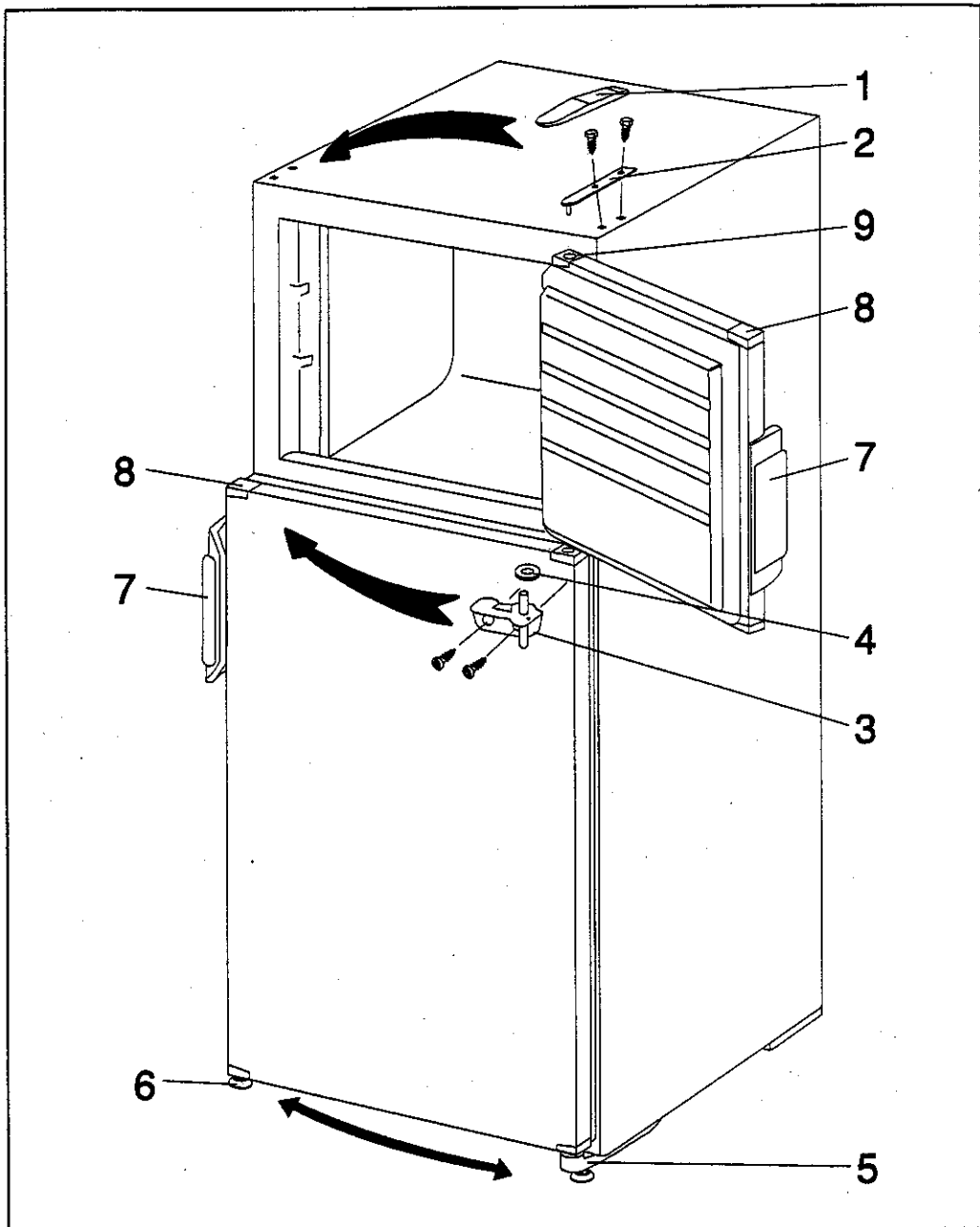
---

**(for two - door appliances, 540 mm width)**

If you find the direction of opening the door on your appliance inconvenient, you can change it. Holes on the opposite side have already been prepared in the factory and are now plugged.

- Remove the cover on the upper hinge, unscrew the hinge and take off the freezer door (the door is not fixed on the middle hinge), don't forget to remove the washer from the middle hinge.
- Unscrew the lower hinge with foot and remove the refrigerator door.
- Unscrew the middle hinge and the other foot.
- Take off all door corners and interchange them (instead of the corner with a hole insert the one without the hole and vice versa).
- Fix the lower hinge with foot to the opposite side and fix the other foot on the place where previously was the hinge.
- Put the refrigerator door on the lower hinge.
- Rotate the middle hinge for 180°, replace it to the opposite side of the door and fix it.  
Put on the washer first and then the upper door.
- Fix the upper hinge and cover it.
- Unscrew the handles and replace them to the opposite side (not for handles mounted horizontally).  
Some screws are covered with caps. Take them off before undoing the screws.
- Plug the remaining holes with decorative caps.
- Check the gasket, it shouldn't be creased and it should seal well.





- 1 Cover for the upper hinge
- 2 Upper hinge
- 3 Middle hinge
- 4 Middle hinge washer
- 5 Lower hinge with foot

- 6 Foot
- 7 Handle
- 8 Corner without a hole
- 9 Corner with a hole

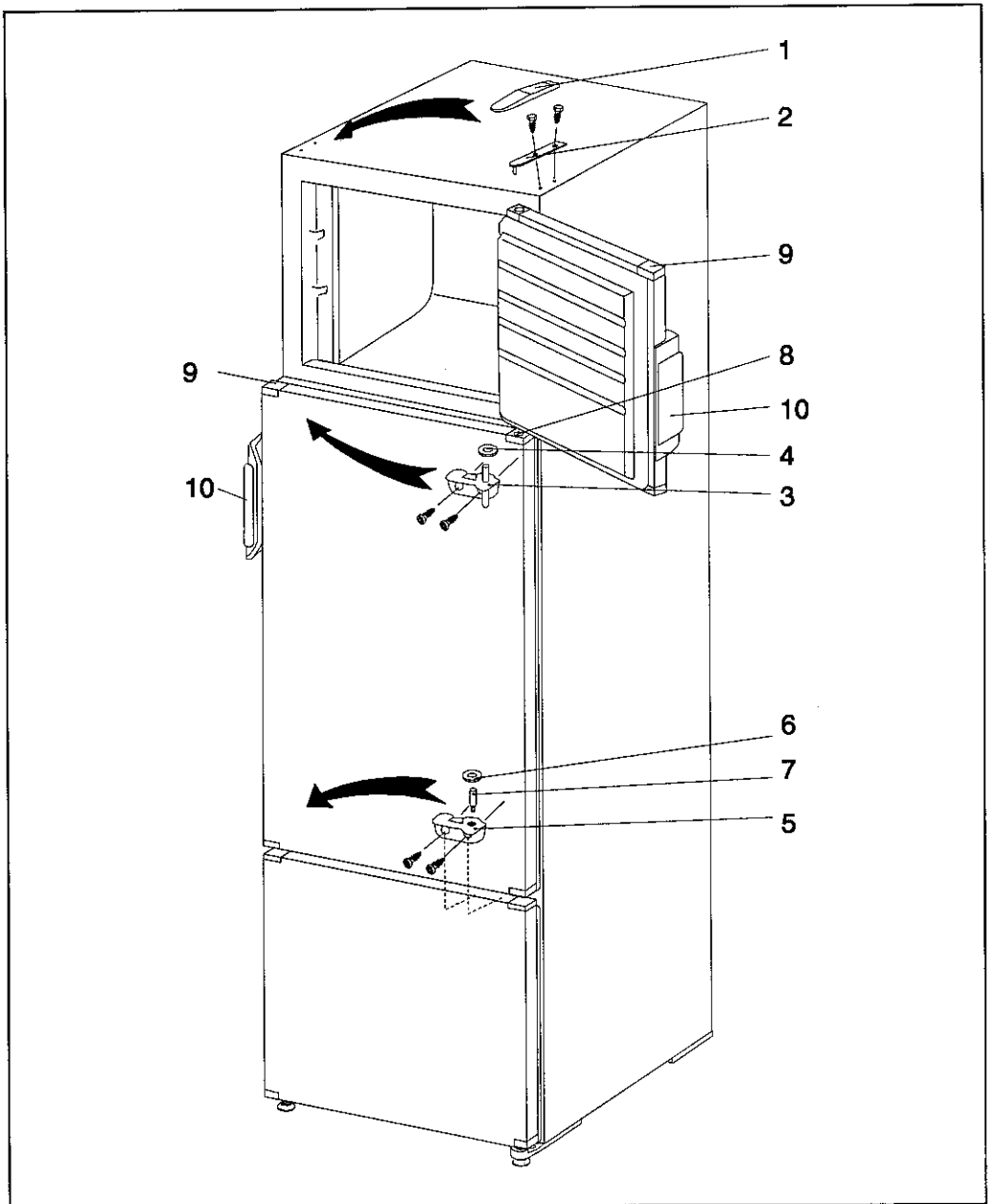
# **Changing the Direction of Opening the Door**

---

**(for three - door appliances, 540 mm width)**

If you find the direction of opening the door on your appliance inconvenient, you can change it. Holes on the opposite side have already been prepared in the factory and are now plugged.

- Remove the cover on the upper hinge, unscrew the hinge and take off the freezer door (the door is not fixed on the middle hinge), don't forget to remove the washer from the middle hinge.
- Unscrew the lower hinge with the washer and remove the refrigerator door.
- Unscrew the middle hinge.
- Remove the washer from the lower hinge and unscrew (rotate it counter clockwise) the fastener on the lower hinge.
- Put the fastener and the washer to the other side of the lower hinge and replace the washer to the opposite side of the appliance.
- Take off all door corners and interchange them (instead of the corner with a hole insert the one without the hole and vice versa).
- Put the refrigerator door on the lower hinge.
- Rotate the middle hinge for 180°, replace it to the opposite side of the door and fix it.  
Put on the washer first and then the upper door.
- Fix the upper hinge and cover it.
- Unscrew the handles and replace them to the opposite side (not for handles mounted horizontally).  
Some screws are covered with caps. Take them off before undoing the screws.
- Plug the remaining holes with decorative caps.
- Check the gasket, it shouldn't be creased and it should seal well.



- 1 Cover for the upper hinge
- 2 Upper hinge
- 3 Middle hinge
- 4 Middle hinge washer
- 5 Lower hinge

- 6 Lower hinge washer
- 7 Lower hinge fastener
- 8 Plastic corner with a hole
- 9 Plastic corner without a hole
- 10 Handle

**Other products in Kleenmaid's  
range of world's best appliances:**

Washers

Dryers

Vacuum Cleaners

Dishwashers

Cooktops

Rangehoods

Ovens

Refrigerators

Sinks & Taps

**For sales information on the full range of quality  
kitchen and laundry appliances, phone 13 13 08**

**Kleenmaid Head Office:**

PO Box 5560, Maroochydore South, Queensland 4558

