

Dimensions and Specifications

Induction Cooktop



Induction cooking is one of the most innovative and modern forms of cooking.

Quicker and more precise than all other cooking methods, the power, functionality and safety features of induction cooking guarantees exceptional results.

Cooking by magnetic field rather than heat, the induction cooktop dramatically reduces the temperatures involved in cooking and directs the heat onto the saucepan, leaving the surface in use cool to touch.

Experience the outstanding performance of Kleenmaid's Induction Cooktop today

Operation:

Finish:

Cooking levels:

Residual heat:

Accessory:

Touch control

Black glass

17

2 stage indicators (H/h)

Screening Temperature Protection

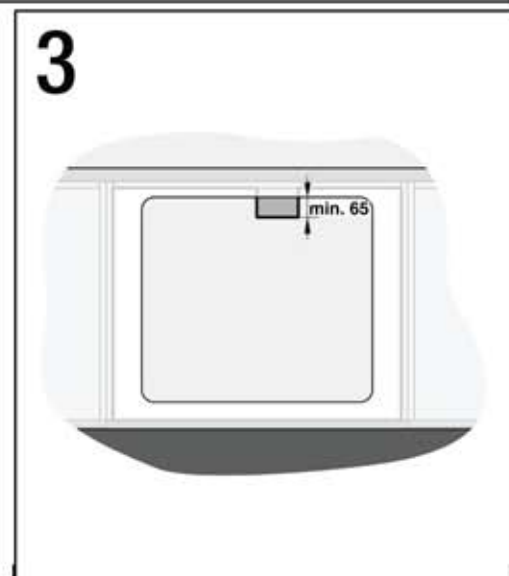
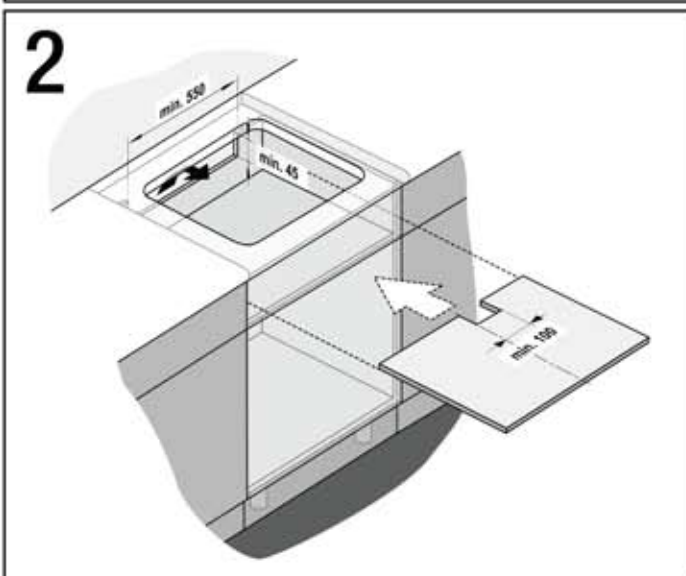
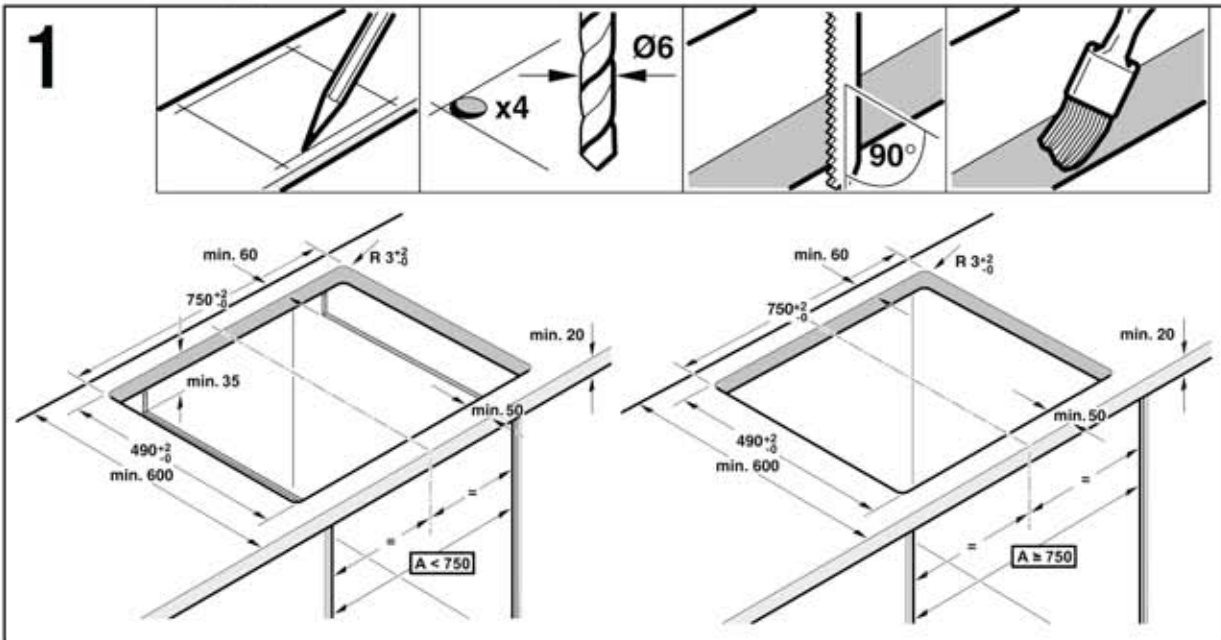
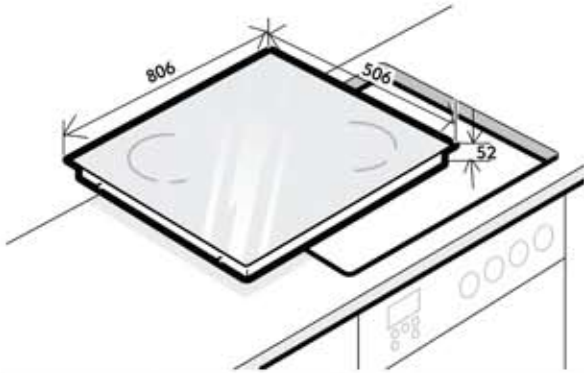
Spare Part No. BSH 476611

Please call 02 9375 2390
www.kleenmaid-appliances.com.au

Kleenmaid
 The best you can own.

Dimensions and Specifications

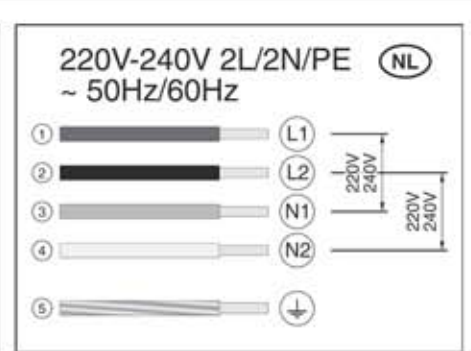
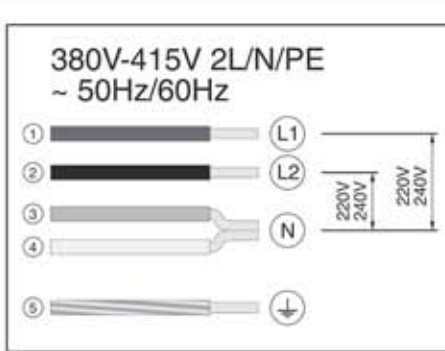
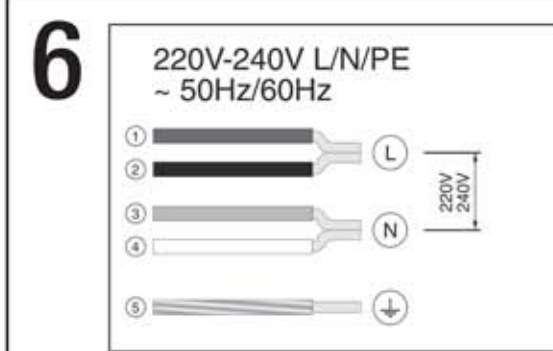
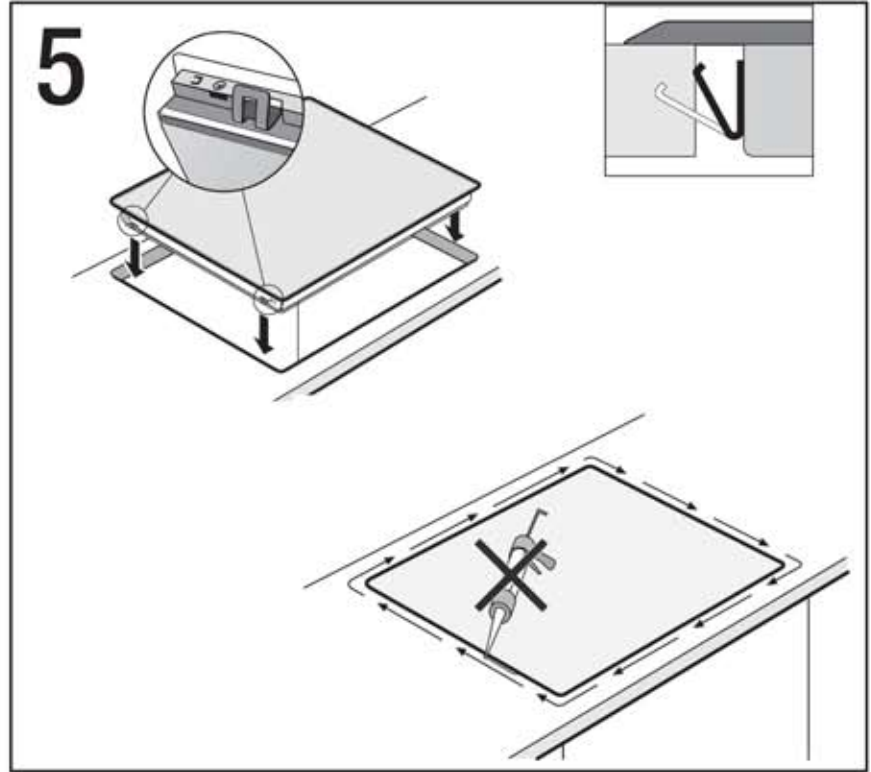
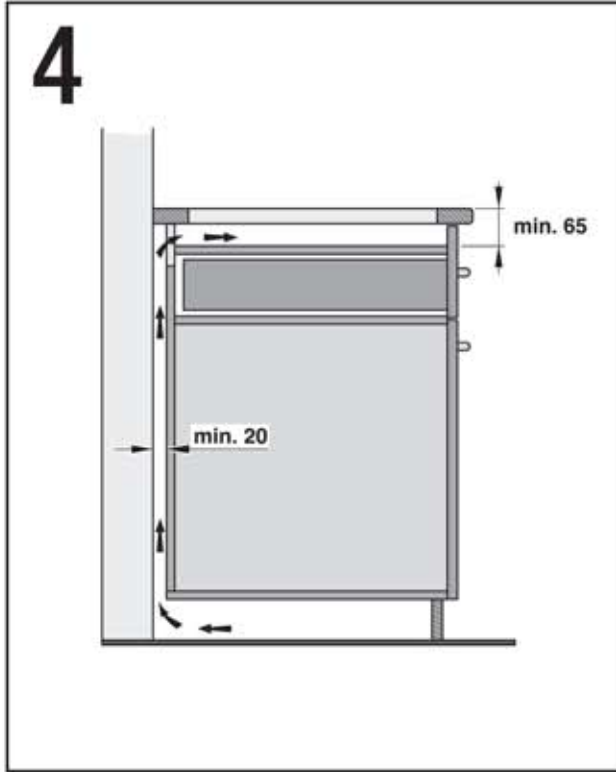
Induction Cooktop



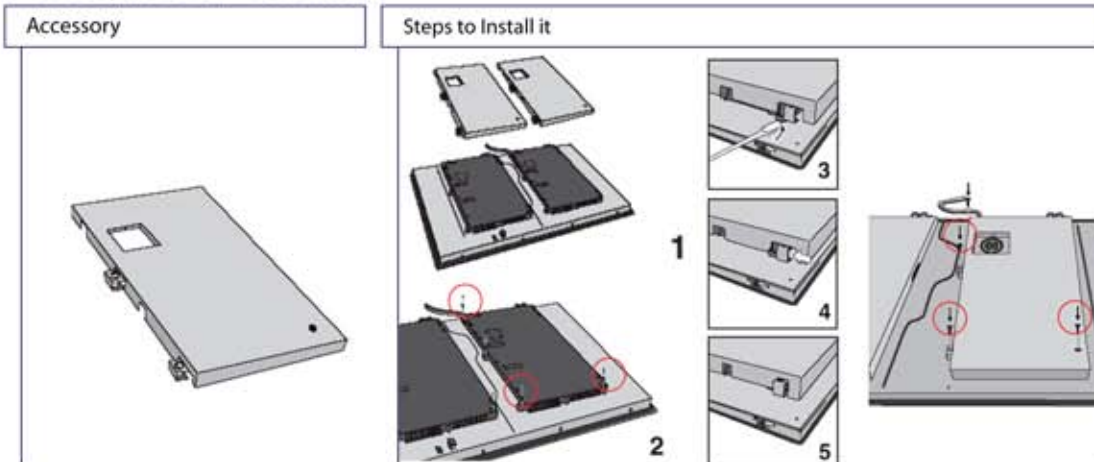
Model	Approval No.	Electrical Rating			
		Voltage	Hz	W	Amps
ICK88X	Q080073	240	50	7200	30

*Technical Specifications and product sizes can be varied by Manufacturer without notice. Any cut-outs for appliances should only be by physical measurements. Drawings are not to scale. All information supplied is for general reference purposes only and is on the understanding that Kleenmaid Pty Ltd will not be liable for any loss, liability or damage whatsoever arising as a result of reliance of such information.

Induction Cooktop



Accessory for Kleenmaid ICK88X - 4 Zone Induction hob 80 cm
EDIS Spare Part # BSH 476611



BSH BOSCH UND SIEMENS HAUSGERÄTE GMBH

PH Product Novelties 2007
Traunreut, 29.11.2006

*Technical Specifications and product sizes can be varied by Manufacturer without notice. Any cut-outs for appliances should only be by physical measurements. Drawings are not to scale. All information supplied is for general reference purposes only and is on the understanding that Kleenmaid Pty Ltd will not be liable for any loss, liability or damage whatsoever arising as a result of reliance of such information.

Induction Cooktop

EN

Important notes

■ Safety in use is only guaranteed if the technical installation of the hob has been carried out correctly and in accordance with the installation instructions. The installation technician shall be liable for any damage caused as a result of incorrect installation.

■ Only an authorised technician is able to connect the appliance. The guidelines set out by the local electricity provider must be observed.

■ This is a class I appliance and should only be used with an earthed connection.

■ Using this appliance without an earth connection or after it has been incorrectly installed may, in very rare cases, cause serious harm.

The manufacturer accepts no responsibility for any malfunction or damage which is caused by incorrect electrical installation.

■ If the appliance is not fitted with an accessible plug, disconnecting means must be incorporated in the fixed installation, in accordance with the installation regulations.

■ The inlet hose must be positioned so that it does not touch any of the hot parts of the hob or oven.

■ Induction hobs should only be installed on forced ventilation ovens of the same brand. Refrigerators, dishwashers, unventilated ovens or washing machines must not be installed under the hob.

■ If the hob is installed above a drawer, it is recommended to use an intermediate support, as metal objects stored in the drawer could reach high temperatures as a result of the circulating air coming from the hob's ventilation system.

A strip of wood can be used as an intermediate support or an appropriate accessory can be obtained from our After-Sales Service.

The reference code for this accessory is 476611.

■ Any change to the appliance's interior, including changing the power cable, must be performed by the Technical Assistance Service.

Preparing the kitchen units – Figure 1/2/3/4

■ The worktop should be flat and horizontal. The aperture should be cut before the appliance is installed.

Remove any shavings, as these can affect the operation of the electrical components. When the cutting has been completed, the unit's stability should be checked again.

■ Surfaces which have been cut should be sealed so that they are heat resistant and so that they do not swell when moist.

■ The kitchen units to be fitted must resist temperatures of up to 90°C.

■ The gap between the aperture and the side wall must be at least: 40 mm. It is not recommended that the hob be placed between two side walls but, if this is the case, a gap of at least 200 mm should also be left on one side.

■ The worktop where the hob is installed should be:

30 mm thick, if it is installed above an oven,

20 mm thick, if it is installed without an oven or above a drawer,

■ If the interior width of the kitchen unit is less than 750 mm, a 35 mm-long cut must be made in the side walls from the top section of the hob (figure 1).

■ Taking into account the hob ventilation:

– an aperture must be cut in the top section of the back of the kitchen unit, 550 mm wide and 45 mm high (figure 2),

– there must be a gap of 20 mm between the back of the kitchen unit and the kitchen wall (figure 4).

– if the hob is installed above a drawer, allow a gap of 65 mm between the drawer and the top section of the hob.

■ If a wooden panel is installed as an intermediate support, this should be 5 mm thick. The following requirements must also be taken into account:

– allow a gap of 65 mm between the wooden panel and the top section of the hob.

– the aperture cut in the back of the panel (figure 2) must be sufficiently deep to enable the hob cable to be fed through it (figure 3).

The wooden panel must be as airtight as possible, to separate the drawer from the area in which the hob air is circulated. To ensure this is the case, the dimensions of the panel must be adjusted to fit the measurements of the kitchen unit housing in which the hob will be installed.

Installing and connecting the hob - Figure 5

■ See the rating plate for the voltage.

■ Connect according to the connection diagram only.

■ The earth wire (green and yellow) should be connected first and disconnected last. It should also be longer than the others, so that even if the hob is moving the other wires can be disconnected before the earth wire.

■ Do not trap the lead during installation and do not guide it over sharp edges.

■ The hob and the worktop should not be sealed with silicone, as the hob itself has a seal which serves this function.

Removing the hob

Disconnect the cooker from the power supply.

Push out the hob from below.

Connection diagram – Figure 6

1. Brown
2. Black
3. Blue
4. White
5. Yellow and green

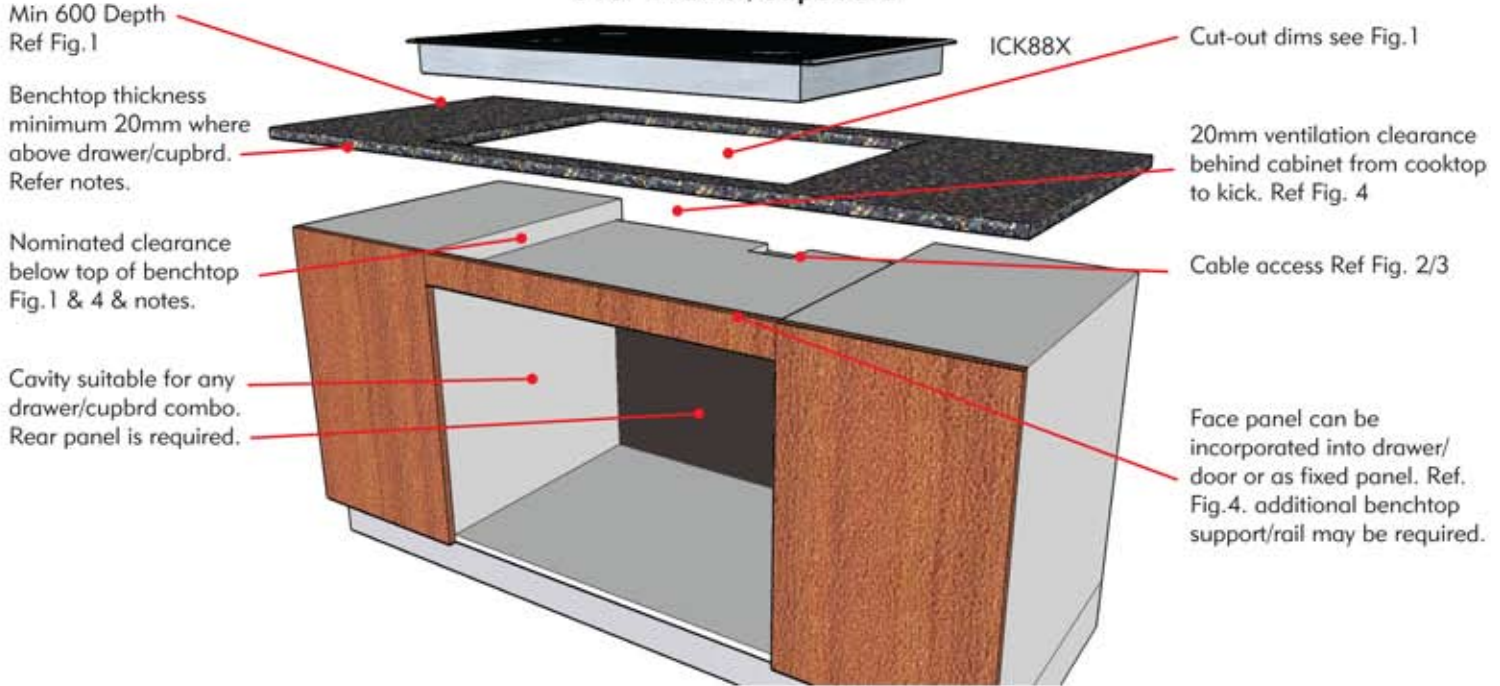
Dimensions and Specifications

Induction Cooktop

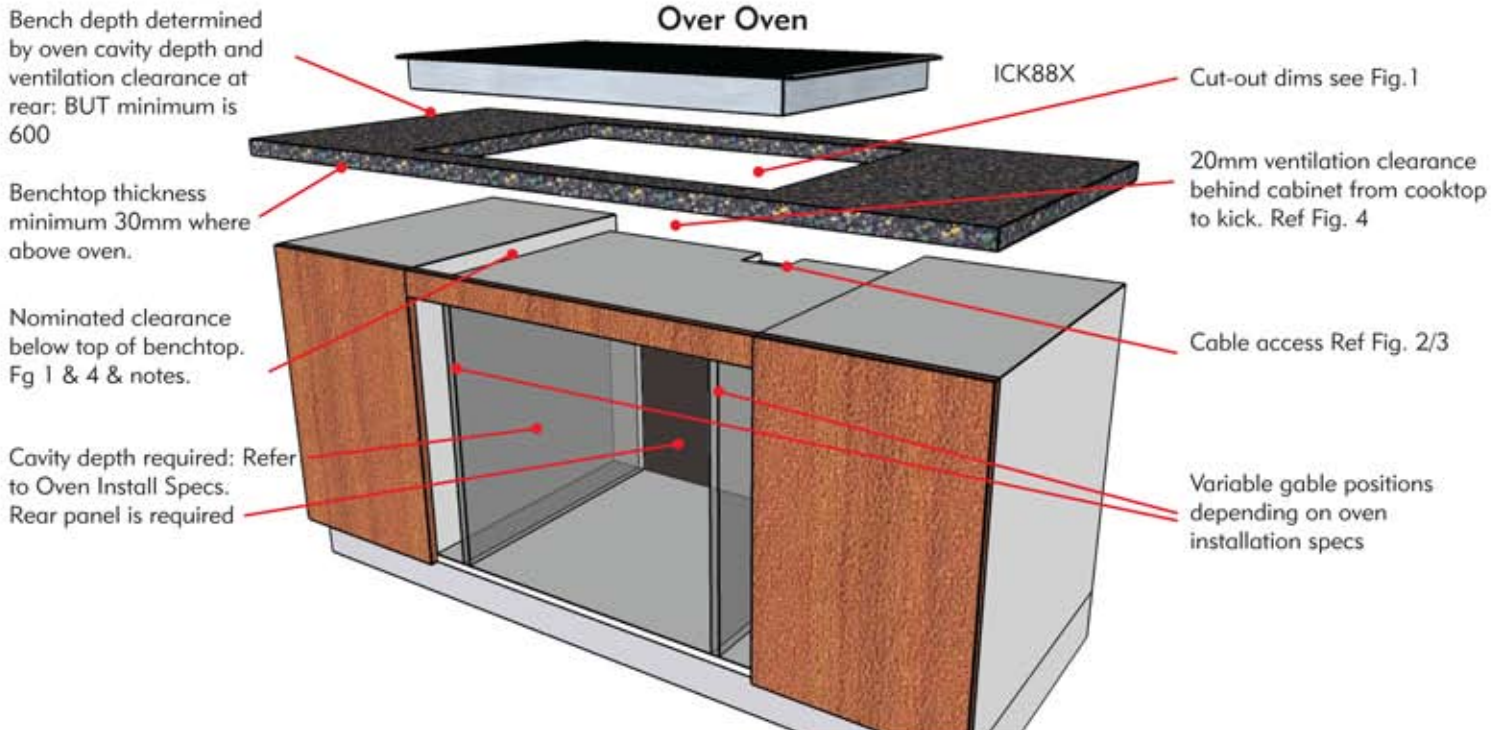
Installation Pictorial

Provided as a visual illustration to supplement installation procedures

Over Drawer/Cupboard



Over Oven



IMPORTANT:

Ventilation slot at rear of cabinet impacts on overall depth when incorporating an oven under ICK88X.

*Technical Specifications and product sizes can be varied by Manufacturer without notice. Any cut-outs for appliances should only be by physical measurements. Drawings are not to scale. All information supplied is for general reference purposes only and is on the understanding that Kleenmaid Pty Ltd will not be liable for any loss, liability or damage whatsoever arising as a result of reliance of such information.