

# **KLEENMAID**

**T H E   W O R L D ' S   B E S T**

BY **SpeedQueen** USA.

## **Installation Instructions For Model KAW793 Automatic Washer**



KEEP THESE INSTRUCTIONS FOR FUTURE REFERENCE. (If the washer changes ownership, be sure this manual accompanies the washer.)

# Table of Contents

|  |            |
|--|------------|
| Important Safety Instructions .....        | 3          |
| Roughing In Dimensions .....               | 5          |
| Before Installing .....                    | 5          |
| Tools Needed .....                         | 5          |
| Agitator .....                             | 5          |
| Positioning and Levelling the Washer ..... | 6          |
| Shipping Brace .....                       | 6          |
| Motor Overload Protector .....             | 6          |
| Electrical Requirements .....              | 7          |
| Water Supply .....                         | 8          |
| Drain Facilities .....                     | 10         |
| Drain Hose .....                           | 10         |
| Low Standpipe Installation .....           | 11         |
| High Standpipe Installation .....          | 11         |
| Sink Installation .....                    | 12         |
| In the Wall Installation .....             | 12         |
| Laundry Tub Installation .....             | 12         |
| Information for Handy Reference .....      | Back Cover |

**▲ WARNING**

**FOR YOUR SAFETY  
and to reduce the risk of fire or an  
explosion, do not store or use gasoline  
or other flammable vapors and liquids  
in the vicinity of this or  
any other appliance.**

# IMPORTANT SAFETY INSTRUCTIONS

## (Save These Instructions)

### ▲ WARNING

To reduce the risk of fire, electric shock, serious injury or death to persons when using your washer, follow these basic precautions:

1. Read all instructions before using the washer.
2. Refer to the EARTHING INSTRUCTIONS in the INSTALLATION manual for the proper earthing of the washer.
3. Do not wash articles that have been previously cleaned in, washed in, soaked in, or spotted with gasoline, dry-cleaning solvents, other flammable or explosive substances as they give off vapors that could ignite or explode.
4. Do not allow children to play on or in the washer. Close supervision of children is necessary when the washer is used near children. This is a safety rule for all appliances.
5. Before the washer is removed from service or discarded, remove the lid to the washing compartment.
6. Do not reach into the washer if the washtub is revolving.
7. Do not install or store the washer where it will be exposed to water and/or weather.
8. Do not tamper with the controls.
9. Do not repair or replace any part of the washer, or attempt any servicing unless specifically recommended in the user-maintenance instructions or in published user-repair instructions that you understand and have the skills to carry out.
10. Do not add gasoline, dry-cleaning solvents, or other flammable or explosive substances to the wash water. These substances give off vapors that could ignite or explode.
11. Under certain conditions, hydrogen gas may be produced in a hot water system that has not been used for two weeks or more. **HYDROGEN GAS IS EXPLOSIVE.** If the hot water system has not been used for such a period, before using a washing machine or combination washer-dryer, turn on all hot water taps and let the water flow from each for several minutes. This will release any accumulated hydrogen gas. **THE GAS IS FLAMMABLE, DO NOT SMOKE OR USE AN OPEN FLAME DURING THIS TIME.**
12. To reduce the risk of an electric shock or fire, **DO NOT** use an extension cord or an adapter to connect the washer to the electrical power source.
13. Use your washer only for its intended purpose, washing clothes.
14. **ALWAYS** disconnect the washer from electrical supply before attempting any service. Disconnect the power cord by grasping the plug, not the cord.
15. Install the washer according to the **INSTALLATION INSTRUCTIONS**. All connections for water, drain, electrical power and earthing must comply with local codes and be made by licensed personnel when required.
16. To reduce the risk of fire, clothes which have traces of any flammable substances such as vegetable oil, cooking oil, machine oil, flammable chemicals, thinner, etc. must not be put into the washer. These flammable substances may cause the fabric to catch on fire by itself.
17. Do not use fabric softeners or products to eliminate static unless recommended by the manufacturer of the fabric softener or product.
18. Keep your washer in good condition. Bumping or dropping the washer can damage safety features. If this occurs, have your washer checked by a qualified serviceman.
19. Replace worn power cords and/or loose plugs.
20. Be sure water connections have a shut-off valve and that fill hose connections are tight. **CLOSE** the shut-off valves at the end of each wash day.

(continued)

21. Loading door **MUST BE CLOSED** any time the washer is to agitate or spin. **DO NOT** by-pass the loading door switch by permitting the washer to agitate or spin with the loading door open. A brake will stop the washtub within seconds if the loading door is opened during spinning. If the washtub does not stop when the loading door is opened, remove the washer from use and call the serviceman.

22. Always read and follow manufacturer's instructions on packages of laundry and cleaning aids. Heed all warnings or precautions. To reduce the risk of poisoning or chemical burns, keep them out of the reach of children at all times (preferably in a locked cabinet).

23. Always follow the fabric care instructions supplied by the garment manufacturer.

24. Never operate the washer with any guards and/or panels removed.

25. **DO NOT** operate the washer with missing or broken parts.

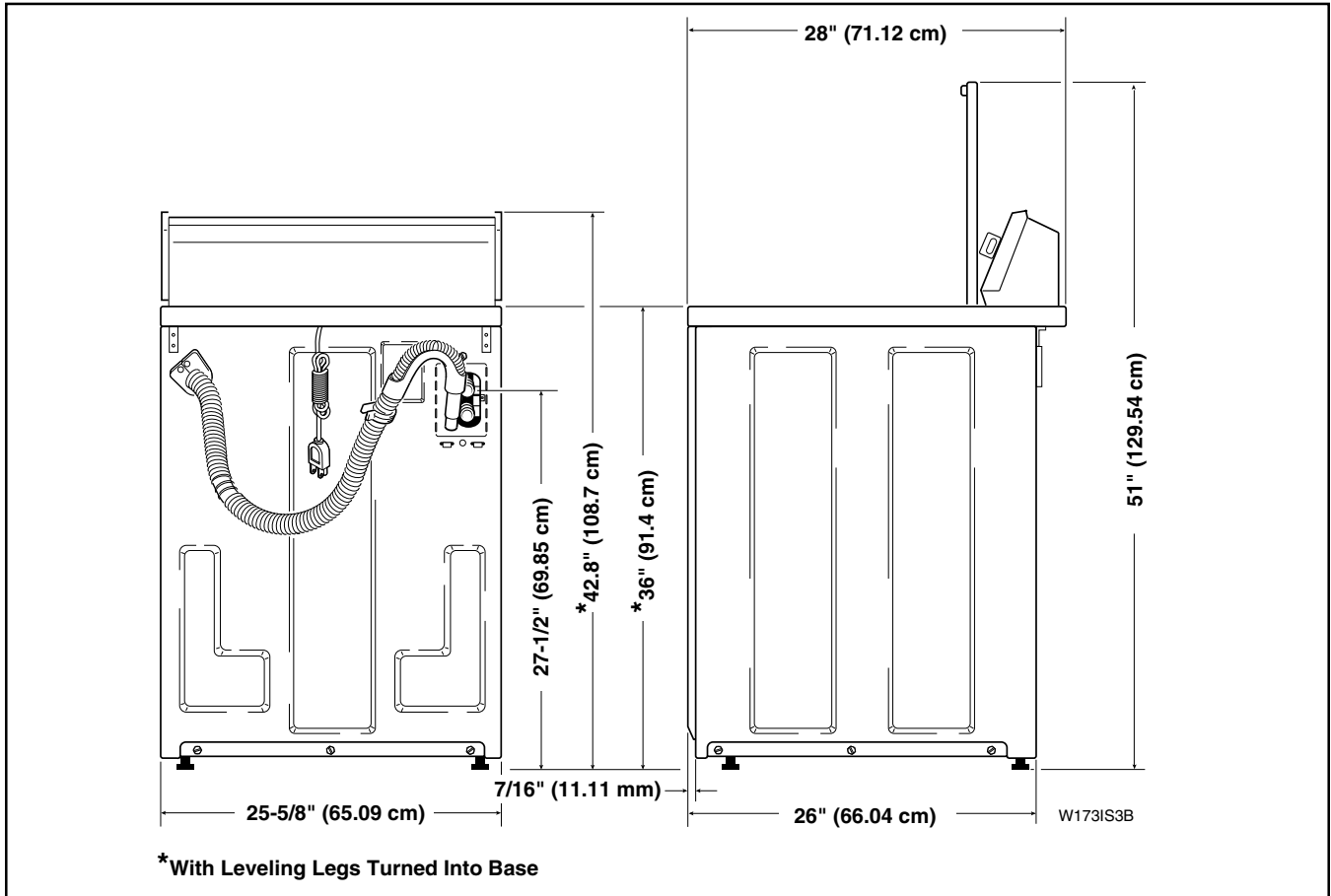
26. **DO NOT** by-pass any safety devices.

27. Failure to install, maintain, and/or operate this machine according to the manufacturer's instructions may result in conditions which can produce bodily injury and/or property damage.

**NOTE:** The **WARNING AND IMPORTANT SAFETY INSTRUCTIONS** appearing in this manual are not meant to cover all possible conditions and situations that may occur. It must be understood that common sense, caution and carefulness are factors which **CANNOT** be built into the washer. These factors **MUST BE** supplied by the person(s) installing, maintaining, or operating the washer.

Always contact your dealer, distributor, service agent or the manufacturer about any problems or conditions you do not understand.

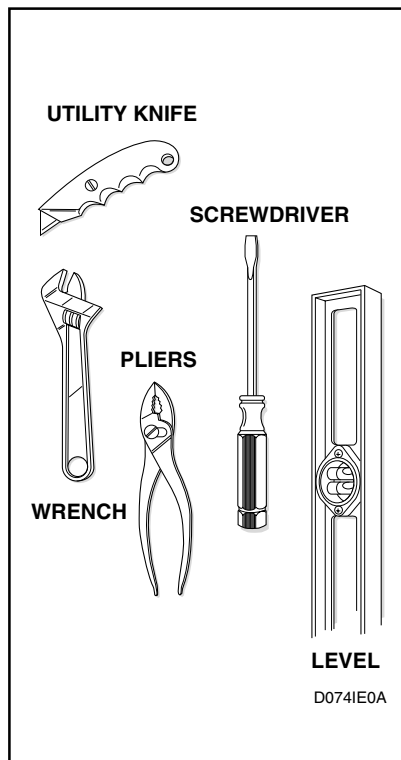
# Roughing In Dimensions . . .



# Before Installing . . .

## Tools Needed

For most installations, the basic tools you will need are:



## Agitator

The agitator should not be removed except for service. The washtub is designed to be self-cleaning.

# Installing the Washer . . .

## Positioning and Levelling the Washer

Place rubber feet on all four levelling legs.

Place washer in position on a clean, dry, and reasonably firm floor. Installing the washer on any type of carpeting is not recommended.

Loosen locknuts and adjust the two front levelling legs. Once adjusted, tilt the unit forward on front legs and lower back down into position to set the rear self-levelling legs.

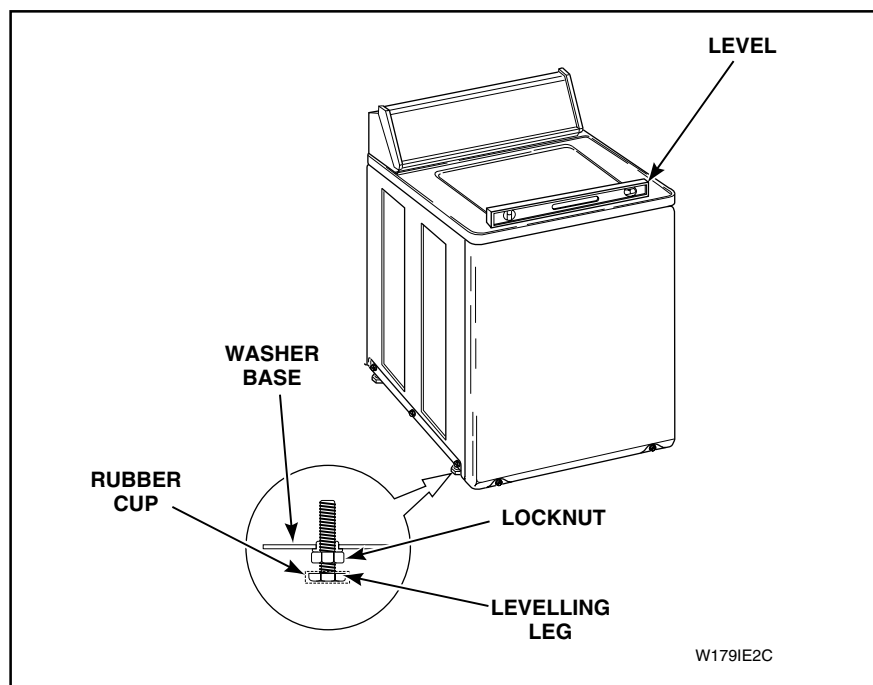
Washer must not rock. After washer is at desired height, tighten locknuts securely against bottom of washer base. If these locknuts are not tight, washer will not remain stationary during operation.

Improper installation or flexing of a weak floor will cause excessive vibration.

Do not slide washer across floor once the levelling legs have been extended, as legs and base could become damaged.

## Shipping Brace

The shipping brace should be saved and must be used (to prevent damage to washer components), whenever washer is moved or transported to a new location.



# Motor Overload Protector . . .

The internal overload protector will stop the motor automatically in the event of an overload. The overload protector will reset itself in two or three minutes and the motor will restart automatically. If the overload protector stops motor again, remove the washer from use and call the serviceman to correct the problem.

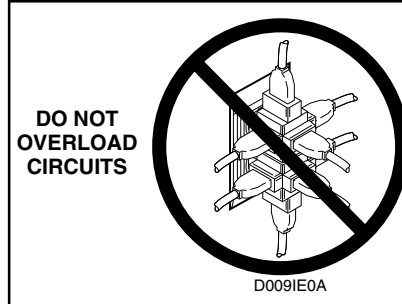
# Electrical Service . . .

NOTE: The wiring diagram is located in either the control hood, or on the backside of the washer front panel.

## ▲ WARNING

To reduce the risk of fire, electric shock or personal injury, all wiring and grounding **MUST** conform with the latest edition of the National Electrical Code, ANSI/NFPA 70, and such local regulations as might apply. **IT IS THE CUSTOMER'S RESPONSIBILITY TO HAVE THE WIRING AND FUSES CHECKED BY A QUALIFIED ELECTRICIAN TO MAKE SURE YOUR HOME HAS ADEQUATE ELECTRICAL POWER TO OPERATE THE WASHER.**

DO NOT OPERATE OTHER APPLIANCES ON THE SAME CIRCUIT. DO NOT OVERLOAD CIRCUITS! See illustration below.



## ▲ WARNING

To reduce the risk of an electric shock or fire, **DO NOT** use an extension cord or an adapter to connect the washer to the electrical power source.

## ▲ WARNING

Improper connection of the equipment-grounding conductor can result in a risk of electric shock. Check with a qualified electrician or serviceman if you are in doubt as to whether the washer is properly grounded.

Do not modify the plug provided with the washer — if it will not fit the outlet, have a proper outlet installed by a qualified electrician.

The washer is designed to be operated on a two wire, plus earth, 240 Volt, 50 Hertz, single-phase circuit, fused at 10 Ampere.

Before installing the washer, have a qualified electrician check to make sure your home has adequate electrical power to operate the washer.

Plug the power cord into an earthed, three pin power outlet on a separate circuit.

## Earthing Instructions

To reduce the risk of fire, electric shock, or injury to persons when using the washer, all wiring and earthing to the washer **MUST** conform with local codes. It is the customer's responsibility to have the wall receptacle and the fuse checked by a qualified electrician.

The washer must be earthed. In the event of malfunction or breakdown, grounding will reduce the risk of electric shock by providing a path of least resistance for electric current. The washer is equipped with a cord having a three pin earthed plug. The plug must be plugged into an appropriate outlet that is properly installed and grounded in accordance with all local codes and ordinances.

# Water Supply . . .

## ▲ WARNING

Under certain conditions, hydrogen gas may be produced in a hot water system that has not been used for two weeks or more. **HYDROGEN GAS IS EXPLOSIVE.** If the hot water system has not been used for such a period and before using the washer, turn on all hot water faucets and let the water flow from each for several minutes. This will release any accumulated hydrogen gas. **THE GAS IS FLAMMABLE, DO NOT SMOKE OR USE AN OPEN FLAME DURING THIS TIME.**

NOTE: Water supply faucets should be readily accessible to permit turning them off when washer is not being used.

Water level in washer is controlled by a water level switch.

## Water Pressure

Pressure must be a minimum of 20 to a maximum of 120 pounds per square inch (137.9 to 827.4 kPa) static pressure measured at the faucet.

NOTE: Water pressure under 20 pounds per square inch (137.9 kPa) will cause an extended fill time in the washer.

## Water Temperature

### Cold:

Same as cold water supply. (Recommended cold water temperature is 50 to 75° Fahrenheit, 10 to 23.8° Celsius).

### Hot:

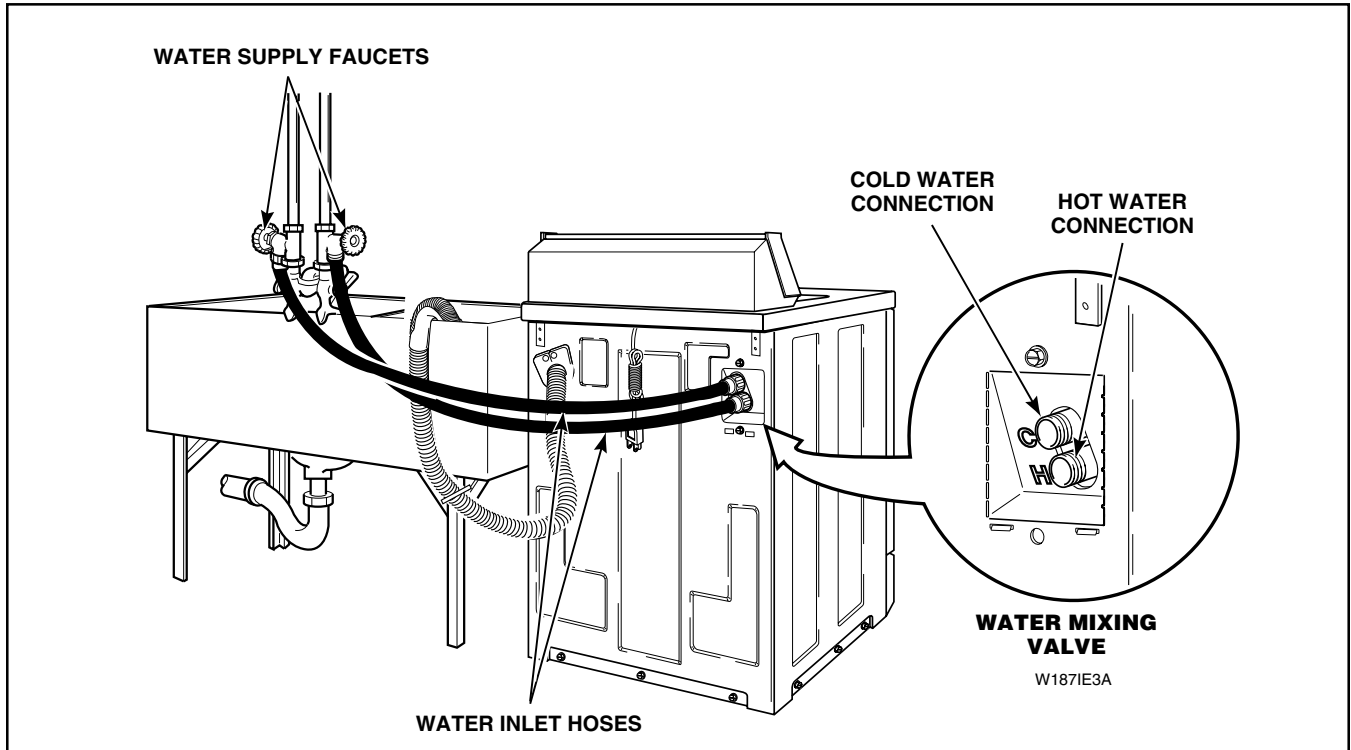
Same as hot water supply. (Recommended hot water temperature is 140 to 150° Fahrenheit, 60 to 65.5° Celsius).

### Warm:

Mixture of hot and cold water. (Warm water temperature is dependent upon the water temperature and the pressure of both the hot and cold water supply lines.)

**IMPORTANT:** Turn off water supply faucets after check-out and demonstration. Owner should turn off water supply at end of each wash day.

Water supply taps must fit standard 3/4 inch (19.05 mm) B.S.P. female garden hose couplings. **DO NOT USE SLIP-ON OR CLAMP-ON CONNECTIONS.**





## Water Inlet Hose Connections

Install water inlet hoses as follows:

1. Remove the two screened filter washers and the two plain rubber washers from accessories bag.
2. Insert each filter washer into one end of each inlet hose coupling (two hoses supplied with washer), see below.

NOTE: Screen must be facing outward when installed in hose coupling, see below.

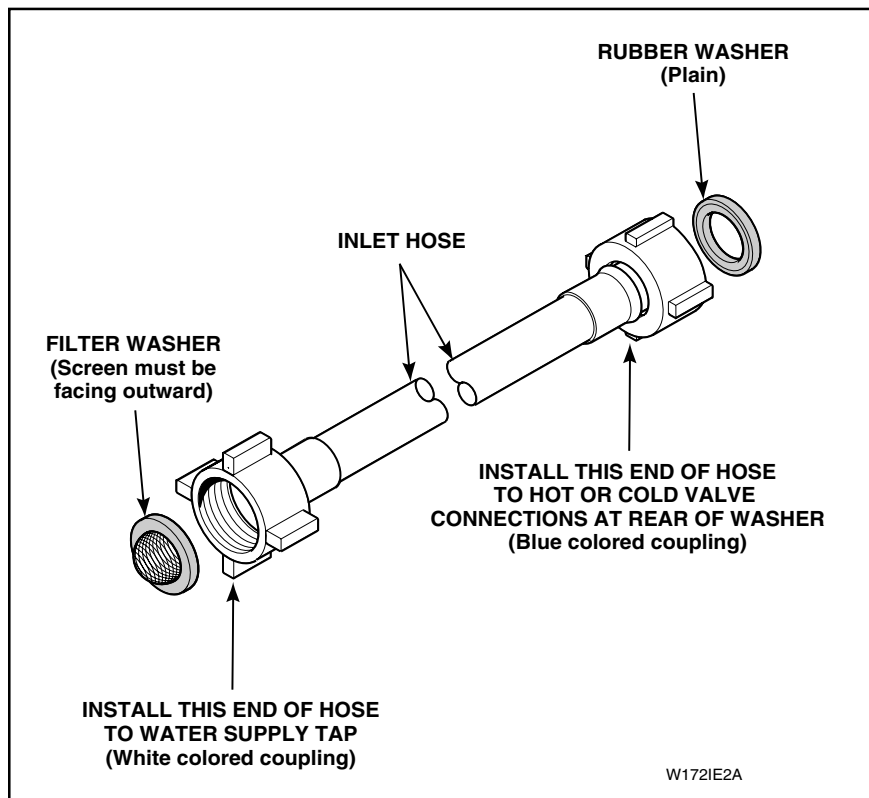
3. Insert the plain rubber washers into the opposite end of each inlet hose coupling.
4. Turn on the water supply faucets and flush the lines for approximately two minutes to remove any foreign materials that could clog the filter screens in the inlet hoses, or the screens in the water mixing valve.

**IMPORTANT:** Connect the white colored hose coupling end of inlet hoses (with screened washers) to water supply taps. Then connect end of hoses with the blue colored hose couplings to the hot and cold water mixing valve connection at rear of washer, page 8.

When attaching hoses to the machine end, always attach the hot (lower) hose first, and ensure that when it is tightened, the raised knurls are not in the 12 o'clock position. If they are, they will interface with the knurls on the cold hose when it is fitted.

**IMPORTANT:** Thread hose couplings onto valve connections finger-tight, then 1/4 turn with pliers. **DO NOT** cross thread or overtighten couplings.

**NOTE:** It will be the owner's responsibility for service calls for cleaning filter screens. The screens should be cleaned prior to calling for service when a reduction of water flow is noticed.



## Drain Facilities

**IMPORTANT:** The drain hose installation is a very important factor in the washer installation. If care is not taken when the drain hose is installed, a siphoning action can be started in the washer which will cause water to be siphoned from the washer during the cycle.

The end of the drain hose should never be in the water as a siphoning action may occur. This will cause water to be siphoned back into the washer.

The outer end of the drain hose (with sleeve) **MUST** be installed above the height of the cabinet top of the washer to prevent siphoning. If the drain receptacle is lower than the cabinet top, a siphon break kit, Part No. 562P3, must be installed in the drain hose to prevent this siphoning action. The No. 562P3 Siphon Break Kit is available as optional equipment at extra cost.

If additional drain hose length is required, order drain extension kit, No. 406P3, and use No. 20616 Drain Hose as required. The No. 406P3 Kit and No. 20616 Drain Hose are available as optional equipment at extra cost.

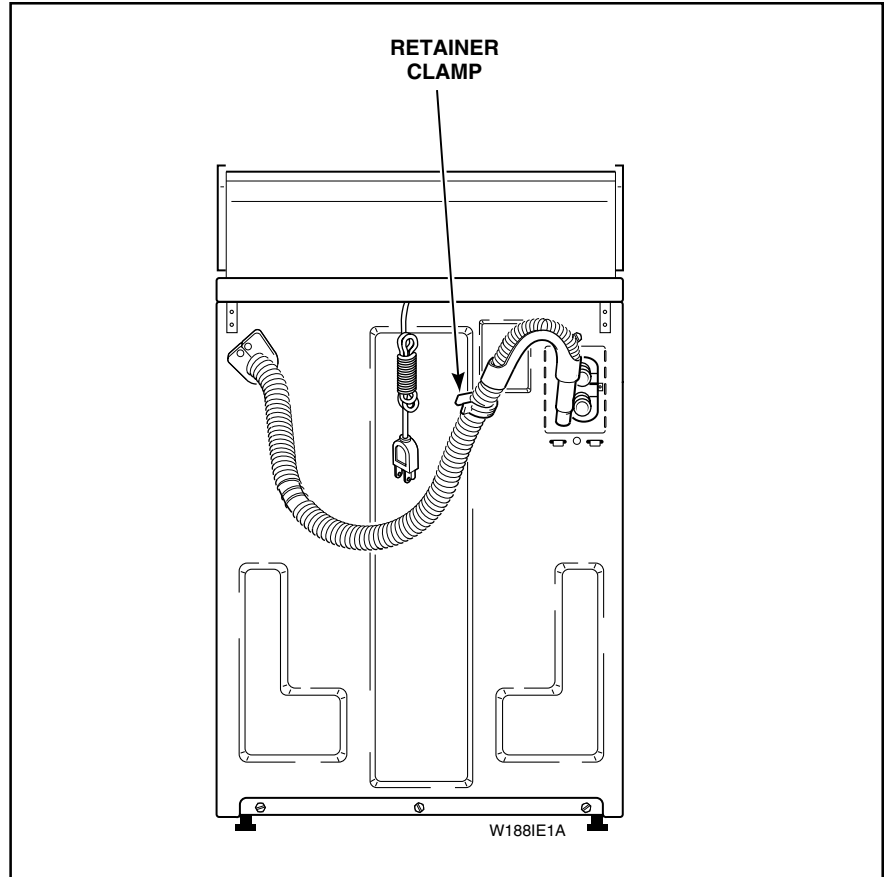
## Drain Hose

**NOTE:** The washer is shipped from the factory with the drain hose sleeve already assembled on the drain hose, ready for installation.

Remove the drain hose from its shipping position on the rear of the washer by unhooking the hose from the retainer clamp.

Follow the instructions outlined in this manual for installing the curved end of the drain hose into the appropriate drain receptacle.

**IMPORTANT:** To prevent siphoning, ribbed portion of the hose must not extend beyond the end of the drain hose sleeve.



# Installations . . .

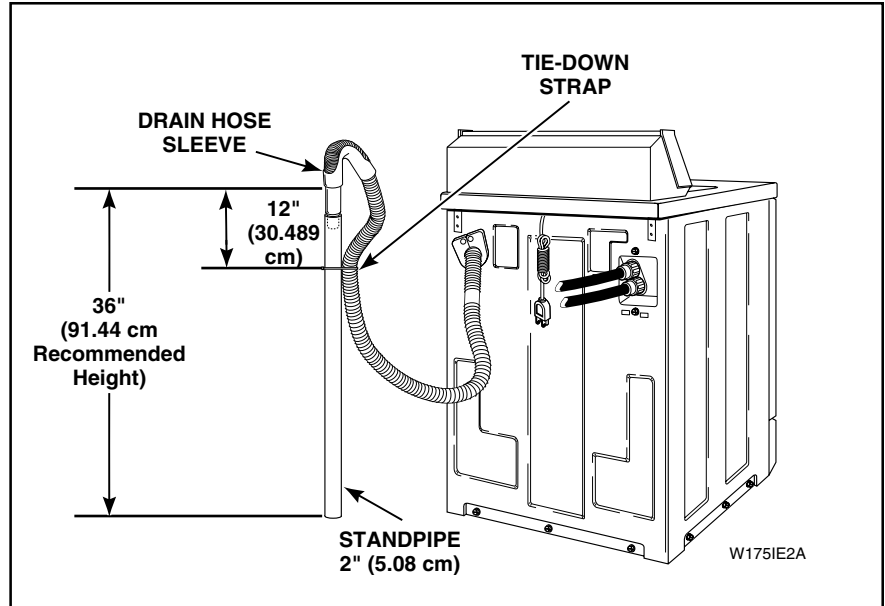
## Standpipe Installation

Place washer in its location.

Place only the smooth end of the drain hose into the standpipe. **DO NOT**, under any circumstances, place any ribbed portion of the drain hose into the standpipe!

**IMPORTANT:** Drain receptacle must be capable of handling a minimum of 1-1/4 inch (3.175 cm) outside diameter drain hose and the recommended standpipe height is 36 inches (91.44 cm).

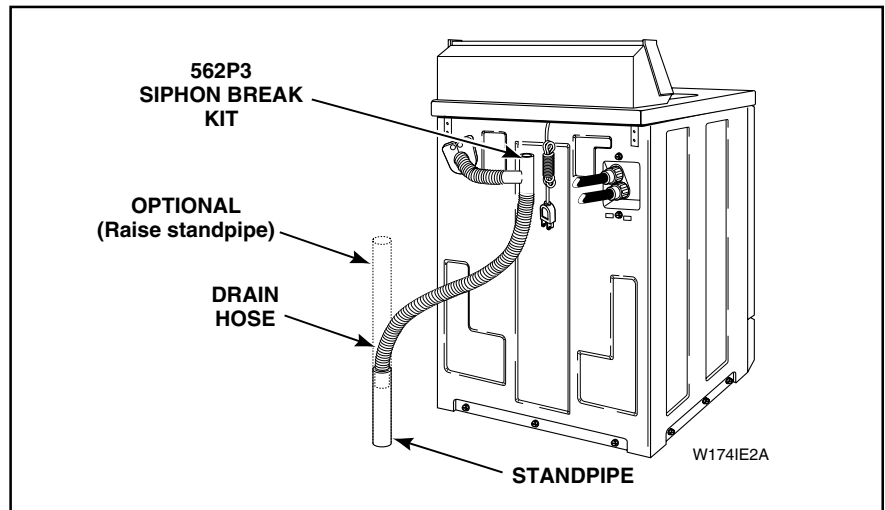
Remove the beaded tie-down strap from accessories bag and place around standpipe and drain hose, approximately 12 inches (30.489 cm) down from the top of pipe and tighten strap to hold hose to standpipe. This will prevent the drain hose from dislodging from drain receptacle during use.



## Low Standpipe Installation

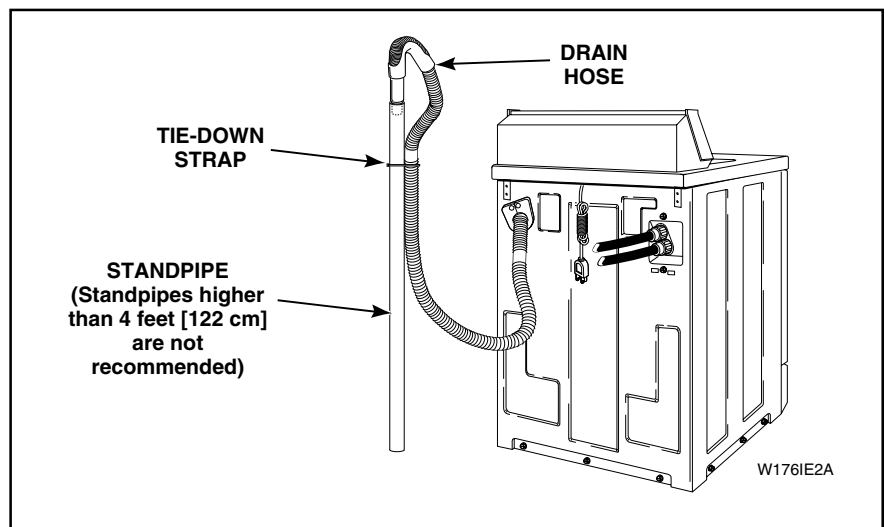
**NOTE:** No. 562P3 Siphon Break Kit is required for this type of installation. This kit is available (as optional equipment at extra cost) through an authorized dealer or parts distributor. Installation instructions are supplied with the kit.

**OPTIONAL:** Raise the standpipe to the height of the cabinet top.



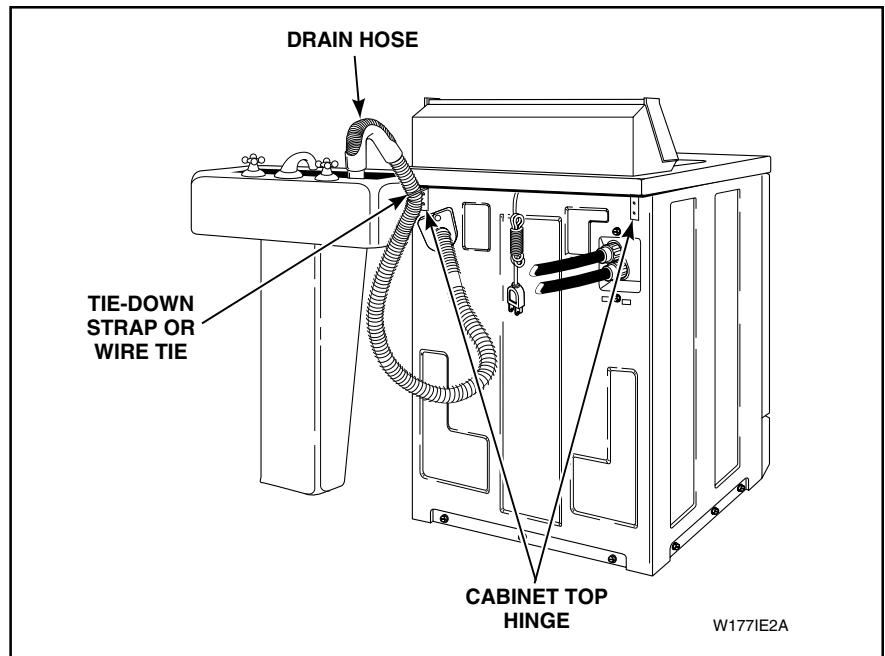
## High Standpipe Installation

**NOTE:** No. 562P3 Siphon Break Kit is not required for this type of installation.



## Sink Installation

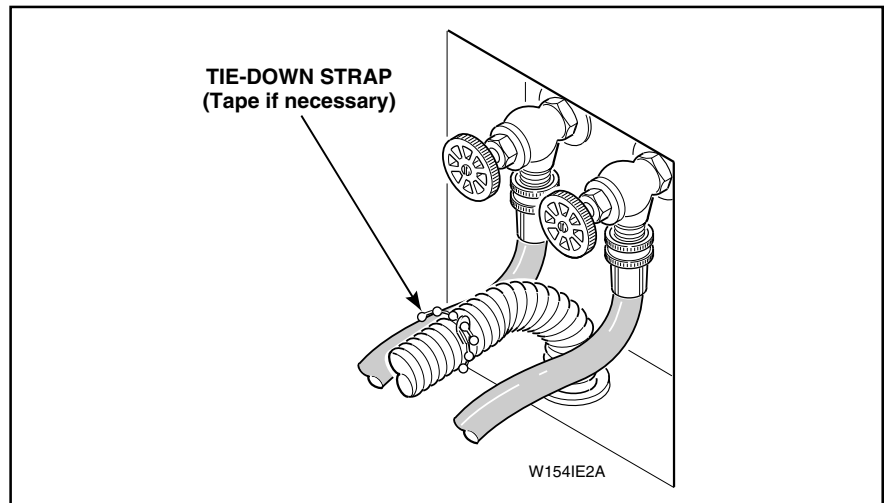
For this type of installation, use the beaded tie-down strap (supplied in accessories bag), or use a large wire tie (available from your local hardware store) and secure the drain hose to the cabinet top hinge, see illustration. This will prevent the drain hose from dislodging during use.



## In The Wall Installation

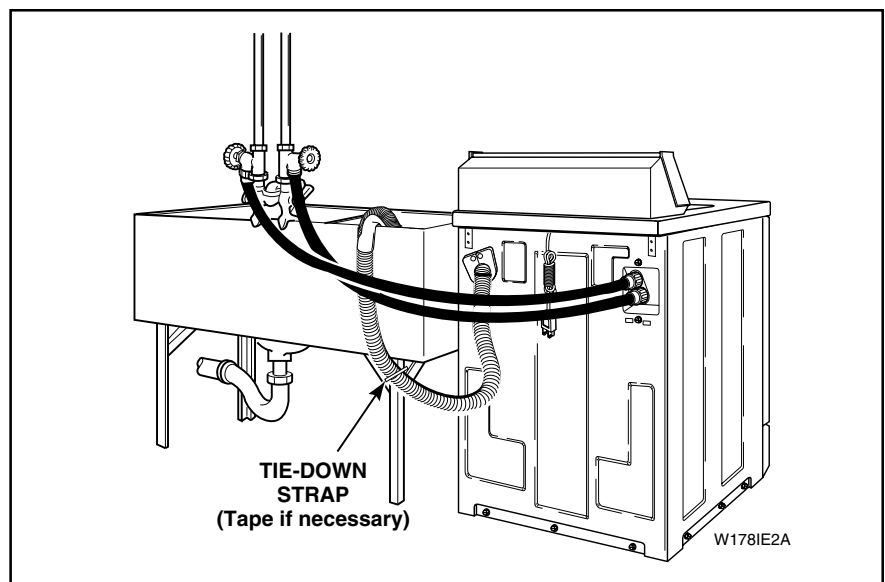
For installations of this type, the drain hose **MUST** be secured to one of the inlet hoses using the beaded tie-down strap from accessories bag.

NOTE: End of drain hose must not be below height of cabinet top.



## Laundry Tub Installation

For this type of installation, the drain hose **MUST** be secured to the stationary tub to prevent hose from dislodging during use. Use the beaded tie-down strap (supplied in accessories bag) to secure hose.









# Information for Handy Reference . . .

Kleenmaid  
P.O. Box 36  
Brookvale, NSW 2100 Australia

Date Purchased \_\_\_\_\_

Model Number \_\_\_\_\_ Serial Number \_\_\_\_\_

Dealer's Name \_\_\_\_\_ Phone Number \_\_\_\_\_

Dealer's Address \_\_\_\_\_ Phone Number \_\_\_\_\_

Service Agency \_\_\_\_\_

Service Agency Address \_\_\_\_\_

Record the above information and keep your sales slip. Model and serial numbers are located on the nameplate.

**Customer Service and Information Freecall:**

**1-800-072-144**