

Laundry Appliances

Use and Care Manual

KED301 Compact Dryer

congratulations

the best you can own.

Congratulations on the purchase of your new Kleenmaid professional series appliance. This appliance has been designed and manufactured to give you years of reliable performance.

the kleenmaid story.

More than one million Australians enjoy using Kleenmaid appliances daily. Selected because of their unique design, outstanding performance, excellent quality and unquestionable reliability, each one is value-for-money, 100 per-cent guaranteed and at the top of its class.

attention to detail.

We are proud of our reputation for product innovation and service excellence. By dealing direct, we can ensure that you consistently receive a high standard of customer service.

Free delivery, dedicated customer service and after-sales service team plus free kitchen design and planning seminars are just a few of the ways we are setting new benchmarks for customer service and experience.

satisfaction guaranteed.

Your new professional series appliance is covered by a written five-year parts and labour warranty, no lemon guarantee, and a unique best value guarantee.

best results.

For best results, carefully read the enclosed instructions on how to install your new appliance. Correct installation will avoid delays and unnecessary service calls.

This booklet provides you with comprehensive information to help you get to know the controls and the features of your new appliance.

IMPORTANT USER INFORMATION

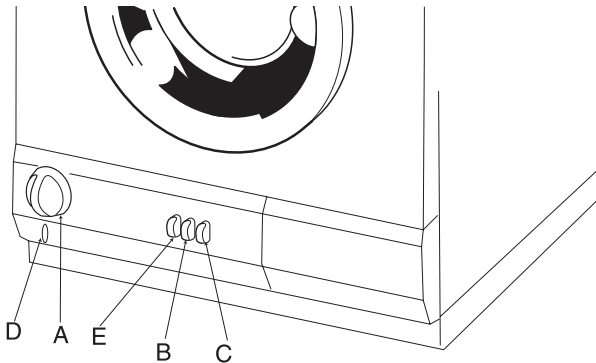
These notes are provided in the interest of safety. You must read them carefully before installing or using the appliance.

- Children should not be allowed to tamper with the controls.
- This tumble dryer is intended for domestic use only.
- Any electrical work required to install the appliance should be carried out by a qualified person.
- This tumble dryer should be serviced by an appointed service organisation and only genuine spare parts used.
- It is dangerous to alter or modify the product in any way, other than fitting authorised accessories.
- After each drying cycle it is important to clean the lint filter before removing the clothes.
- Under no circumstances should anything other than the recommended articles be placed in the tumble dryer.
- Do not place articles which have been in contact with dry cleaning fluid or other inflammable substances in the tumble dryer.
- Do not attempt to dry dripping wet articles or items containing foam rubber or rubber-like materials.
- Do not use the tumble dryer if you suspect that it is damaged in any way. Under no circumstances should you attempt to repair the appliance yourself. Repairs carried out by inexperienced persons may cause serious injury. Consult your local appointed service engineer and insist on genuine spare parts.
- We recommend that the appliance is unplugged each time after use. It should always be disconnected from the electricity supply if it is to be left unattended for long periods i.e. weekends, holidays etc.
- This appliance is not intended for use by young children or infirm persons unless they have been adequately supervised by a responsible person to ensure that they can use the appliance safely.
Young children should be supervised to ensure that they do not play with the appliance.
- If this appliance is connected to a cord extension, this extension must be positioned so that it is not subject to splashing or ingress of moisture.
- To minimize the risk of fire in the tumble dryer, the following should be observed:
 - Items that have been spotted or soaked with vegetable or cooking oil constitute a fire hazard and should not be placed in a tumble dryer. Oil affected items can ignite spontaneously, especially when exposed to heat.
 - Items that have been previously cleaned in, washed in, soaked in or spotted with petrol/gasoline, dry-cleaning solvents or other flammable or explosive substances should not be placed in a tumble dryer. Highly flammable substances commonly used in domestic environments include acetone, denatured alcohol, petrol/gasoline, kerosene, spot removers, turpentine and wax removers.
- Items containing foam rubber (also known as latex foam) or similarly textured rubber, like material should not be dried in a tumble dryer on a heat setting. Foam rubber materials can, when heated, produce fire by spontaneous combustion.
- Fabric softeners or similar products should not be used on a tumble dryer to eliminate the effects of static electricity unless specifically recommended by the manufacturer of the fabric softener or product.
- Undergarments that contain metal reinforcements should not be placed in a tumble dryer as damage to the dryer can occur.
 - Plastic articles such as shower caps or babies' waterproof napkin covers should not be placed in a tumble dryer.
 - Rubber-backed articles, clothes fitted with foam rubber pads, pillows, galoshes and rubber-coated tennis shoes should not be placed in a tumble dryer.

1 Installation

- 1.1 Make sure that the air inlets at the back are not blocked and do not allow fluff to accumulate around your dryer.
- 1.2 If you wish to change the side on which your door opens see section 8 “To change door opening”.
- 1.3 If your dryer is to be used with the control panel at the bottom see section 9 “To change control panel”.
- 1.4 An optional wall-mounting kit is available from your dealer. If your dryer is to be wall-mounted see section 10 “To wall mount”.
- 1.5 Remove any dust by wiping the drum and door with a damp cloth. Any initial smell from the heater should disappear after the first period of heating.
- 1.6 **WARNING: THIS APPLIANCE MUST BE EARTHED.**
The dryer must be connected to its own socket. Do not use a “double” adaptor or “power board”.
- 1.7 Ensure that the tumble dryer is installed in such a way that the full opening of the dryer door is obtained.

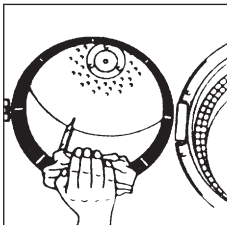
2 Control Panel



- A.** The programme timer. Calibrated up to 140 minutes including 12 minutes cool down at the end of each drying cycle. (Maximum drying time is the first increment past 0 when turning the knob in a clockwise direction).
- B.** The low/high heat selector switch.
Press button in for full heat.
Press again to release for half heat.
- C.** The Anti-crease selector switch. Use this feature if you are not going to be present to unload the dryer as soon as it has finished. It will then minimise garment creasing caused by clothes lying for long periods in a stationary drum by occasional drum rotation (10 seconds in every 6 minutes).
- D.** The “Dryer on” neon. Lights when the dryer is running. Also remains lit after end of cycle if Anti-crease has been selected.
- E.** Start.




3 Operation

- 3.1 Roll dripping wet articles in a towel to remove excess water.
Sort out the clothes into groups of similar fabrics and colours. Check the care label inside the garment.
Delicate articles e.g. tights should be placed inside a pillowcase.
It is better to dry small and large articles together.
- 3.2 Open the door.
Load clothes loosely into the drum.
Load sheets first starting with one corner.
- 3.3 Close the door.
Dry your hands.
Check that the timer is in the “ ” position.
Plug in the machine. ●
- 3.4 Select correct heat position (see programme chart on control panel). Select Anti-crease if required.
Set the timer to the correct position (see programme chart on control panel).
PRESS START. The drum will now begin to rotate and stop when the timer automatically reaches the ‘O’ position.
- 3.5 When drying large items such as sheets, we suggest you stop the dryer to redistribute the load.
To stop the machine during the middle of the programme simply open the door; the drum will stop rotating automatically and restart when you close the door, and press start button. To lengthen or shorten the programme, reset the timer knob.
- 3.6 Before removing the dried clothes clean the filter by removing any thread or fluff by hand or with a soft brush or cloth. The filter is not removable.



- 3.7 Disconnect from the electricity supply.

4 Care labels you may find on your fabrics

	'Tumble drying beneficial'
	'Do not tumble dry'
	'Dry flat'

5 Don'ts

Do not – Overload the dryer.

Do not – Dry articles individually as they tend to roll up and so increase drying time.

Do not – Dry woollen or wool mixture articles unless the article is labelled as suitable.

Do not – Allow filter to become blocked.

Do not – Allow fluff to accumulate around the tumble dryer.

Do not – Drag your dryer over the floor as the rubber feet may come off. Please lift the dryer when moving it.

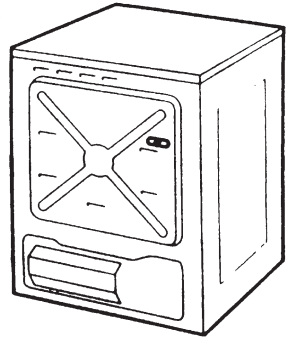
6 Any problems?

If the clothes are not dry after normal drying time:

- Check that the filter is clean.
- Check that you used the correct heater setting.
- Check that you have not set the timer within a cool down period.

If your machine does not work check the following before calling a service engineer:

- Check that there is a supply of electricity.
- Check that the machine is switched on and the door properly closed.
- Your machine is fitted with a resettable cut out. Check whether this has operated. There is a red button on the back of your dryer. Press it lightly. If it has operated then a sharp “click” will be heard. This cut-out only operates if the airflow is severely restricted so make sure the filter is clean and that all other restrictions are removed before re-starting.



7 Technical Data:

7.1 Overall dimensions: height 850mm width 595mm depth 530mm

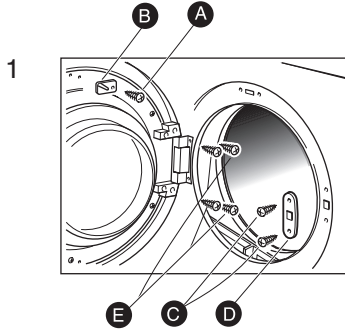
7.2 Maximum dry weight of cotton, linen 5 kg. synthetics 2.0 kg.

7.3 For electrical rating see plate on rear of machine.

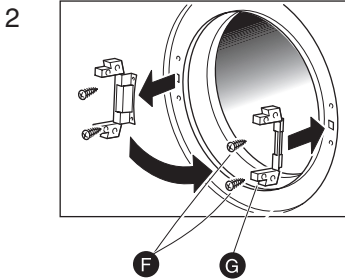
7.4 This product is manufactured to comply with the radio interference requirements of the Council directive 87/308/EEC - 89/336/EEC.

8 To change door opening

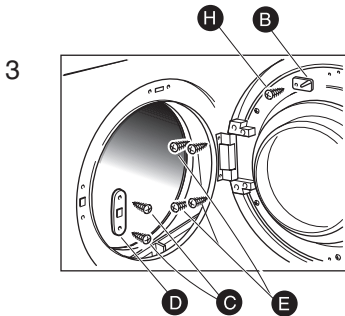
Your dryer is fitted with a reversible door. To change the direction of opening proceed as follows:



Open the door. Undo screw (A) remove switch strike (B) and replace screw. Remove screws (C) and latch plate (D). Remove hinge block screws (E). Remove door from hinge blocks.



Remove hinge screws (F) and hinge (G) and refit to opposite side as shown.



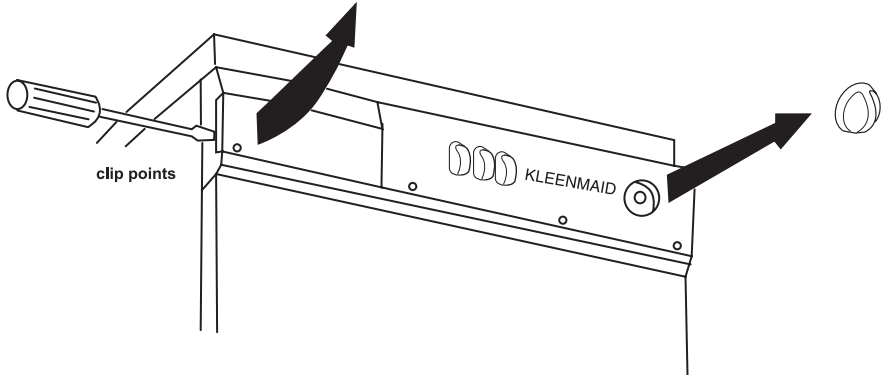
Refit latch plate (D) with screws (C). Remove screw (H) at top of door and refit switch strike (B) as shown. Fit door to hinge blocks and secure with screws (E).

9 To change control panel

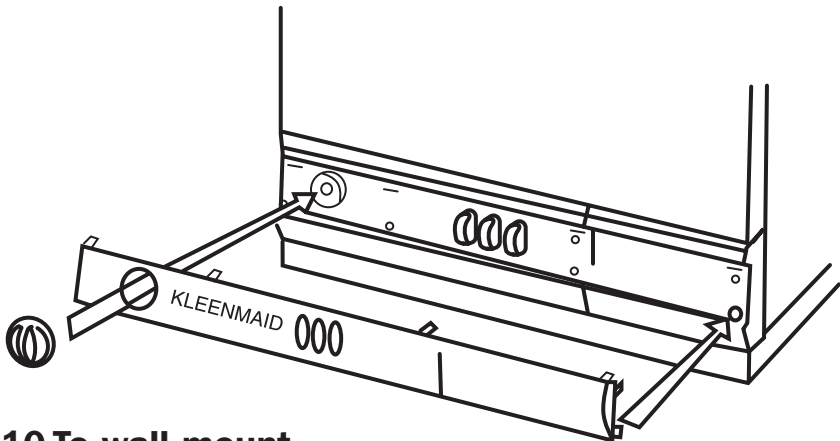
Your dryer is supplied with the Control Panel at the top. An additional Panel Infill is supplied which allows use of the dryer with the Control Panel at the bottom. This may be fitted as follows:

Grip the timer knob and pull to remove it from the dryer.

Remove the fitted panel by gently levering its bottom edge away from the dryer using a flat-bladed screwdriver. The panel is clipped at the four points indicated.



Hook the top edge of the replacement panel into the dryer, and clip in the bottom edge at the four points. Ensure that the three location pegs are engaged. Replace the timer knob ensuring that its flat is aligned with the flat on the timer shaft.



10 To wall mount

The dryer may be wall mounted with the control panel at the top or at the bottom. This will require a Wall Mount Kit. Please obtain this kit from your Kleenmaid dealer. Instructions for its fitting will be enclosed.

appliances available in the Kleenmaid range

the best products we can find.

We search the globe for products that meet our high standards of functionality, style and quality and are proud of our innovative range sourced from countries throughout the world.

This outstanding appliance from our professional series is proudly handed crafted in Italy.

Washing Machines
Dryers
Dishwashers
Ovens
Cooktops
Outdoor Cooking Centres
Built-In Coffee Machines
Rangehoods
Freestanding Ovens and Cooktops
Sinks
Waste Disposals
Taps
Cookware
Refrigerators
Wine Cellars
Vacuum Cleaners

**To find your nearest Kleenmaid Showroom
telephone 13 13 08.**