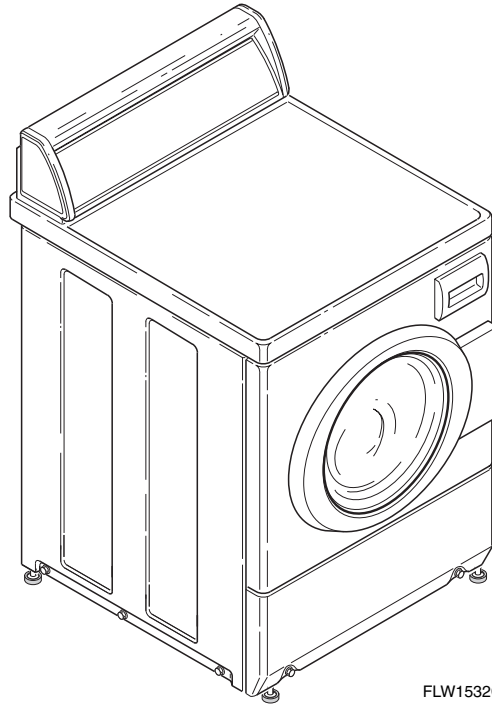


Frontload Washers

Model LTKA5A*N3050

Installation



FLW1532C

Keep These Instructions for Future Reference.

(If this machine changes ownership, this manual must accompany machine.)



Part No. 802760R2
April 2007

Table of Contents

Replacement Parts	3
Installation	5
Dimensions and Specifications	5
Before You Start	6
Tools	6
Electrical	6
Water	6
Accessories Bag	6
Installing the Washer	7
Step 1: Position Washer Near Installation Area	7
Step 2: Connect Fill Hoses	7
Step 3: Connect Drain Hose to Drain Receptacle	8
Step 4: Position and Level the Washer	11
Step 5: Remove the Shock Sleeves and Shipping Brace	12
Step 6: Wipe Out Inside of Washer Drum	12
Step 7: Plug In the Washer	12
Step 8: Check Installation	12
Moving Unit to a New Location	13
Electrical Requirements	13
Earthing Instructions	14
Water Supply Requirements	15
Water Temperature	15
Water Pressure	15
Risers	16
Information for Handy Reference	17
Installer Checklist	Back Cover

© Copyright 2007, Alliance Laundry Systems LLC

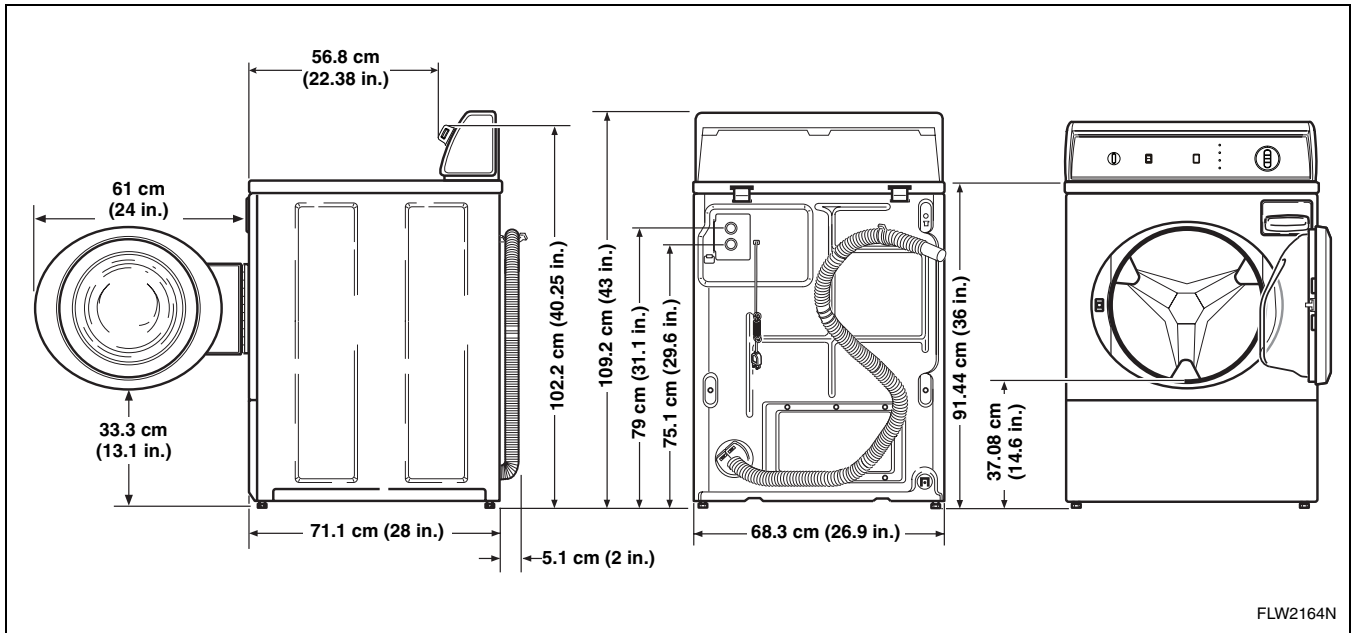
All rights reserved. No part of the contents of this book may be reproduced or transmitted in any form or by any means without the expressed written consent of the publisher.

Replacement Parts

If replacement parts are required, contact the source from which you purchased your washer.

Installation

Dimensions and Specifications



Installation

Before You Start

Tools

For most installations, the basic tools you will need are:

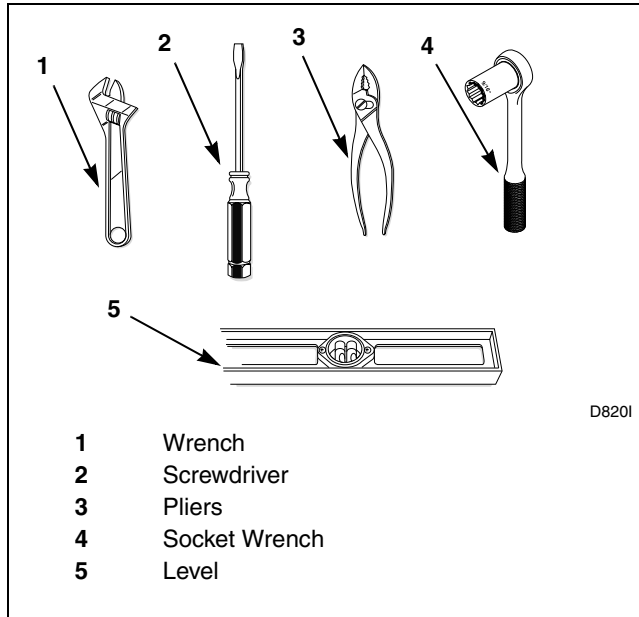


Figure 1

Electrical

Refer to serial plate for specific electrical requirements. For more detailed information, refer to section on **Electrical Requirements**.

Water

Washer needs two standard 19,1 mm (3/4 in.) water supply faucets with a pressure between 138 and 827 kPa (20 to 120 pounds per square inch). For more detailed information, refer to section on **Water Supply Requirements**.

Accessories Bag

An accessories bag has been shipped inside your washer. It includes:

- Two fill hoses with washers and filter screens. Refer to step 2 of **Installation**.
- Four rubber feet. Refer to step 4 of **Installation**.
- Beaded tie-down strap. Refer to step 3 of **Installation**.
- Installation instructions.
- Use and Care Guide.
- Warranty bond.

Installing the Washer

NOTE: If the washer is delivered on a cold day (below freezing), or is stored in an unheated room or area during the cold months, do not attempt to operate it until the washer has had a chance to warm up.

Step 1: Position Washer Near Installation Area

IMPORTANT: Install dryer before washer. This allows room for attaching exhaust duct.

Move washer so that it is within 1,2 meters (4 feet) of desired area of installation.

NOTE: For best performance and to minimize vibration or movement, install washer on a solid, sturdy and level floor. Some floors may need to be reinforced, especially on a second floor or over a basement. Do not install the washer on carpeting, soft tile, a platform or other weakly supported structures.



D7721

Figure 2

Step 2: Connect Fill Hoses

NOTE: Refer to section on *Water Supply Requirements* before connecting fill hoses.

The appliance is to be connected to the water mains using new hose-sets, and old hose-sets should not be reused.

Turn on the water supply faucets and flush the lines for approximately two minutes to remove any foreign materials that could clog the filter screens in the fill hoses, or the screens in the water mixing valve.

NOTE: When installing in newly constructed or renovated building, it is very important to flush the lines since build-up may have occurred during construction.

Remove the two filter screens and the two plain rubber washers from accessories bag, and install them according to *Figure 3*.

IMPORTANT: Thread hose couplings onto valve connections finger-tight, then approximately 1/4 turn with pliers. **DO NOT** cross thread or overtighten couplings.

Turn water on and check for leaks. If leaks are found, retighten the hose couplings. Continue tightening and rechecking until no leaks are found.

IMPORTANT: Hoses and other natural rubber parts deteriorate after extended use. Hoses may develop cracks, blisters or material wear from the temperature and constant high pressure they are subjected to.

All hoses should be checked on a yearly basis for any visible signs of deterioration. Any hose showing the signs of deterioration listed above should be replaced immediately.

Installation

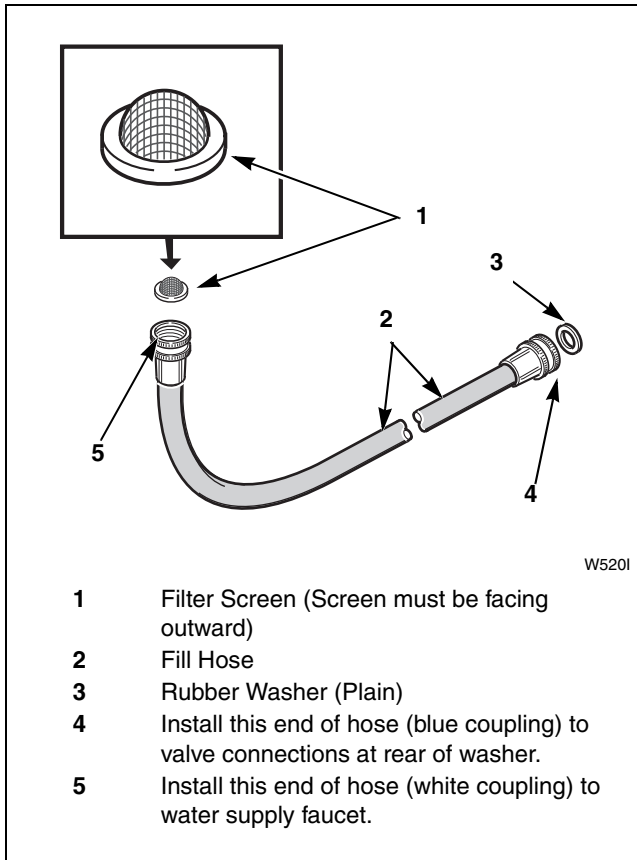


Figure 3

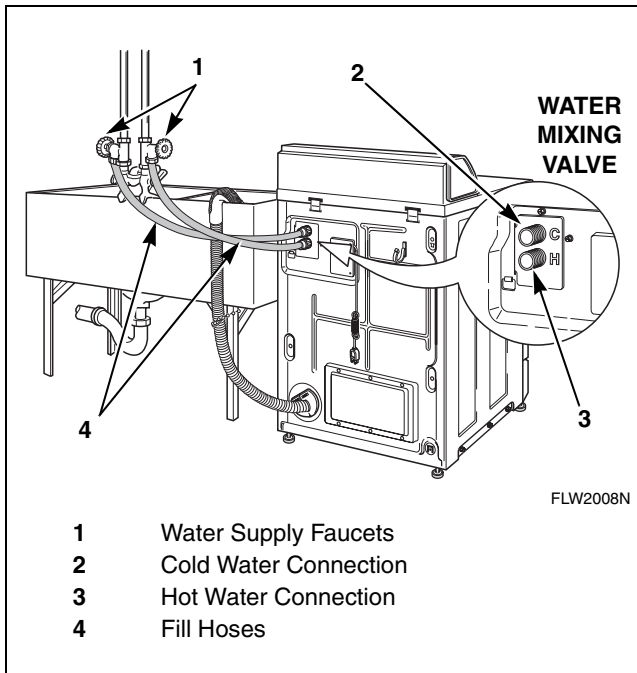


Figure 4

Step 3: Connect Drain Hose to Drain Receptacle

Remove the drain hose from its shipping position on the rear of the washer by unhooking the hose from the retainer clamp and by removing shipping tape.

Find the instructions, on the following pages, that are appropriate for your type of drain receptacle (standpipe, sink, wall, or laundry tub). Follow these instructions to properly install the drain hose.

IMPORTANT: Drain receptacle must be capable of handling a minimum of 3.2 cm (1-1/4 inch) outside diameter drain hose.

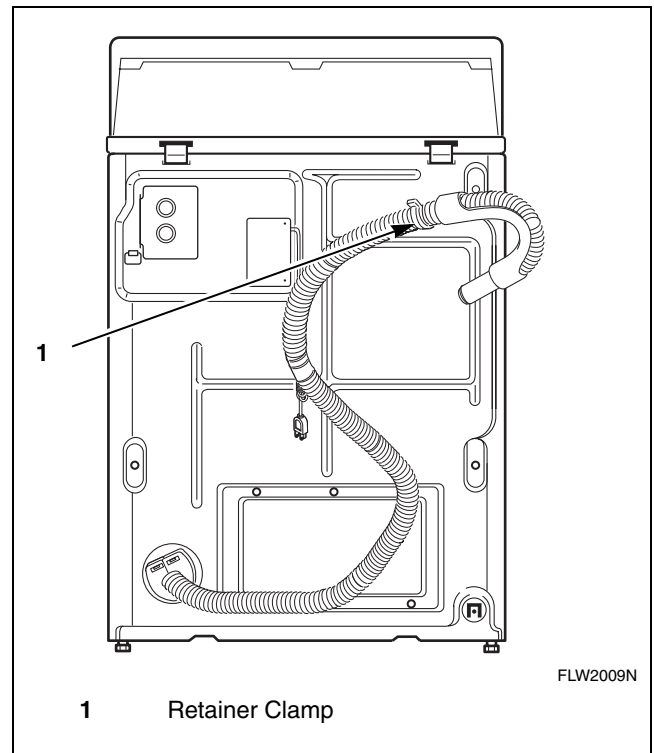


Figure 5

Standpipe Installation

Place the drain hose into the standpipe.

Remove the beaded tie-down strap from accessories bag and place around standpipe and drain hose and tighten strap to hold hose to standpipe. This will prevent the drain hose from dislodging from drain receptacle during use.

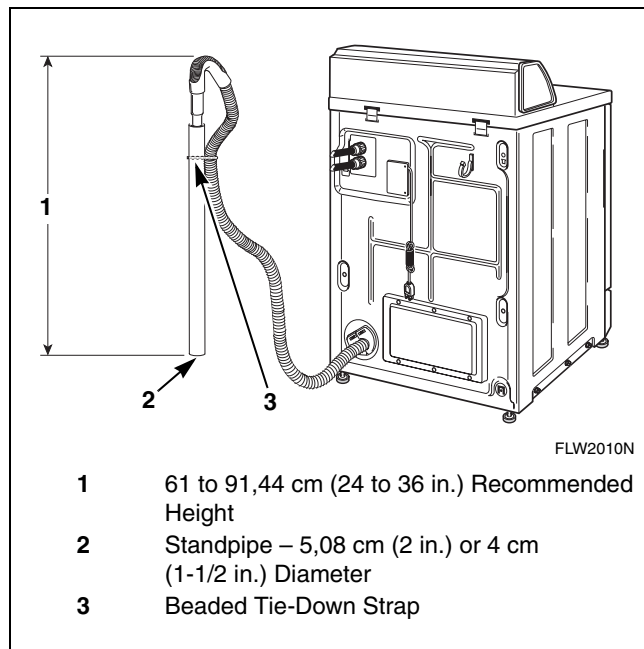


Figure 6

Sink Installation

For this type of installation, use the beaded tie-down strap (supplied in accessories bag) or use a large wire tie (available from your local hardware store), and secure the drain hose to the cabinet top hinge (refer to *Figure 7*). This will prevent the drain hose from dislodging during use.

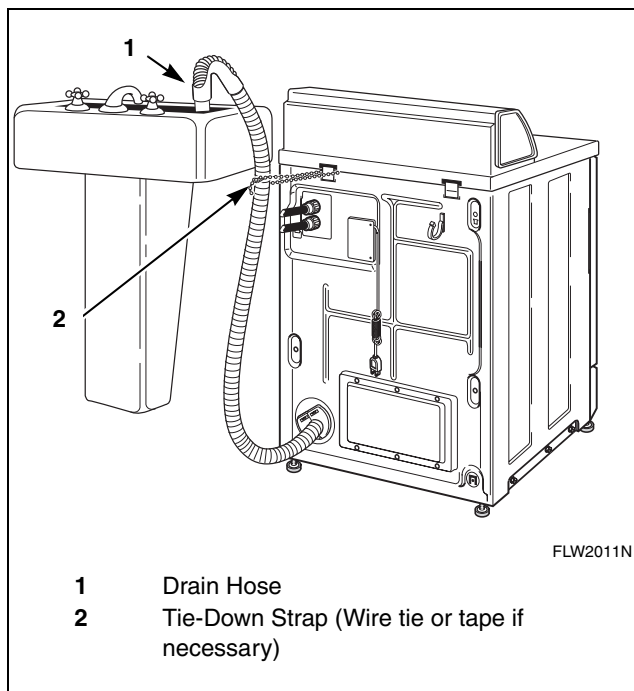


Figure 7

Installation

In-the-Wall Installation

For installations of this type, the drain hose **MUST** be secured to one of the fill hoses using the beaded tie-down strap from accessories bag.

NOTE: End of drain hose must not be below 61 cm (24 in.).

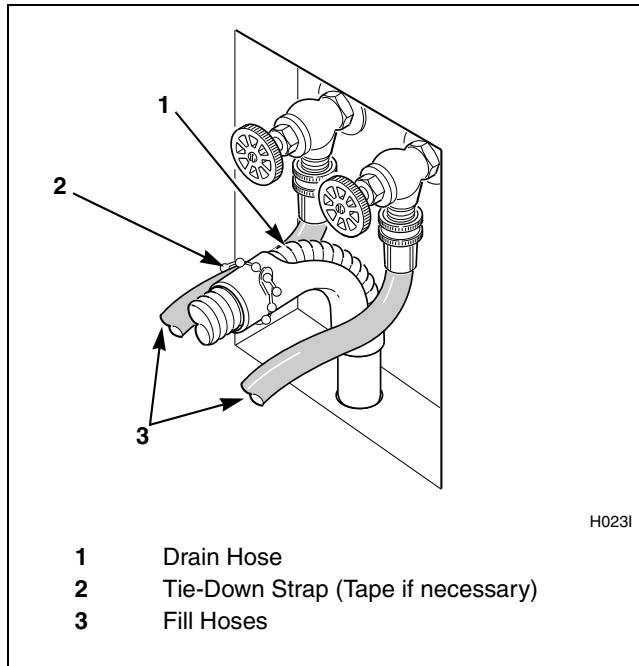


Figure 8

Laundry Tub Installation

For this type of installation, the drain hose **MUST** be secured to the stationary tub to prevent hose from dislodging during use. Use the beaded tie-down strap (supplied in accessories bag) to secure hose.

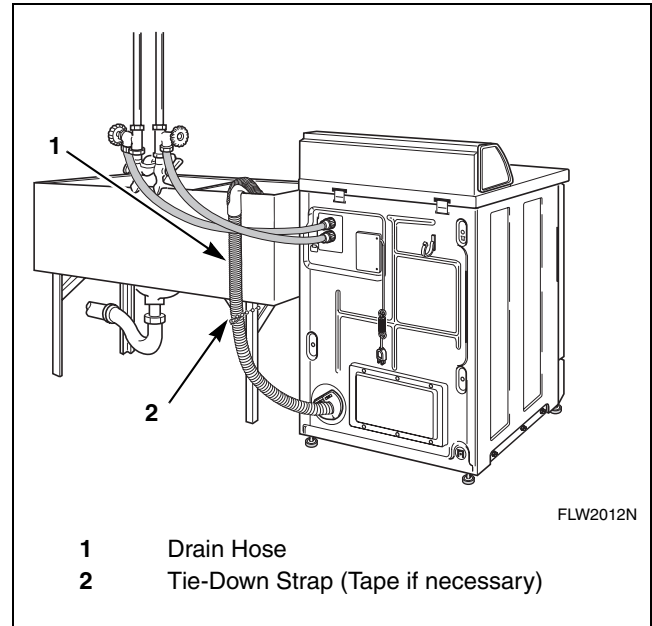



Figure 9

Step 4: Position and Level the Washer

	<h2>WARNING</h2>
<p>Washers elevated above floor level must be anchored to that elevated surface, base or platform. The material used to elevate the washer should also be anchored to the floor to ensure that the washer will not walk or that the washer can not be physically pulled, tipped or slid from its installed position. Failure to do so may result in conditions which can produce serious injury, death and/or property damage.</p>	
<small>W306</small>	

Place washer in position on a solid, sturdy and level floor. Installing the washer on any type of carpeting, soft tile, a platform or other weakly supported structures is not recommended.

For easier access to leveling legs, prop up washer with a wooden block. Refer to *Figure 10*.

Loosen 7/8 inch locknut and adjust the front and rear leveling legs until the washer is level from side to side and front to back (using a level). Washer should not rock.

NOTE: Level must rest on raised portion of top panel. Refer to *Figure 10*.

Tighten the locknuts securely against the washer base using the 7/8 inch wrench. If the locknuts are not tight, washer will move out of position during operation.

NOTE: DO NOT slide washer across floor if the leveling legs have been extended, as legs and base could become damaged.

NOTE: Use of the dispenser drawer or washer door as a handle in the transportation of the washer may cause damage to the dispenser or door.

Remove rubber feet from accessories bag and place on all four leveling legs.

Verify that washer does not rock.

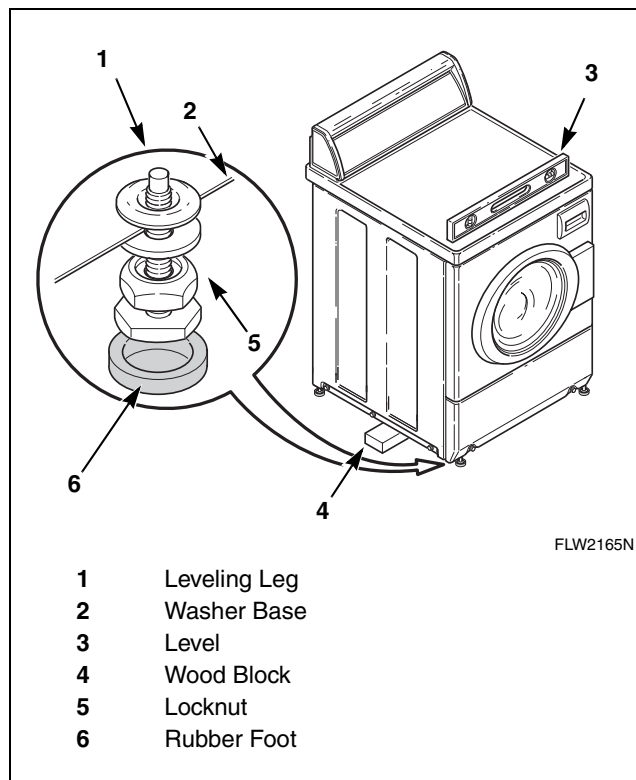


Figure 10

Installation

Step 5: Remove the Shock Sleeves and Shipping Brace

IMPORTANT: The shock sleeves and shipping brace MUST be removed from the washer before operation.

Remove front access panel by removing the two screws.

Remove bolts and lockwashers from shipping brace with 9/16 inch wrench and remove brace. Remove shock sleeves by pulling on the yellow rope.

Remove label from front side of front access panel and place on backside of front access panel.

IMPORTANT: The shipping brace, bolts, lockwashers and shock sleeves should be saved and MUST be reinstalled whenever the unit is moved more than four feet. Do not lift or transport unit from front or without shipping materials installed.

Store the shipping materials in the bag provided in the accessories bag. Save materials for use whenever the unit is moved.

IMPORTANT: The shipping materials MUST be reinstalled whenever the unit is moved. Refer to *Moving Unit to a New Location* section for proper instructions on reinstalling the shipping materials.

Reinstall front access panel.

IMPORTANT: DO NOT tip washer more than 152,4 mm (6 inches) in any direction after shipping brace has been removed. Shock absorbers may separate and damage to washer may result. For leveling purposes, the washer may be tilted a maximum of 152,4 mm (6 inches) in any direction.

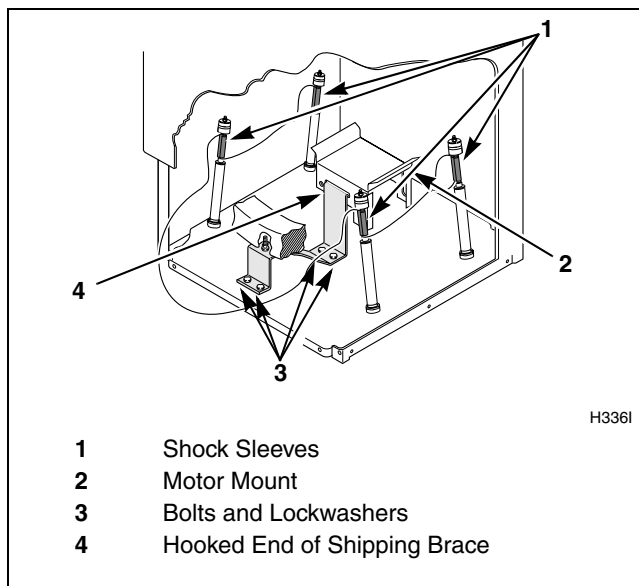


Figure 11

Step 6: Wipe Out Inside of Washer Drum

Before using the washer for the first time, use an all-purpose cleaner, or a detergent and water solution, and a damp cloth to remove shipping dust from inside the drum.

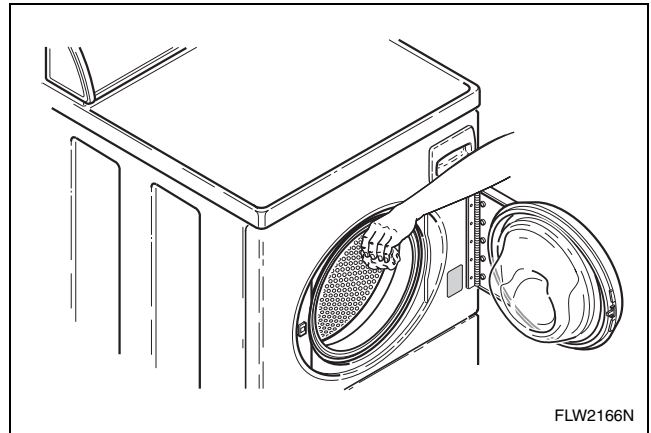


Figure 12

Step 7: Plug In the Washer

Refer to section on *Electrical Requirements* and plug washer in.

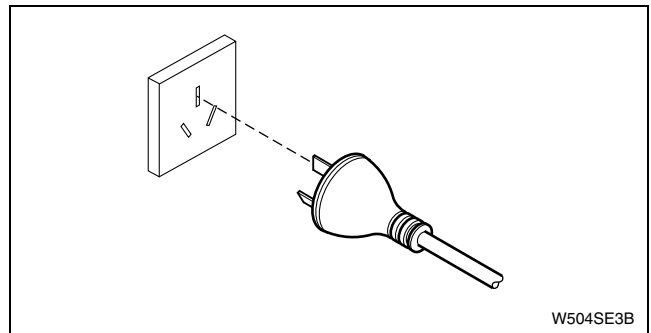


Figure 13

Step 8: Check Installation

Refer to *Installer Checklist* on the back cover and make sure that unit is installed correctly.

Moving Unit to a New Location

To prevent damage while moving the unit, the shipping materials **MUST BE** reinstalled.

Reinstallation of Shipping Materials

Disconnect washer from electrical supply.

Remove front access panel by removing two screws.

Place the shock sleeves on all four shock absorbers. Refer to *Figure 14*.

Insert hooked end of shipping brace into the open slot of the motor mount. Attach with bolts and lockwashers. Refer to *Figure 14*.

Reinstall front access panel.

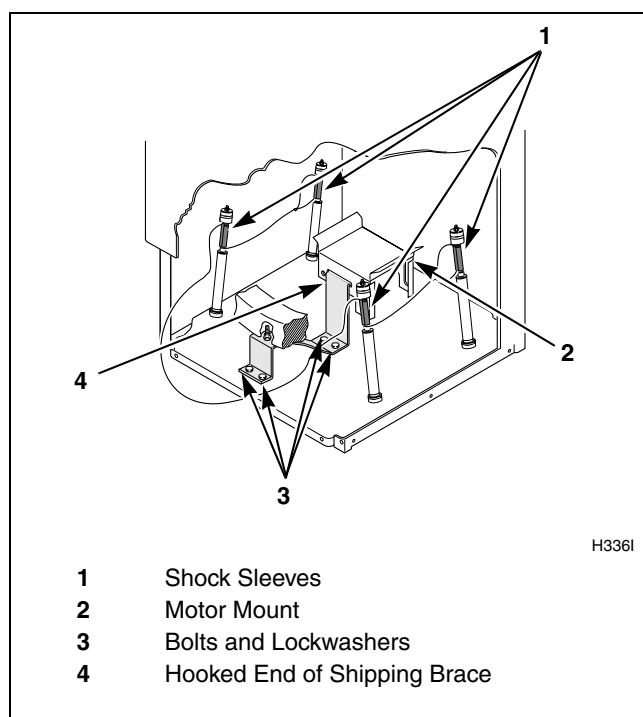


Figure 14

Refer to step 5 for proper procedures whenever the unit is moved.

Electrical Requirements

(240 Volt, 50 Hertz with 3-Prong Earthing Plug)

NOTE: The wiring diagram is located in the control hood.

	WARNING
<p>To reduce the risk of fire, electric shock, serious injury or death, all wiring and earthing MUST abide with local electrical codes. It is the customer's responsibility to have the wiring and fuses checked by a qualified electrician to make sure the laundry room has adequate electrical power to operate the washer.</p>	
W246	


<p>DO NOT OVERLOAD CIRCUITS</p> <p>DO NOT USE AN ADAPTER</p> <p>DO NOT USE AN EXTENSION CORD</p>	
D0091	

Figure 15

The washer is designed to be operated on a separate branch, polarized, three-wire, effectively earthed, 240 Volt, 50 Hertz, AC (alternating current) circuit protected by a **10 Ampere fuse**, equivalent fusetrone or circuit breaker.


The three-prong earthing plug on the power cord should be plugged directly into a polarized three-slot effectively earthed receptacle rated 240 Volts AC (alternating current) 10 Amps. Refer to *Figure 16* to determine correct polarity of the wall receptacle.

Installation

	WARNING
<p>To reduce the risk of an electric shock or fire, DO NOT use an extension cord or an adapter to connect the washer to the electric power source.</p>	
<small>W082</small>	


Earthing Instructions

The washer must be earthed. In the event of malfunction or breakdown, earthing will reduce the risk of electric shock by providing a path of least resistance for electric current. The washer is equipped with a cord having an equipment-earthing conductor and a 3-prong earthing plug. The plug must be plugged into an appropriate outlet that is properly installed and earthed in accordance with all local codes and ordinances.

	WARNING
<p>Improper connection of the equipment-earthing conductor can result in a risk of electric shock. Check with a qualified electrician or service person if you are in doubt as to whether the washer is properly earthed.</p>	
<small>W032</small>	

DO NOT modify the plug provided with the washer – if it will not fit the outlet, have a proper outlet installed by a qualified electrician.

NOTE: Have a qualified electrician check the polarity of the wall receptacle. If a voltage reading is measured other than that illustrated, the qualified electrician should correct the problem.

	WARNING
<p>This unit is equipped with a three-prong (earthing) plug for your protection against shock hazard and should be plugged directly into a properly earthed three-prong receptacle. Do not cut or remove the earthing prong from this plug.</p>	
<small>W477</small>	

If the supply cord is damaged, it must be replaced by a special cord or assembly available from the manufacturer or its service agent.

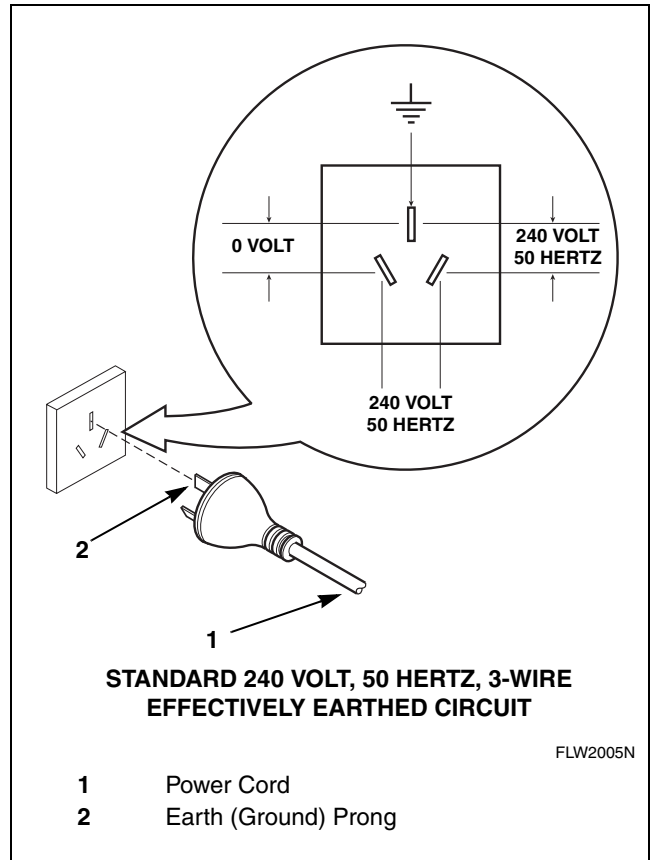



Figure 16

DO NOT OPERATE OTHER APPLIANCES ON THE SAME CIRCUIT. DO NOT OVERLOAD CIRCUITS!

Do not operate both a washer and gas dryer on the same circuit. Use separately fused 10 Amp circuits.

Water Supply Requirements

	WARNING
<p>Under certain conditions, hydrogen gas may be produced in a hot water system that has not been used for two weeks or more. HYDROGEN GAS IS EXPLOSIVE. If the hot water system has not been used for such a period and before using the washer, turn on all hot water faucets and let the water flow from each for several minutes. This will release any accumulated hydrogen gas. The gas is flammable. Do not smoke or use an open flame during this time.</p>	
W029	

NOTE: Water supply faucets must fit standard 3/4-14 BSP metric female couplings. **DO NOT USE SLIP-ON OR CLAMP-ON CONNECTIONS.**

NOTE: Water supply faucets should be readily accessible to permit turning them off when washer is not being used.

Water Temperature

Cold:

Recommended cold water temperature is 16° to 27° Celsius (60° to 80° Fahrenheit).

Hot:

Recommended hot water temperature is 49° to 60° Celsius (120° to 140° Fahrenheit).

Warm:

Mixture of hot and cold water. (Warm water temperature is dependent upon the water temperature and the pressure of both the hot and cold water supply lines.)

IMPORTANT: Turn off water supply faucets after check-out and demonstration. Owner should turn off water supply whenever there will be an extended period of non-use.

NOTE: A longer fill hose is available (as optional equipment at extra cost) if the hose (supplied with the washer) is not long enough for the installation. Order hose as follows:

Part Number 1010102 – 2,5 m Fill Hose

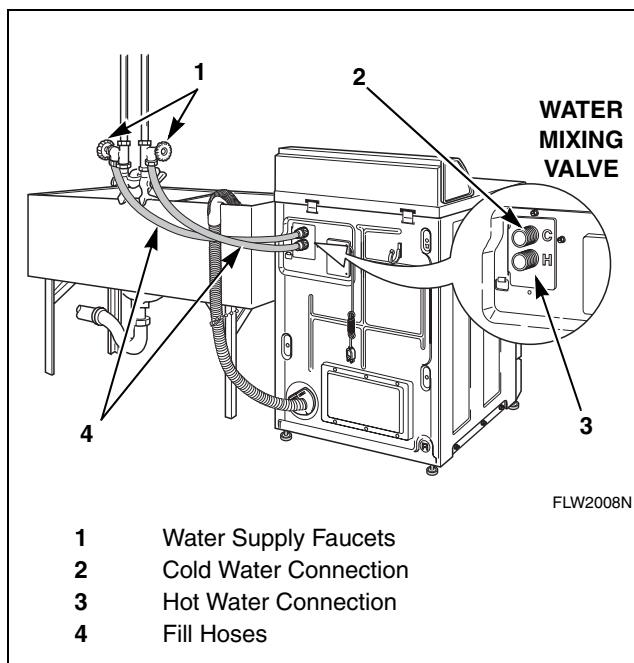


Figure 17

Water Pressure

Pressure must be a minimum of 138 to a maximum of 827 kPa (20 to 120 pounds per square inch) static pressure measured at the faucet.

NOTE: For water pressure over 827 kPa (120 pounds per square inch) we recommend the installation of a pressure limiting valve.

NOTE: Water pressure under 138 kPa (20 pounds per square inch) will cause an extended fill time in the washer and may not properly flush out the detergent dispenser.

Installation

Risers

Risers (or air cushions) may have to be installed if the pipes knock or pound when flow of water stops. The risers are more efficient when installed as close as possible to the water supply faucets (refer to *Figure 18*).

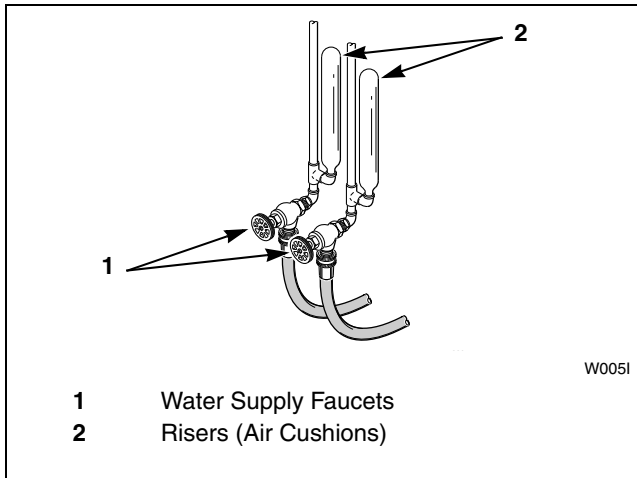


Figure 18

Information for Handy Reference

Date Purchased _____
Model Number _____ Serial Number _____
Store Name _____
Store Address _____ Phone Number _____
Service Agency _____
Service Agency Address _____ Phone Number _____

NOTE: Record the above information and keep your sales slip. Model and serial numbers are located on the nameplate.

**Customer Care Centre and
Information:**


1300 652 100

Installer Checklist

Fast Track for Installing the Washer

(Refer to the manual for more detailed information)

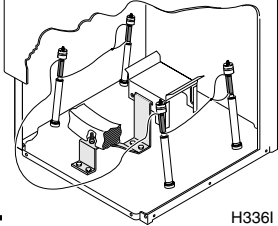
1 • Position Washer Near Installation Area.



CHECK

D772I

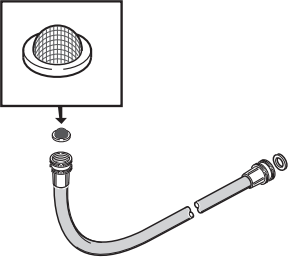
5 • Remove the Shock Sleeves and Shipping Brace.



CHECK

H336I

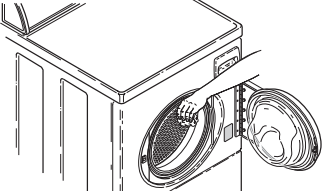
2 • Connect Fill Hoses.



CHECK

W520I

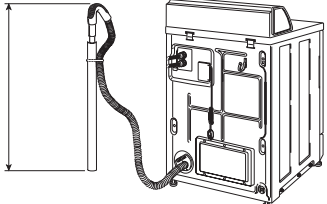
6 • Wipe Out Inside of Washer Drum.



CHECK

FLW2166N

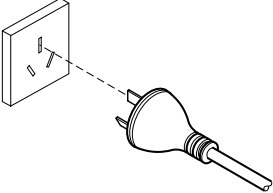
3 • Connect Drain Hose to Drain Receptacle.



CHECK

FLW2010N

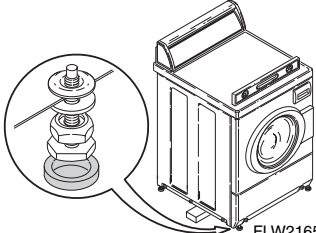
7 • Plug In the Washer.



CHECK

W504SE3B

4 • Position and Level the Washer.



CHECK

FLW2165N