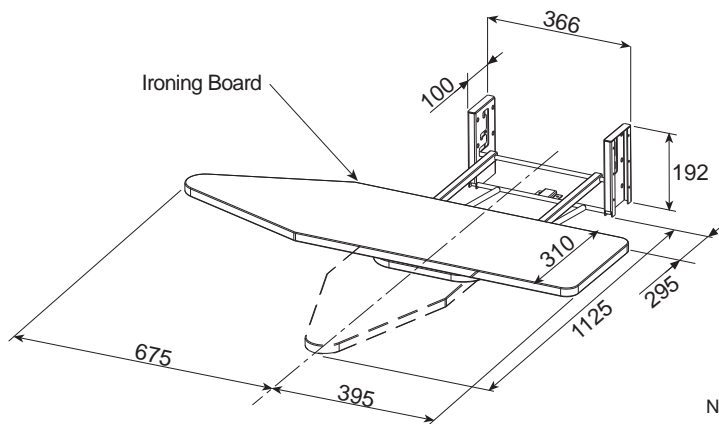
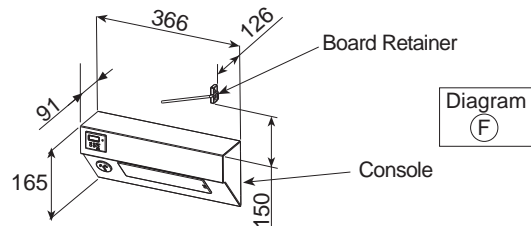


LWK320 Ironing Centre Kit Set

SPECIFICATION DIAGRAM

Model
LWK320

(Dimensions in mm)



- Installation Kit Includes**
- 2 x Board retainer Screws
 - 16 x Ironing Board Screws
 - 3 x Console Screws

Note: Generic model is shown.
Actual product may differ.

PLEASE READ THE ENTIRE INSTRUCTION BEFORE INSTALLING THE LWK320 IRONING CENTRE KIT SET

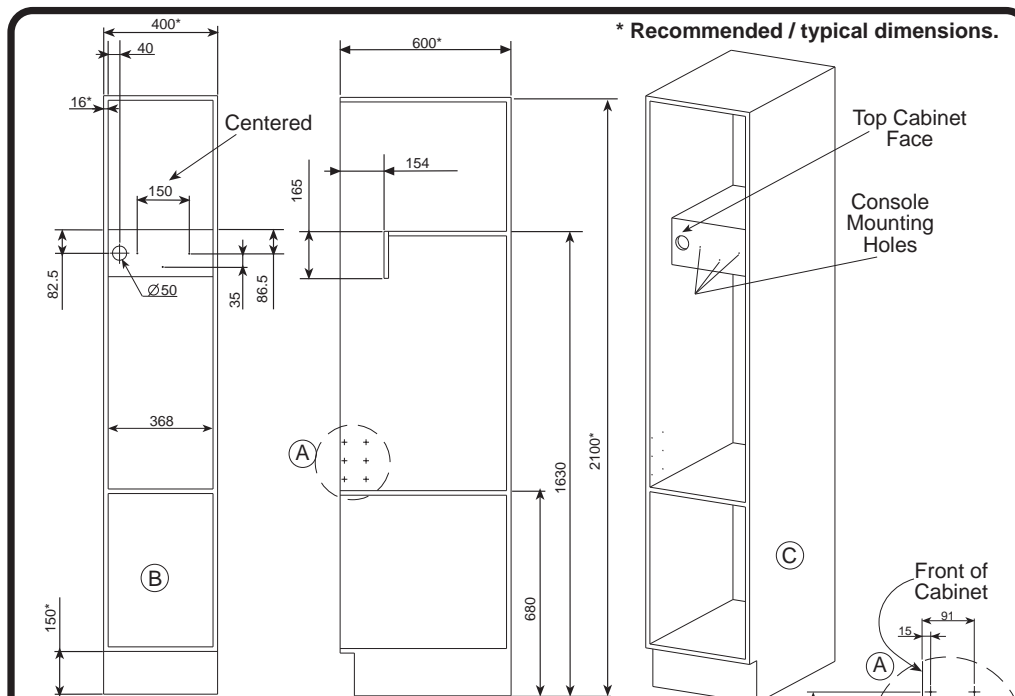
Should you be fitting a door to the enclosure holding this LWK320 Ironing Centre Kit Set, please be mindful of the position of all door furniture (hinges, handles, etc.) Specifically ensure the board will operate without obstruction.

INSTALLATION INSTRUCTION

NOTE: The LWK320 Ironing Centre Kit Set is designed to fit a 400mm wide, (368mm Internal, kitchen / laundry cabinet. Please ensure your cabinet fits the following dimensions as shown on the next page. NOTE: Please take care when predrilling holes not to drill all the way through or damage the cabinet. The screws supplied with all kits are designed for 16mm thick cabinet panels. Different screws may be needed if the cabinet panels are less than 16mm thick.

CONSOLE INSTALLATION

1. Drill the 50mm hole in the top cabinet face for the electrical cable (Diagram C).
If through sheetmetal the 50mm hole needs deburring.
2. Remove diffuser from console using a slim knife or flat bladed screw driver (Diagram D).
3. Remove Lamp (Bayonet Cap).
4. Position the console on the top cabinet face with the diffuser removed. Mark out the 3 mounting hole positions on the cabinet face or alternatively use the dimension provided to pre-drill the 3 mounting holes (Diagram B).
5. Drill out the 3 marked holes for the supplied screws.
6. Feed the electrical cable through the 50mm hole. Position the console with the 3 mounting holes.
Using the supplied screws attach the console to the top cabinet face.
6. Replace lamp.
7. Slide diffuser back into aperture and "click" into place.



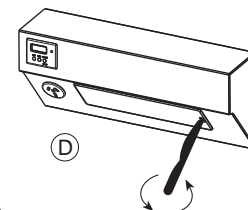
CONNECTING THE CONSOLE TO ELECTRIC POWER

An external ON/Off safety power socket must be installed inside the wall behind the cabinet. Plug the console into the socket. Alternatively the unit can be hard wired directly to an isolation switch by an electrician. The plug or switch must remain accessible after the installation.

BOARD INSTALLATION

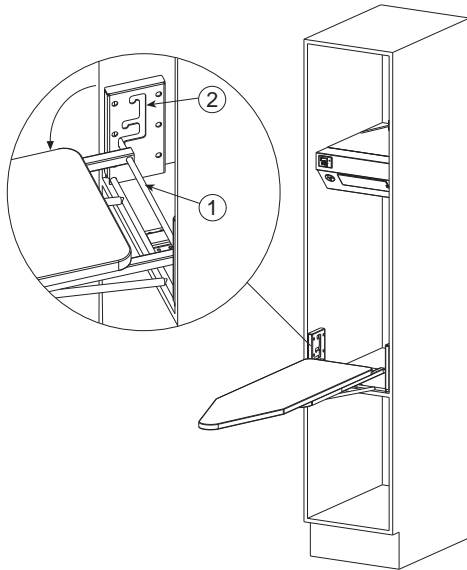
1. Pre-drill holes in the cabinet on both sides $\varnothing 3.0\text{mm}$, for the screws supplied as per diagram 'A'.
2. Attach one (1) height adjustment bracket to the cabinet using the screws supplied.
3. Insert the ironing board pivot rod and pivot stop into the attached bracket. While supporting the ironing board attach the other bracket to both the pivot rod and pivot stop (Diagram E).
4. Move the board into position so the free bracket lines up with the pre-drilled holes and secure using the supplied screws.
5. Position the back stop behind the pivot stop in the middle of the cabinet and mark out hole position. Drill 4 holes, $\varnothing 3.0\text{mm}$, for the screws supplied. Attach the back stop (Diagram E).
6. The board retainer is to be positioned as shown on the first page (Diagram F). Mark out the screw holes and drill $\varnothing 2.5\text{mm}$ for the supplied screws.
7. Attach board retainer.
8. Fit the board cover with the silver/gray coating facing up.

LAMP REPLACEMENT



1. Disconnect LWK320 Ironing Centre Kit Set Console from power supply. (Ensure the power is switched off)
2. Insert small screwdriver or slim knife as shown, ease catch to side and slip out diffuser.
3. Replace lamp (40 watt max.)
4. Slide diffuser back into aperture and "click" into place. (Turn power back on)

OPERATING INSTRUCTION



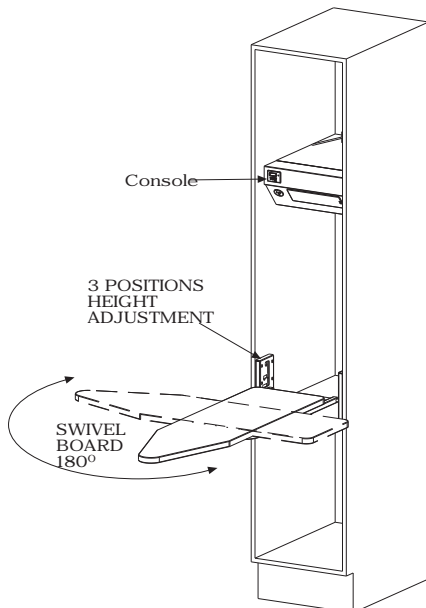
To open the Ironing Board, lift board retainer and lower the board. To store Ironing Board, follow the steps in reverse order.

The Ironing Board has three working heights. To adjust the board:

- ① With the board in the horizontal position hold the board with one hand near the base (NOT BY THE NOSE) and support the pivot rod ① with the other hand.
- ② Adjust the Ironing board to the desired position by lifting the board by the pivot rod (NOT BY THE NOSE) and moving it to the required height.

NOTE: in order to store the Ironing board, it may need to be in the lowest position depending on your cabinet construction.

LWK320 IRONING CENTRE KIT SET FEATURES

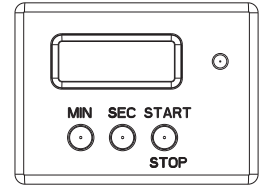


The LWK320 Ironing Centre Kit Set has the following features:

- Integrated cotton coated rayon cover
- Right or left hand
- Round corners board
- Built in 230-240 volt power outlet
- 40 watt light
- Digital auto timer
- 3 level height adjustable
- Board swivels a full 180°

DIGITAL TIMER OPERATING INSTRUCTIONS

1. As the unit is powered up, two series of beeps are given.
2. "00m00s" is displayed.
3. Press "MIN" button once to advance the minute section by 1 or hold down for an incremental increase in minutes.
4. (Optional) Press "SEC" button once to advance the second section by 1 or hold down for an incremental increase in seconds.
5. When there is a change in settings a beep is given.
6. To start or stop the timer anytime press the "START/STOP" button.
7. When the timer is counting down the red LED is on.
8. When the timer reaches zero, power to the 3 pin socket and light is disconnected and a series of beeps will sound. The timer will then revert to the original settings. Press any key to stop the beep sound.
9. To reset the timer to zero press the "MIN" and "SEC" buttons simultaneously.



MAINTENANCE

YOUR LWK320 IRONING CENTRE KIT SET BOARD IS NOW FITTED WITH A HEAT RESISTANT COVER.

TO AVOID DAMAGE TO THE MATERIAL

PLEASE DO NOT WASH THE COVER

The laminated surface of the unit may be wiped clean with non abrasive household cleaner.

WARNING

- 1) Do not place **EXCESSIVE WEIGHT** (weight should not exceed **15kg**) on the Ironing Board when opened as it is designed to accept normal ironing use only.
- 2) Iron not to exceed 2360 Watt.
- 3) Allow iron to cool down before storing in the cabinet.
- 4) Empty water reservoir and turn off steam action prior to storing iron.
- 5) Turn power off when not in use.
- 6) Do not remove the board retainer.
- 7) The appliance is not intended for use by young children or infirm persons without supervision.
- 8) Young children shall be supervised to ensure that they do not play with the appliance.
- 9) The appliance is supplied with an approved power cable which must not be changed. If the supplied cord of this equipment is damaged, it must only be replaced by the manufacturer, its service agent or similarly qualified person in order to avoid hazard.
- 10) Upon installation, ensure that the socket outlet or ON/OFF switch remains easily accessible after installation.

MANUFACTURED FOR:

Kleenmaid

BY:

ROBINHOOD LIMITED
6 ZELANIAN DRIVE, EAST TAMAKI
AUCKLAND, NEW ZEALAND
ISO9001 Certified