

User instructions

- 1) periodically clean the aerator filter;
- 2) install filter valves under the sink and periodically clean the filters;
- 3) DO NOT USE DETERGENTS, SOLVENTS, CHEMICAL AGENTS, ABRASIVE SPONGES, WIRE WOOL OR ALCOHOL, ETC., which would irreparably damage the surface of the product and ruin its appearance, sheen and matt finishes;
- 4) CLEAN WITH SOAPY WATER AND DRY WITH A SOFT CLOTH;
- 5) dry the product after use if the water is very hard or aggressive, as it may leave deposits which would damage the surface;
- 6) do not install the tap when the water pressure exceeds 5 bar (in this case, an adapter is required);
- 7) Rinse the water pipes before installing the tap.

 Kleenmaid



MT 301



MT 401

SURNAME _____ NAME _____

ADRESS _____

MODEL _____

DATE _____

 Kleenmaid

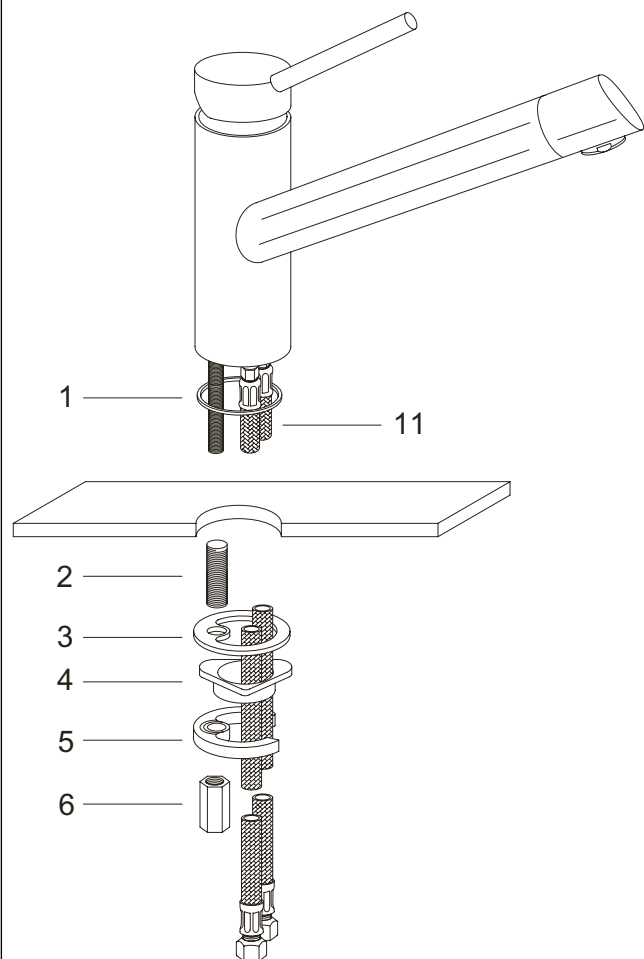
info@kleenmaid.com

REV. 11/2007

Using instructions

Apparecchio conforme alle direttive CEE

MT 301



MT301 Mounting and plumbing connection

- Turn off water supply
- Drill 35 mm. hole in bench top or stainless steel sink
- Place rubber seal item 1 into the recess of the bottom of the tap body or collar if applicable
- Screw inlet hoses item 11 into body of tap ensuring hot and cold hoses are inserted into the correct ports
- Place the hoses thru the hold in the bench top of the sink and position the tap
- Place item 3 (rubber seal) over the mounting bolt and 2 against the underside of bench or sink
- Place plastic supporting collar item 4 over the mounting bolt 2 and against the underside of bench or sink (note flat triangle side of plastic collar should be against the bench or sink)
- Place metal mounting bracket item 5 over mounting bolt 2 and screw on securing nut item 6 and tighten metal bracket against the underside of bench or sink
- Position tap and securely tighten fixing nut
- Connect inlet hoses item 11, ensuring the sealing washers are in place to the correct hot and cold water taps
- Turn on water supply
- Check tap for operation and test for leaks.

MT401 Mounting and plumbing connection

- Turn off water supply
- Feed nylon hose thru the body of the tap (from top to bottom)
- Connect shower head to nylon hose with the rubber seal supplied and tighten
- Drill 35 mm. hole in bench top or stainless steel sink
- Place rubber seal item 1 into the recess of the bottom of the tap body or collar if applicable
- Place the hoses thru the hold in the bench top of the sink and position the tap
- Place item 3 (rubber seal) over the mounting bolt 2 and against the underside of bench or sink
- Place plastic supporting collar item 4 over the mounting 2 bolt and against the underside of bench or sink (note flat triangle side of plastic collar should be against the bench or sink)
- Place metal mounting bracket item 5 over mounting bolt 2 and screw on securing nut item 6 and tighten metal bracket against the underside of bench or sink
- Install non-return valve item 7 to the inlet which is located on the tap mounting bolt (ensure rubber and fibre washer are inserted into the non-return valve)
- Connect nylon hose to non return valve using rubber seal provided and tighten
- Position tap and securely tighten fixing nut
- Attach counterweight item 9 to the nylon hose 8 using screw item 10 in such a way that it provides downward pressure to allow easy retraction of the pull out shower head. Note: the counterweight should not touch the bottom of the cabinet until the hose is fully retracted.
- Connect inlet hoses item 11, ensuring the sealing washers are in place to the correct hot and cold water taps
- Turn on water supply
- Check tap for operation and test for leaks.

MT 401

