

# Shower Head Mixer Tap



Our new range of sculptural taps are designed and manufactured in Italy and are finished in sparkling chrome for beautiful aesthetics. Our patented ceramic tap cartridge is tested for a lifetime of drip free use and our taps are constructed using solid DZR brass for durability. Their modern ergonomic styling combined with effortless operation create a desirable tap range to suit any kitchen.

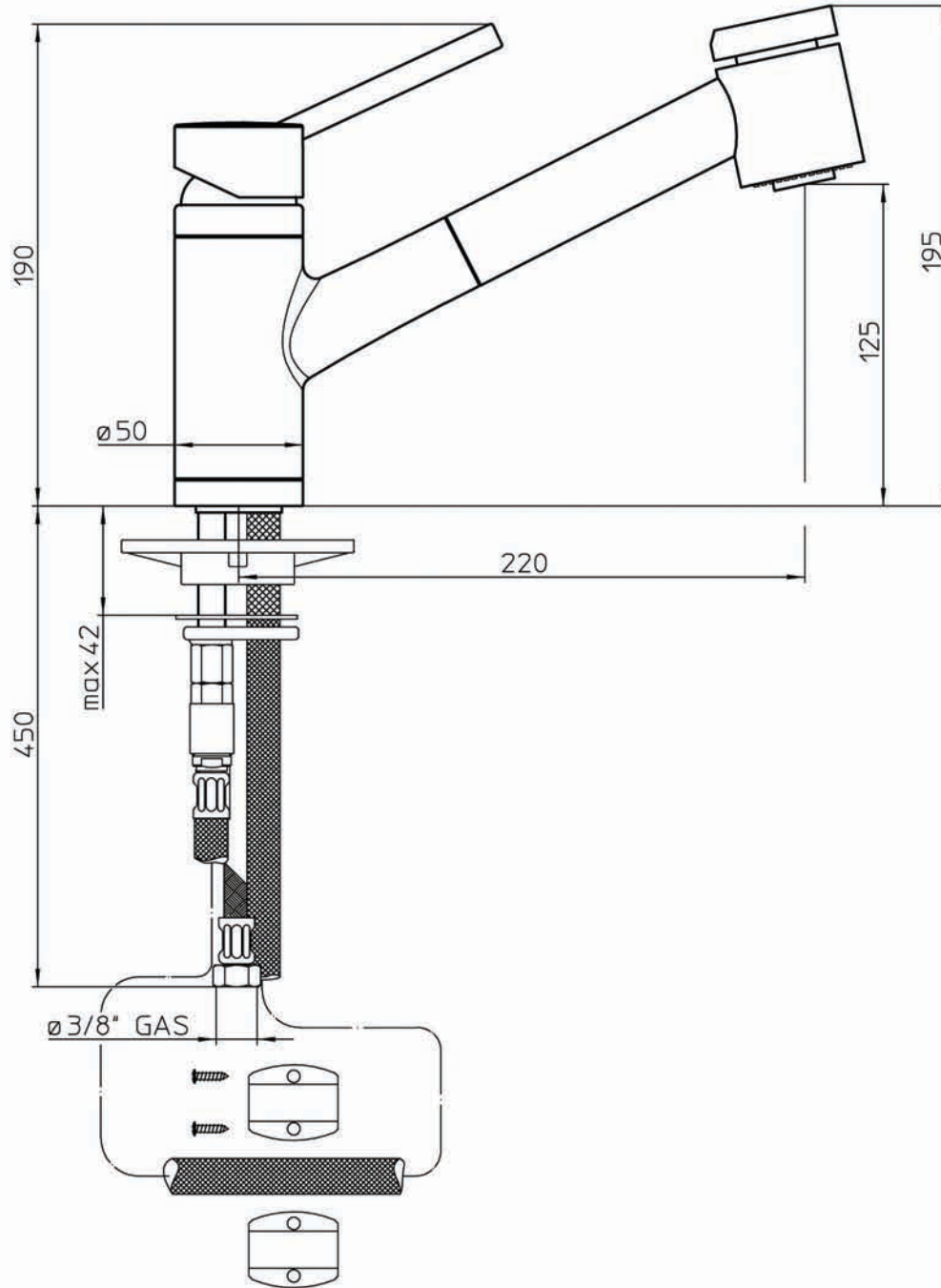
Finish:	Chrome
Cutout size	35mm
WELS rating:	4 star (7 litre p/min)
Tap Cartridge:	Patented ceramic cartridge
Mounting:	Sink or benchtop
Retractable Hose:	extends up to 600mm+
Construction:	DZR Brass

\*Technical Specifications and product sizes can be varied by Manufacturer without notice. Any cut-outs for appliances should only be by physical measurements. Drawings are not to scale. All information supplied is for general reference purposes only and is on the understanding that Kleenmaid Pty Ltd will not be liable for any loss, liability or damage whatsoever arising as a result of reliance of such information.

Please call 02 9375 2390  
[www.kleenmaid-appliances.com.au](http://www.kleenmaid-appliances.com.au)

 **Kleenmaid**  
 The best you can own.

# Shower Head Mixer Tap



\*Technical Specifications and product sizes can be varied by Manufacturer without notice. Any cut-outs for appliances should only be by physical measurements. Drawings are not to scale. All information supplied is for general reference purposes only and is on the understanding that Kleenmaid Pty Ltd will not be liable for any loss, liability or damage whatsoever arising as a result of reliance of such information.

Please call 02 9375 2390  
[www.kleenmaid-appliances.com.au](http://www.kleenmaid-appliances.com.au)

**Kleenmaid**  
 The best you can own.