

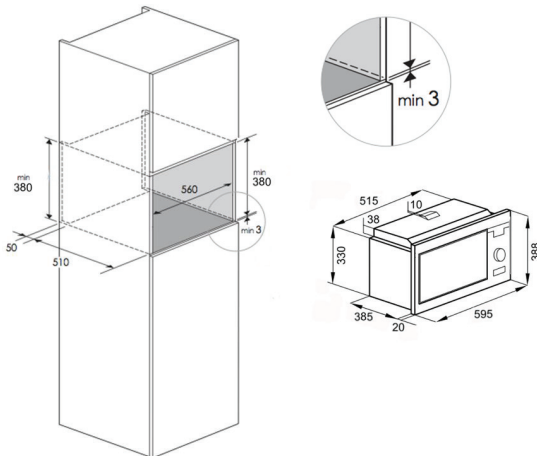
# Built in Microwave Quartz Grill Oven 25 Litre



## Model: MWG4512

- ESCT Electronic Sensor Touch Controls
- Electronic opening door
- Stainless steel finish 25 litre capacity
- Easy to clean **quartz** grill
- 8 pre-set cooking programmes
- Automatic multi-stage cooking
- 5 microwave power settings max of 900W
- 1,000W grill power
- Microwave Quick-Start function
- 2 defrost functions, time/weight
- 2 microwave/grill combi functions
- Child safety lock on controls

NOTE: AS THIS MICROWAVE IS A BUILT IN MODEL  
NO TRIM KIT IS REQUIRED



Lighting



Child Safety Lock



Full Grill



Automatic Cooking  
Programmes



Defrost by  
weight



Defrost by  
time



QUALITY ASSURED

J10956\_01