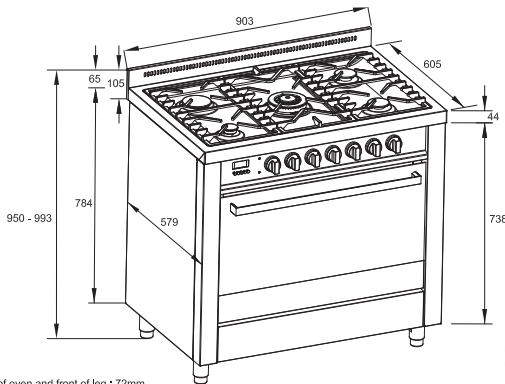


# Freestanding Dual Fuel Oven XXL 109 Litre



## Model: OFS9020

- Dual fuel, multifunction oven + 5 gas burners with 3.5kW wok
- Stainless steel construction
- 10 functions + dual point lighting
- Electronic timer and clock
- Cast Iron pan supports + under knob auto ignition
- Plate warmer/storage compartment
- Safety Cool door, 3 sheets of glass + flame Safe protection
- Tangential cooling fan
- 2 wire racks
- Baking tray with wire insert
- Baking tray handle
- LPG conversion kit
- 2 telescopic shelves



Telescopic legs :  
Height min 101mm  
max 144mm  
Diameter : 51mm

Setback - Distance between front of oven and front of leg : 72mm

Total depth of the unit when oven door is open : 1012mm

**Note : All dimensions in mm**  
Dimensions tolerance : +/- 2mm



Flame Safe



Traditional cooking:  
upper and lower  
heating elements  
Pizza and Bread



Pastry:  
lower heating element



Fan assisted upper  
heating element



Lighting



Fan assisted lower  
heating element



Defrosting: fan



Baking: fan forced



Gratin:  
ventilated grill



Browning:  
upper heating element



Full Grill



QUALITY ASSURED

J10956\_01