

K-Touch Hydrolytic Cleaning[®] – XL 75 Litre



Model: OMFH6010

- 22 cooking functions
- 25 auto cooking programmes
- Eco residual heat function
- Auto Boost 150° in 4 mins
- Auto pause and resume
- Drop down grill
- Meat Probe and Rotisserie
- 1 Ultra gourmet baking tray and roasting tray
- 2 multi adjustable telescopic guides
- 1 metal grill



Enamel



Hydrolytic Cleaning



Traditional cooking: upper and lower heating elements
Pizza and Bread



Pastry: lower heating element



Lighting



Fan forced lower heating element



Baking: fan forced



Full Grill



Browning: upper heating element



Intensive cooking: upper + lower heating elements + fan



Defrosting: fan



Double Grill



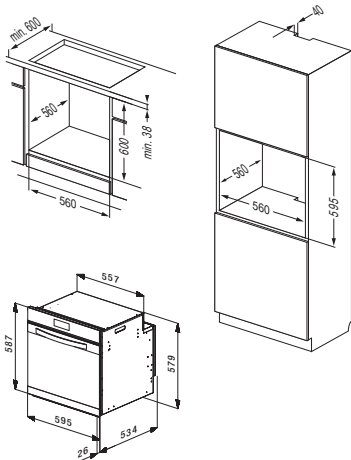
Slow Cooking
Food Warming



Gratin: ventilated grill



Meat Probe



Eco Residual Heat Function



Auto Boost



Auto Pause/Resume



Ultra Gourmet Trays



Automatic Cooking Programmes



Thermal Reflective Glass



Rotisserie



Turbo Rotisserie



QUALITY ASSURED

J110956_01