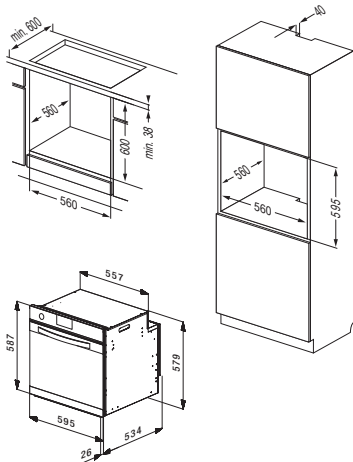


K-Touch Hydrolytic Cleaning[®] – XL 75 Litre



Model: OMFHS6010

- Convection & Steam oven
- 20 cooking functions
- 24 auto cooking programmes
- 10 auto steam programmes
- Eco residual heat function and Meat Probe
- Auto Boost 150° in 4 mins
- Auto pause and resume
- 1 Ultra gourmet baking tray
- 2 Stainless Steel Steaming trays
- 2 multi adjustable telescopic guides
- 1 metal grill



Enamel



Hydrolytic Cleaning



Traditional cooking:
upper and lower heating elements
Pizza and Bread



Pastry:
lower heating element



Lighting



Fan forced lower heating element



Baking: fan forced



Full Grill



Browning:
upper heating element



Intensive cooking:
upper + lower heating elements + fan



Defrosting: fan



Double Grill



Slow Cooking
Food Warming



Gratin:
ventilated grill



Meat Probe



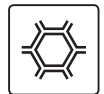
Eco Residual Heat Function



Auto Boost



Auto Pause/Resume



Ultra Gourmet Trays



Automatic Cooking Programmes



Static Steam Cooking



Plus Steam



Thermal Reflective Glass



QUALITY ASSURED

J10956_01