

Bottom Mount Fridges



Convenient eye level fresh food storage combined with contoured doors and sculptural handles to reflect the latest in refrigeration design trends.

Energy rating:	3.5 stars (693kWh per year)
Capacities:	640 L (Total) 428 L (Fridge) 212 L (Freezer)
Upfront Electronic controls:	Upfront electronic controls
Operating Noise level:	47DbA
Temperature management:	ClimateKeeper system
Construction:	Contoured bevelled doors with hidden hinges
Colour:	Stainless steel
Dimensions:	1769mm (H) 912mm (W) 607mm - counter depth (D)

*Technical Specifications and product sizes can be varied by Manufacturer without notice. Any cut-outs for appliances should only be by physical measurements. Drawings are not to scale. All information supplied is for general reference purposes only and is on the understanding that Kleenmaid Pty Ltd will not be liable for any loss, liability or damage whatsoever arising as a result of reliance of such information.

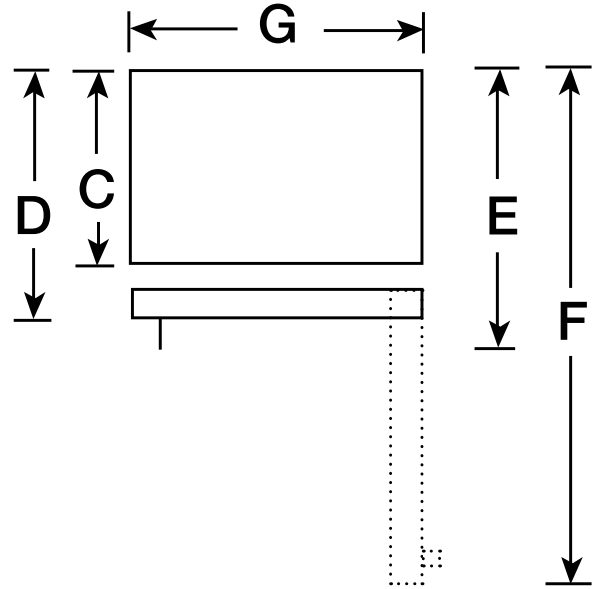
Bottom Mount Fridges

The following information is only a brief outline of installation considerations pre-delivery. Detailed installation instructions are provided with appliance and should be followed carefully. This document is for illustration purposes only and is not intended to replace the full installation procedures.

FRONT VIEW



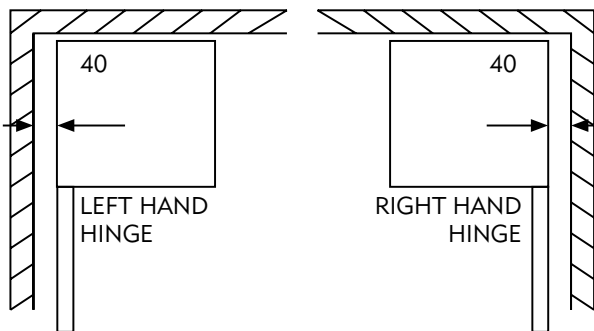
PLAN VIEW



The minimum clearance behind the refrigerator is 13mm. This allows for the water pipe to connect to the refrigerator. Please ensure the water and tap electrical point are located in an adjacent cupboard (within 1 metre of either side of the unit), or above (within 100mm of the height of the refrigerator) rather than behind the refrigerator. Additional clearance will be required if the utilities are located directly behind the refrigerator.

APPLIANCE	PDCE1NBWDSS PDCE1NBWJSS
A - Total Height to above hinges	~1769mm
B - Cabinet Height	~1753mm
C - Cabinet Depth without doors	~607mm
D - Cabinet Depth without door handle	~711mm
E - Cabinet Depth including handle	~788mm
F - Depth with Door Open 90°	~1559mm
G - Cabinet Width	~912mm
MINIMUM CAVITY DIMENSIONS	
* - Height	~1780mm
* - Width	~920mm
* - Depth	~620mm
CLEARANCES (*Included in above)	
Top	~25mm
Sides	~3mm
Back	~13mm
DOOR OPENING DIMENSIONS	
Y	~594mm
Z	~594mm

MINIMUM CORNER CLEARANCES



Note:
GE refrigerators have been designed for full access to most interior parts with the doors open to 90°, providing there is a 40mm clearance, as shown, to the side wall. This allows for the depth of the door handles. Full access can be achieved with increased corner clearances.

*Technical Specifications and product sizes can be varied by Manufacturer without notice. Any cut-outs for appliances should only be by physical measurements. Drawings are not to scale. All information supplied is for general reference purposes only and is on the understanding that Kleenmaid Pty Ltd will not be liable for any loss, liability or damage whatsoever arising as a result of reliance of such information.

Bottom Mount Fridges

BEFORE YOU BEGIN

Instructions to your plumber: Install 1/2 inch stop cock (tap), located in the cabinetry or adjacent to, or if possible above fridge cavity. Not to be located in fridge cavity.

1 CONNECTING THE REFRIGERATOR TO THE HOUSE WATER LINE

(icemaker and dispenser models)

A cold water supply is required for automatic icemaker operation. If there is not a cold water supply, you will need to provide one.

BEFORE YOU BEGIN

The water line installation is not warranted by the refrigerator or icemaker manufacturer. Follow these recommendations carefully to minimize the risk of expensive water damage.

Water hammer (water banging in the pipes) in house plumbing can cause damage to refrigerator parts and lead to water leakage or flooding. Call a qualified plumber to correct water hammer before installing the water supply line to the refrigerator.

To prevent burns and product damage, do not hook up the water line to the hot water line.

If you use your refrigerator before connecting the waterline, make sure the icemaker power switch is in the 0 (off) position.

Do not install the icemaker tubing in areas where temperatures fall below freezing.

When using any electrical device (such as a power drill) during installation, be sure the device is insulated or wired in a manner to prevent the hazard or electric shock.

All installations must be in accordance with local plumbing code requirements.

Installation of the icemaker must be done by a qualified service technician.

⚠ WARNING! Connect to potable water supply only.

NOTES:

- **It is the installer's responsibility to ensure plumbing is compliant with local codes and regulations.**
- Before making the connection to the refrigerator, be sure the refrigerator power cord is not plugged into the wall outlet.
- If your refrigerator does not have a water filter, we recommend installing one if your water supply has sand particles that could clog the screen of the refrigerator's water valve. Install it in the water line near the refrigerator. If using GE SmartConnect™ Refrigerator Tubing Kit, you will need an additional tube (WX8X10002) to connect the filter. Do not cut plastic tube to install filter.

1 CONNECTING THE REFRIGERATOR TO THE HOUSE WATER LINE

(cont.)

A If you are using copper tubing, place a compression nut and ferrule (sleeve) onto the end of the tubing coming from the hose cold water supply.

If you are using the GE SmartConnect™ tubing, the nuts are already assembled to the tubing.

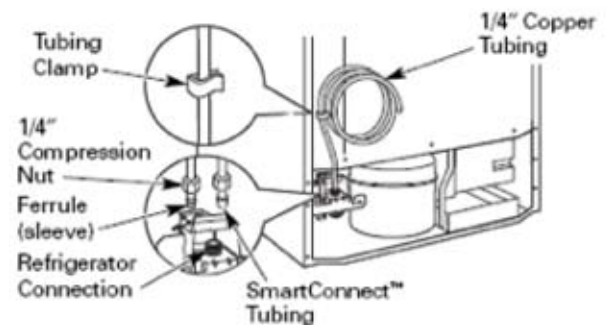
B If you are using copper tubing, insert the end of the tubing into the refrigerator connection, at the back of the refrigerator, as far as possible. While holding the tubing, tighten the fitting.

If you are using GE SmartConnect™ tubing, insert the molded end of the tubing into the refrigerator connection at the back of the refrigerator, and tighten the compression nut until it is hand tight. Then tighten one additional turn with a wrench. Overtightening may cause leaks.

C Fasten tubing into the clamp provided to hold it in position. You may need to pry open the clamp.

One of the illustrations below will look like the connection on your refrigerator.

Icemaker-Ready models



Icemaker-Installed Models

