

Wall Mounted Rangehood 90cm



Model: RHSC90

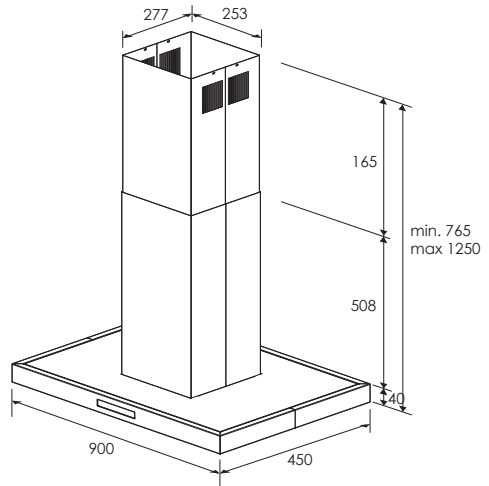
- Stainless steel and Black Krystal Glass construction
- Unique Stainless Steel **ProTec Micro** grease filters
- 12% more powerful performance, 900 m³/h
- 16% quieter sound rating for 47dbA with Kleenmaid's **Whisper*** technology
- 4 extraction speeds
- Front mount centre touch control panel
- Timer for automatic shut off or manual operation
- 2 Halogen lamps
- Non return protection for external air
- 150mm diameter air venting capacity for excellence performance



ProTec Micro



Whisper



100%
AUSTRALIAN
OWNED



5
YEAR
WARRANTY

QUALITY ASSURED

J10956_01