

Dimensions and Specifications

# Double Bowl Undermount Sink



Kleenmaid's undermount sinks reflect the latest in design trends. Absolute square lines, specially designed to provide ultimate minimalist appearance and luxurious simplicity. An undermount sink, combined with a granite or stone benchtop and sculptural tap, creates the perfect finish to your kitchen.

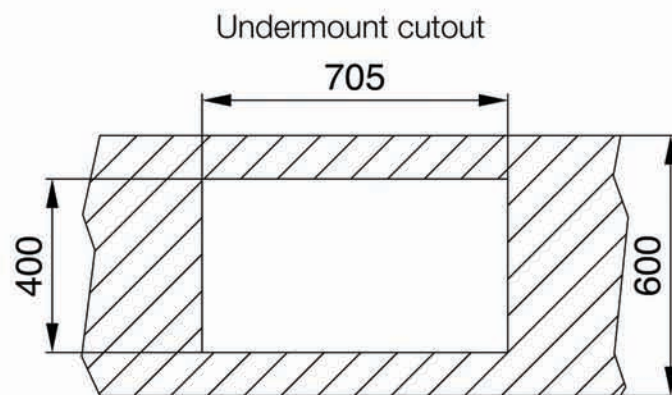
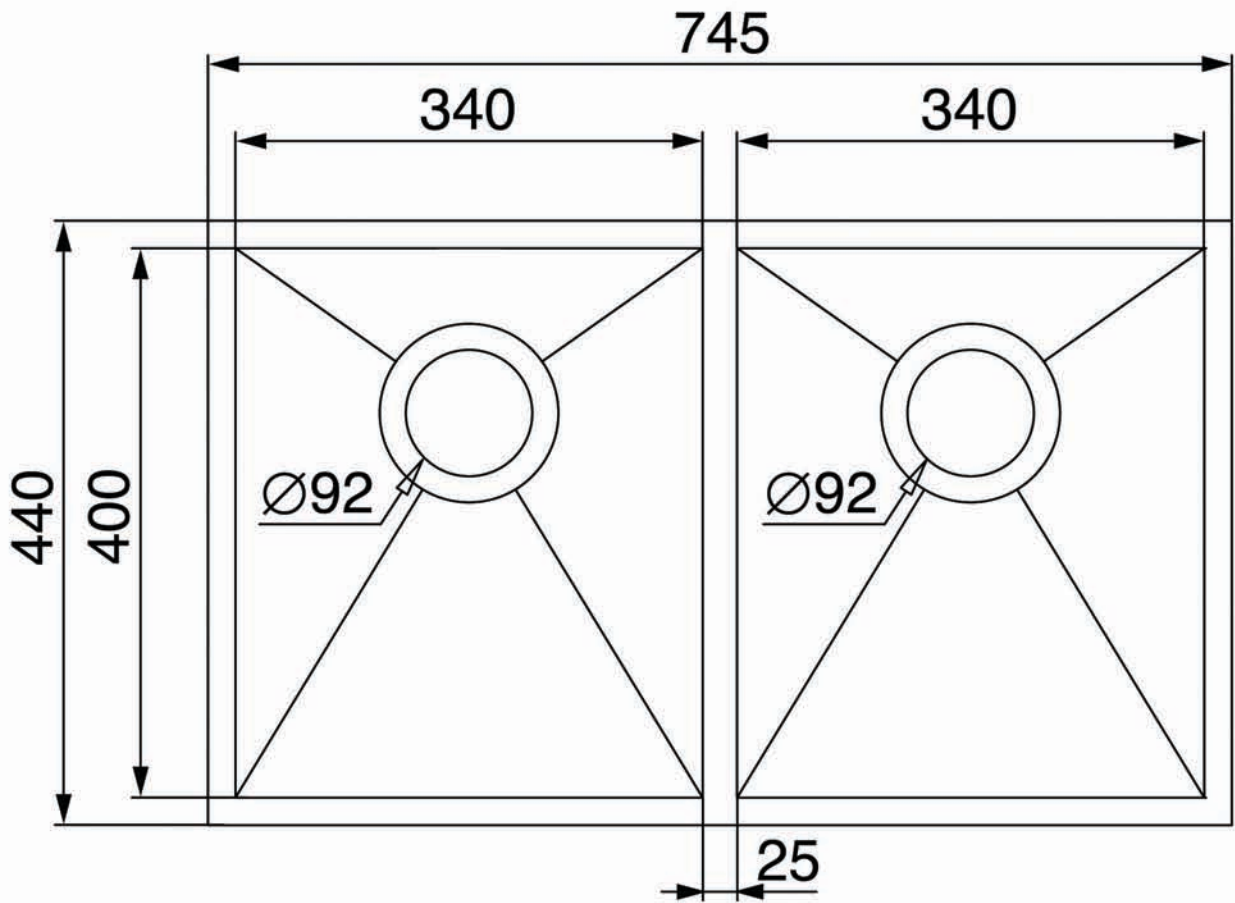
Installation type:	Undermount
Finish:	Smooth stainless steel (Minimises scratch visibility)
Construction:	1 mm thick stainless steel
Sink Dimensions:	745 x 440mm
Bowl Dimensions:	340 x 400 x 200mm (both bowls)
Inclusions:	Sealable waste baskets Installation template
Accessories: (optional)	Steel colander (SC150SC) Glass chopping board (SC150CB) Stainless steel soap dispenser (SCSD)

Please call 02 9375 2390  
[www.kleenmaid-appliances.com.au](http://www.kleenmaid-appliances.com.au)

 **Kleenmaid**  
 The best you can own.

Dimensions and Specifications

# Double Bowl Undermount Sink



\*Technical Specifications and product sizes can be varied by Manufacturer without notice. Any cut-outs for appliances should only be by physical measurements. Drawings are not to scale. All information supplied is for general reference purposes only and is on the understanding that Kleenmaid Pty Ltd will not be liable for any loss, liability or damage whatsoever arising as a result of reliance of such information.

Please call 02 9375 2390  
[www.kleenmaid-appliances.com.au](http://www.kleenmaid-appliances.com.au)

**Kleenmaid**  
 The best you can own.