

# Canopy Rangehood



Good looking and efficient – the perfect combination! The new series of designer rangehoods from Kleenmaid combine stunning good looks with outstanding design, to provide the perfect finishing touch to any kitchen.

Style: Wall mounted canopy

Colour: Stainless steel and glass

Width: 900mm

Operation: 3 speed push button

Lighting: 2 x 20w halogen lamps

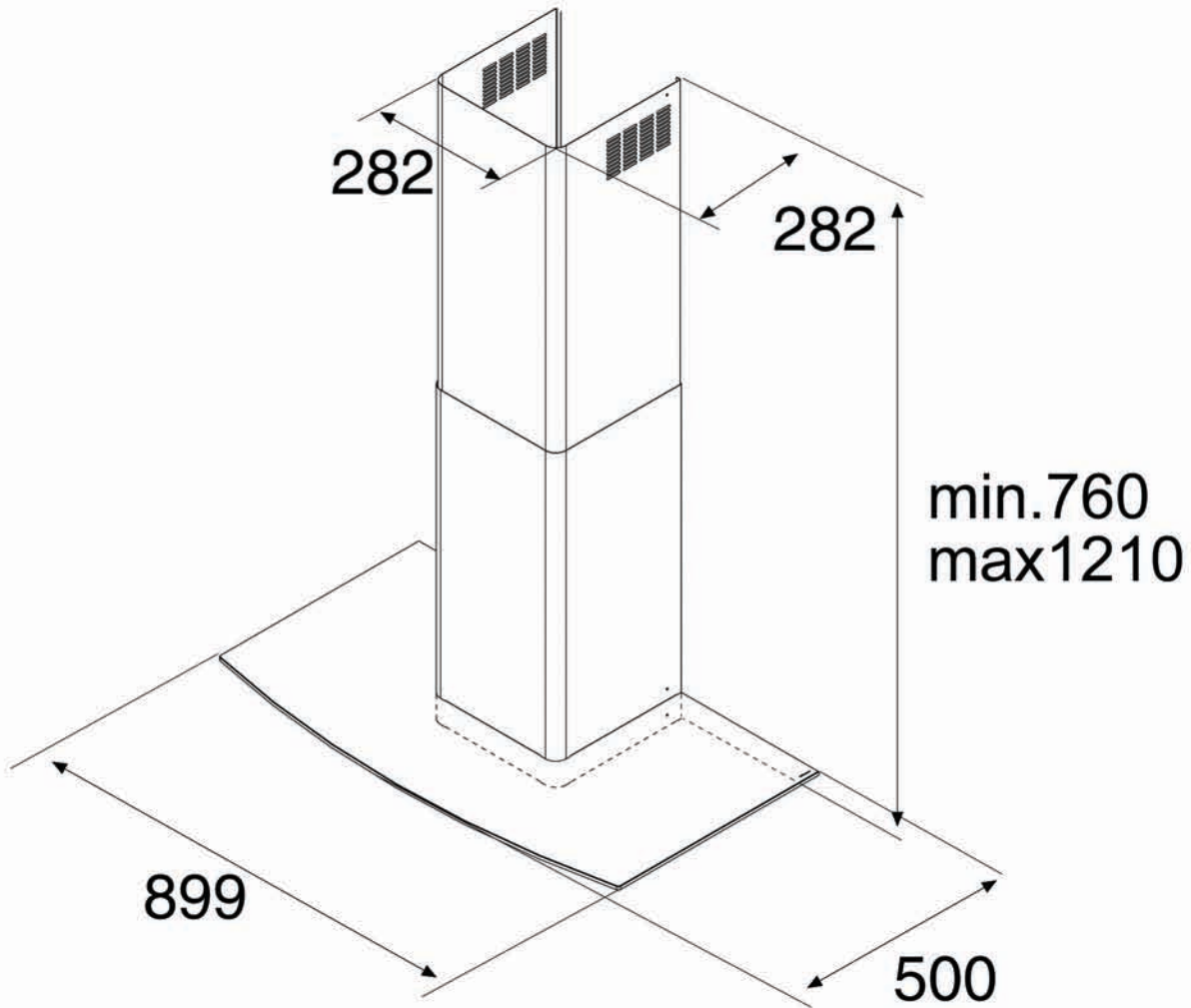
Max airflow capacity: 700 m<sup>3</sup>/h

\*Technical Specifications and product sizes can be varied by Manufacturer without notice. Any cut-outs for appliances should only be by physical measurements. Drawings are not to scale. All information supplied is for general reference purposes only and is on the understanding that Kleenmaid Pty Ltd will not be liable for any loss, liability or damage whatsoever arising as a result of reliance of such information.

Please call 02 9375 2390  
[www.kleenmaid-appliances.com.au](http://www.kleenmaid-appliances.com.au)

 **Kleenmaid**  
The best you can own.

# Canopy Rangehood



Model	Elec. Approval No.
TGLASS90	Q96344

Please call 02 9375 2390  
[www.kleenmaid-appliances.com.au](http://www.kleenmaid-appliances.com.au)

**Kleenmaid**  
 The best you can own.