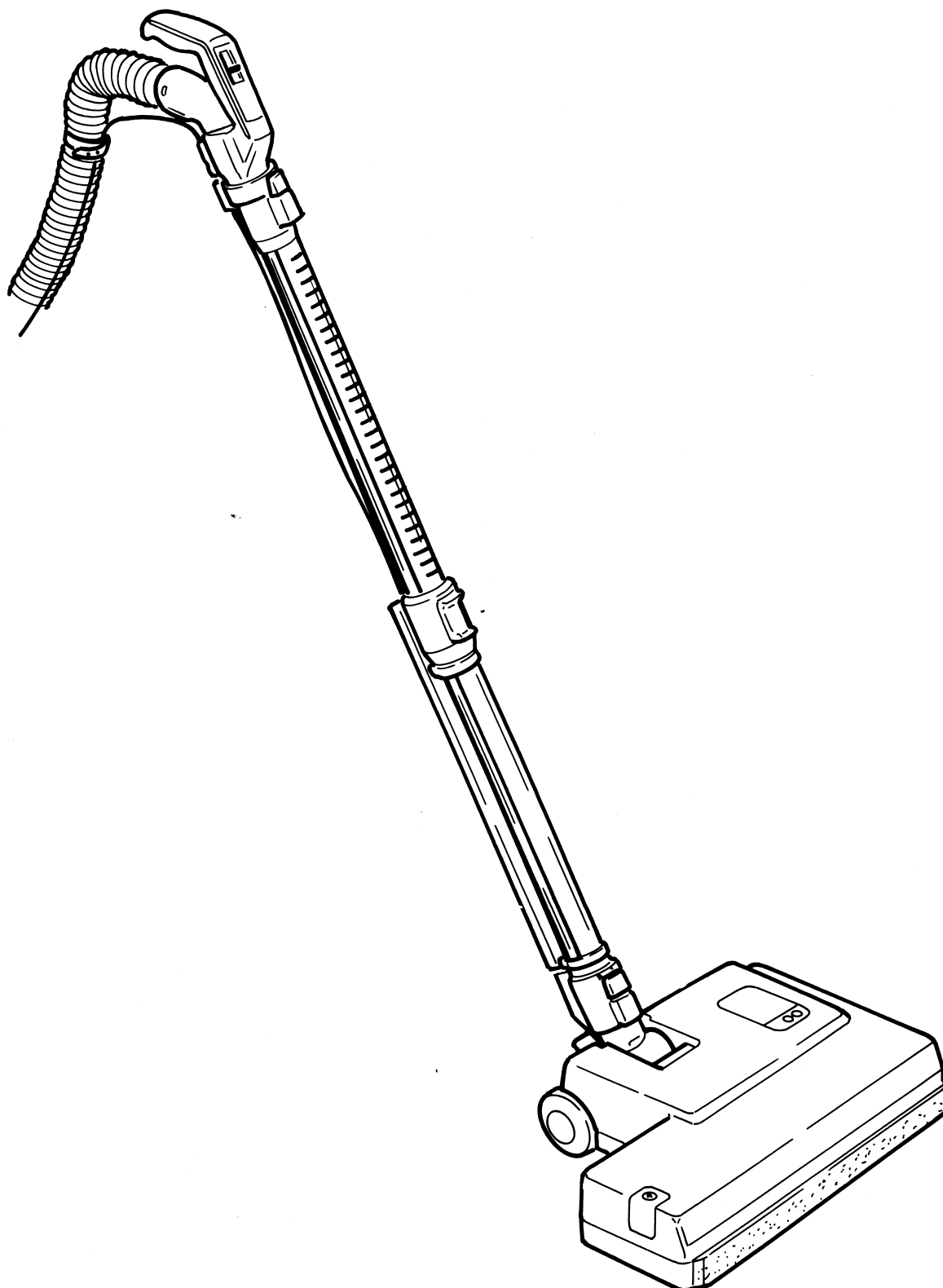


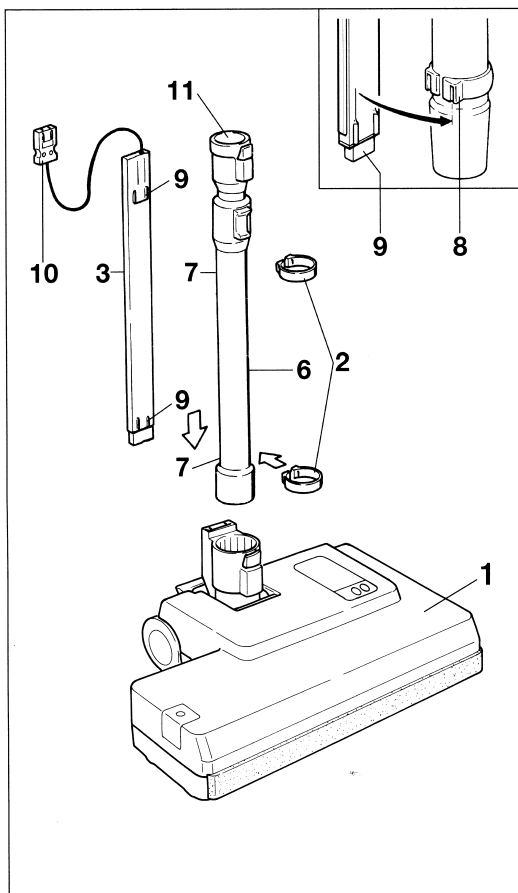
Electric power brush ETC



Instruction manual for SEBO electric power brush ETC

Please read this instruction manual carefully before using this appliance and pay attention to all safety advice.

Your SEBO electric power brush is made to give you excellent performance and long life. Carpets are only cleaned hygienically and keep their good appearance when brushed thoroughly during vacuum cleaning. The SEBO electric power brush in combination with a SEBO *air belt* C cylinder vacuum cleaner provides you with the best aid for good carpet care.



Unpacking

In the box you will find the machine (1), two clips (2), the telescopic cable guide (3) and the cable (10) with six cable clips (5).

The two clips fit on the telescopic tube (6). One for the lower and one for the upper end. At both places there are two little humps (7) on the rear side of the tube to hold the clips. The two grooves (8) on the clips (2) must face downwards.

The telescopic cable guide fits with its bridges (9) into these grooves (8). The cable with the plug (10) faces upwards, pull it out and fit it at the upper tube end (11).

For SEBO *air belt* C1; C2; C2.1 and C3

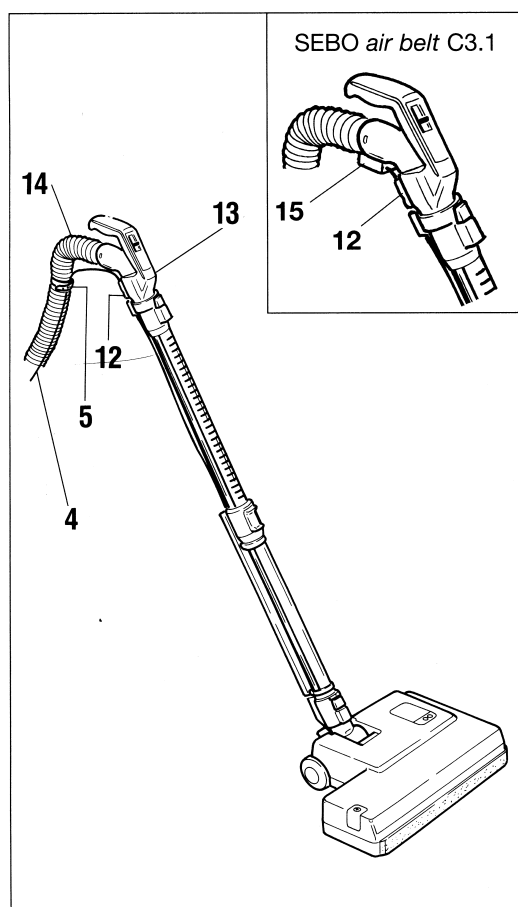
Installing the cable

The cable (4) to the vacuum cleaner has a plug (12) which fits underneath the handle (13) and one to plug into the vacuum cleaner. Fix the cable with the cable clips (5) in equal distances along the hose (14). The cable is longer than the hose to maintain its elasticity.

For SEBO *air belt* C3.1 only

Installing the cable

Fit one cable plug (12) into the grooves on the bottom of the handle and push the opposite plug (15) onto the contact holder in the hose' neck.



How to connect and use

Your SEBO electric power brush is made to be used together with the SEBO *air belt* C cylinder vacuum cleaner. To prevent damage the vacuum must be switched on and provide enough air-flow through the power brush. Only in this case will the cleaning result be satisfactory.

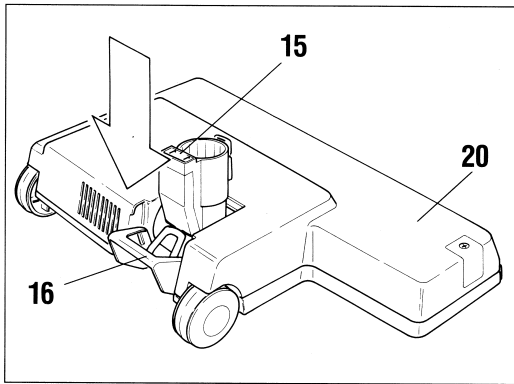
We recommend using the maximum suction power level.

If you are uncertain or if you have any questions, your dealer will be glad to help you, or telephone

Attention - safety advice for connection:

- connect only to outlets according to data shown on labels
- mains voltage for both machines must be the same
- the vacuum cleaner must be switched on and provide air-flow through the power brush
- the cable must be fixed along the hose and be plugged into the vacuum

Use



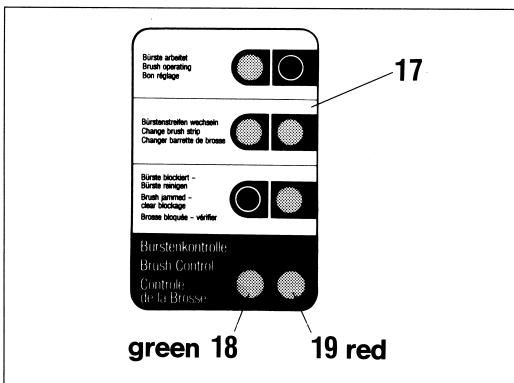
The power brush is switched off if the swivel neck (15) is locked upright. For use, switch the vacuum on and adjust to maximum power, push the pedal (16) down and lower the tube.

On the top of the power brush there is an information panel (17) with two indication lights.

The green light (18) indicates correct function. Green (18) and red light (19) together indicate a reduced brush action. Either the brush strip requires changing or the brush doesn't find enough resistance, for example when lifted or used on hard floors.

When only a red light (19) appears, then the power brush has shut off to prevent carpet damage or it is jammed.

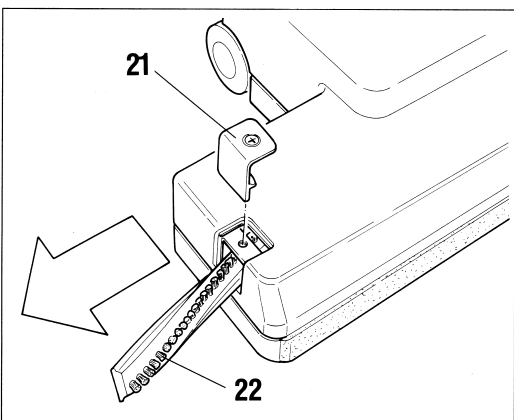
For best effect, push the power brush slowly over the carpet. The result will surprise you. On the side with the extension (20) the machine cleans and brushes right to the edge, and will get under radiators etc.



Attention - safety advice for use:

- the machine has a rotating brush
- always take care that the brush does not pull in rug edges, fringes, cables etc.
- Berber, woven and other delicate floorcoverings for floors with delicate surfaces please clean with the combination nozzle of your vacuum cleaner
- on uneven floors contact with the bottom plate is possible. Use combination nozzle if damage may occur
- lift the machine over obstacles

ATTENTION - switch off and unplug machine at the mains outlet and from the vacuum before all service work and before removing any part.



Changing the brush strip - (unplug machine at the mains outlet)

When green (18) and red (19) lights appear together while the brush is on the carpet then the brush strip needs to be replaced. Open the brush strip cover (21), turn the brush until the brush strip (22) can be pulled out of the opening. Push the new brush strip in until it is aligned with the brush edge and close the brush strip cover.

Service - (unplug machine at the mains outlet)

The brush should be cleaned of fibres and hair regularly. After a blockage or when the brush has pulled in something, clear the brush and take all debris out of the brush area. Check the swivel neck regularly for blockages. Do not open the machine!

CAUTION - general safety advice

- use this appliance only in combination with a SEBO vacuum cleaner
- pay attention to this and the manual of the vacuum cleaner
- keep the manual
- disconnect from mains before changing the brush strip or any service work
- electrical appliance, keep away from liquid or moisture
- vacuum dry surfaces only
- do not try to use on any body parts, human or animal
- do not vacuum hot material such as ash
- do not connect to a malfunctioning or damaged machine
- after security shut off, first switch off, then disconnect from mains and service the appliance
- do not remove any screws
- no user serviceable parts inside the machine
- if the cable is damaged use only a genuine SEBO replacement
- use of non SEBO parts could be dangerous
- If damaged, the cable of the telescopic cable guide must be replaced with a genuine SEBO spare part by authorised personnel only.

THIS APPLIANCE HAS A ROTATING BRUSH:

- do not run over any cables
- do not leave unattended
- children must be strictly supervised

The warranty will be invalidated if the above advice is ignored

IT IS THE USERS RESPONSIBILITY TO OPERATE THIS APPLIANCE SAFELY AND CAREFULLY

Technical Details

Brush motor	150 Watt
Brush Width	325 mm
Brush strip	replaceable
Brush drive	toothed belt with electronic overload protection
Width	353 mm
Weight	3,4 kg
Protection	double insulated
Radio suppression	to CISPR

