

# Kleenmaid *air belt* VC350

High filtration vacuum cleaner  
with Side Impact Protection

---



# Kleenmaid air belt VC 350



## Technical data:

Motor:	1800 W max./1500 W average
Air flow:	61 l / sec.
Filterbag:	3 litres
Weight:	5,5 kg
Sound:	63 dbA
Length:	410 mm
Width:	328 mm
Height:	240 mm

**Thank you for choosing Kleenmaid. We are sure that you will enjoy using your new Kleenmaid vacuum cleaner.**

**For optimum and safe operation of this product, please carefully read this instruction manual - including the safety and warning notes - before use.**

Developed and manufactured in Germany using the latest technology, your new Kleenmaid VC350 is designed to give long life, excellent performance and ease of use. The powerful suction, light weight and high filtration technology set new performance standards. With three castor wheels, excellent furniture protection from its patented *air belt* shock absorber, professional attachments, an ergonomic handle, electronic power adjustment and a light-weight telescopic tube, the Kleenmaid VC 350 guarantees easy operation.

## Box contents

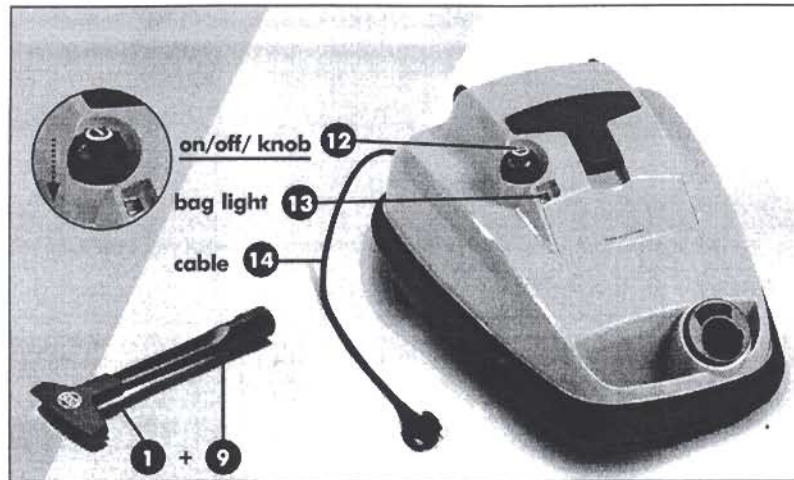
Your Kleenmaid VC350 includes a handle with hose, an electric telescopic tube, an electric Power brush ET-H, a combination nozzle, parquet/hard floor brush, a crevice nozzle, an upholstery nozzle and a dusting brush with clamp.

## Assembly

- Push the hose end (2) into the neck (4) until the catch (3) locks. It fits only in one position.
- Push the telescopic tube (7) onto the hose handle (5) until it clicks into place.
- Push the combination nozzle (11) onto the lower end of the telescopic tube (7a) until it clicks into place.
- The Electric Power Brushes and parquet brush fit on in the same way. Please read the separate instruction manual before using the Electric Power Brush.
- The clamp for the dusting brush fits onto the telescopic tube .

## Telescopic tube, combination nozzle and the attachments

- To adjust the height of the telescopic tube (7) use the slide button (8).
- The combination nozzle (11) can be adjusted for carpets (bristles in) or hard floors (Bristles out) by using the pedal (10).
- The crevice nozzle (9) is located in the rear of the machine, opposite the plug recess. The crevice nozzle fits onto the hose handle (5) as well as onto the lower end of the telescopic tube (7a). The upholstery nozzle (1) is located on the top of the machine. To use, fit it to the end of the crevice nozzle.



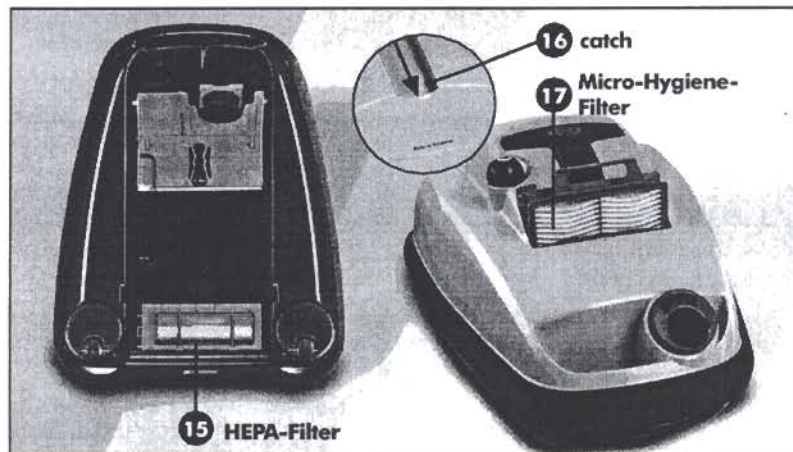
### Operation

- Use your Kleenmaid VC 350 vacuum cleaner only at the voltage stated on the type plate, which can be found in the handle recess of the machine.
- To extend the cable (14), firmly grip the plug on the upper and lower sides and pull. Please do not

try to pull the plug out by a pin. Ensure the whole cable is extracted before plugging in.

- To switch on, press down on the on/off power control knob (12).
- To adjust suction power, push the slider from O (standby mode) to max. in the handle (5).

- Push the control knob (12) again to switch off the machine after use. Pull the plug out of the socket. To retract the cable, pull on it near the plug recess and the mechanism will automatically rewind.



### Bag Light

- The orange bag light (13) indicates a blockage or a full filter bag.
- The light only works correctly at full power. At lower power levels, the bag light might indicate incorrectly. Check the status regularly at full power.

### HEPA-Filter and Micro-Hygiene Filter

- Your Kleenmaid VC 350 has an HEPA filtration system. This filter system is ideal for people with allergies and asthma. Air flows through three high efficiency microfilters - the Ultra-Filter bag, the HEPA-Filter (15) and the Micro-Hygiene-Filter (17).
- We recommend changing both filters after using between 16 - 24 filter bags or if they have become very dirty (e.g. after vacuuming builders/DIY dust).

- The HEPA-Filter can be pulled out once the filter bag cover has been removed by sliding it up and out of the two grooves.

- To replace the filter bag cover, slide it back into the two grooves. Please ensure that the bottom of the filter bag is placed into the filter bag cover before closing.

- The Micro-Hygiene Filter can be changed by removing the printed cover on top of the machine. To release the cover lift the catch (16) in the upholstery nozzle recess.

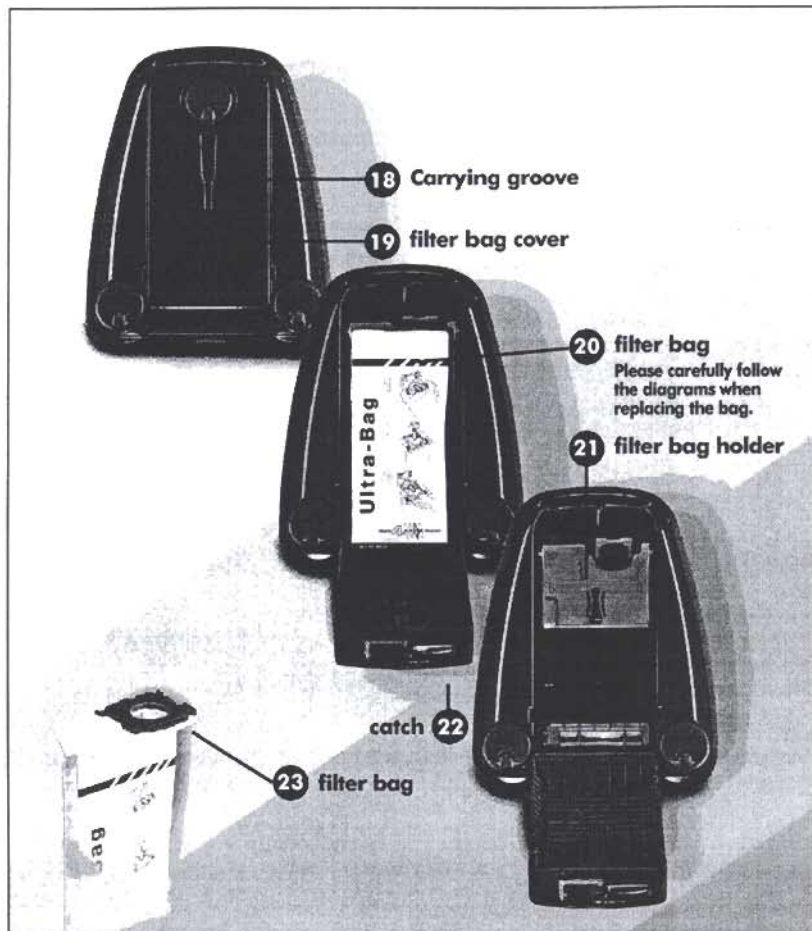
- Pull out the Micro-Hygiene Filter using its handle and fit the new filter in the same position. The filter handle points towards the upholstery nozzle when it is folded down.

- Replace the cover and push it until it clicks into place.

### Caution:

Always switch off and unplug the machine before changing filterbags, filters etc. The cable must only be changed by the manufacturer.





### Changing the filter bag

- The orange bag light (13) indicates a blockage or a full filter bag.
- Vacuuming fine dust may require an earlier change even though the filter bag is not full. Fluff may overfill the bag.
- To change the filter bag, put the machine upright and press the catch (22) to unlock the filter bag cover (19).
- Follow the diagrams printed on the filter bag to replace the filter bag.

- Please ensure that the filter bag top (23) is located properly on both sides of the holder (21) and pushed in until it locks.
- The cover can only be closed with a properly attached filter bag.
- Used filter bags can be sealed with a cap, which is included in the Kleenmaid Filterbox (Art.-No. VC6629KM) and the Kleenmaid HEPA Box (Art.-No. VC6431KM).

### Clearing blockages

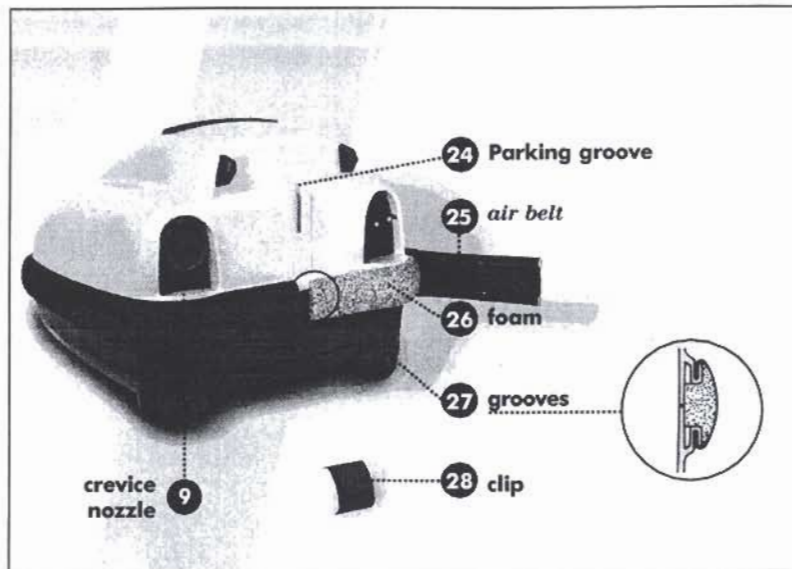
- Clear blockages in the hose by removing the hose from the neck while pushing the catch (3). The machine will turn on with full power. Fit the handle (5) into the neck (4) and close the free end of the hose repeatedly with your hand to clear the blockage the wrong way around.
- Always ensure that the filters are not clogged.
- Never use a stick to clear the hose.

### Parking groove / Carrying groove

- When the vacuum cleaner is not being used, the telescopic tube with floor attachment can be parked in the Parking groove (24) beside the cable recess. For carrying the machine easily, the telescopic tube with floor attachment can be fitted into the Carrying groove (18) on the underside.

## Caution:

Never operate the machine with incorrectly fitted filters or without filters, filter bag, air belt or covers.



### The Kleenmaid VC350

- Your new vacuum cleaner is fitted with the patented *air belt* shock absorber system, which protects your walls and furniture and eliminates exhaust air blast.

- The *air belt* (25) can easily be changed. Take the clip (28) off and remove the *air belt*. The foam part (26) stays on the machine. To fit the new *air belt*, slot the side rails into the grooves (27). Start at the back and proceed round the machine. Secure the ends with the clip (28).

### Kleenmaid ET-H brushes

For professional carpet care results we recommend the Kleenmaid ET-H.

For more detailed information please read the separate instruction manual for Electric Power Brush.

## Caution – Safety advice

This is an electrical appliance. Disconnect from mains before changing bag or filters.

- The cable must only be changed by the manufacturer.
- Only connect to mains outlets which correspond with the type plate in the handle recess.
- The hose and handle contain electrical parts. Do not immerse them in liquid or get them wet. Inspect the hose frequently for damage. Do not use a damaged hose.

- The appliance is not intended for use by young children or infirm persons without supervision
- Young children should be supervised to ensure that they do not play with the appliance.
- Vacuum dry surfaces only.
- Do not expose to liquid or moisture.
- Do not vacuum hot material such as ash.
- Do not vacuum humans or animals.
- Do not wash filters.

- Do not re-use bags.
- Only use genuine Kleenmaid replacement items.
- No user serviceable internal parts.
- Pull out cable fully for prolonged use.
- Do not handle a damaged cable.

- The warranty will be invalidated if the above advice is ignored. It is the user's responsibility to operate this appliance safely and carefully.

### Caution:

Never operate the machine without an *air belt*. The filters must not be washed.

## **Domestic Warranty**

### **Full Five Year Warranty**

In addition to all statutory rights which you, the Consumer, have under all the relevant laws in respect of this appliance, during your first five years of ownership as the original purchaser of the KLEENMAID VC350, we guarantee that any fault caused by faulty material or workmanship, becoming apparent will be rectified free of charge for parts or labour provided that all service is performed during normal working hours by KLEENMAID or their designated Agent.

The Purchaser must pay the cost of transporting the appliance to and from the Service Agent or the Agent's travelling cost to and from the Purchaser's home.

## **Commercial Warranty**

### **Full One Year Warranty**

In addition to all statutory rights which you, the Consumer, have under all the relevant laws in respect of this appliance, during your first one year of ownership as the original purchaser of the KLEENMAID VC350, we guarantee that any fault caused by faulty material or workmanship, becoming apparent will be rectified free of charge for parts or labour provided that all service is performed during normal working hours by KLEENMAID or their designated Agent.

The Purchaser must pay the cost of transporting the appliance to and from the Service Agent or the Agent's travelling cost to and from the Purchaser's home.

## **What These Warranties Do Not Cover**

We are not responsible for any damage or malfunction unless caused by a defect in material or workmanship. This includes, but is not limited to, abuse, misuse, improper installation, and transportation damage. We are not responsible for any consequential damages resulting from any malfunction.

These warranties do not cover paper bags, micro filters or motor filters !

 **Kleenmaid**

**P.O.Box 5560,  
Maroochydore South.  
Qld. 4558.**