

Installation Instructions

Side by Side Refrigerators

Models

ZSGS420D

ZSGW420D

ZSGB420D

Design Guide

With Installation Instructions



Monogram®

Safety Information

BEFORE YOU BEGIN

Read these instructions completely and carefully.

- **IMPORTANT** — Save these instructions for local inspector's use. Observe all governing codes and ordinances.
- **Note to Installer** — Be sure to leave these instructions with the Consumer.
- **Note to Consumer** — Keep these instructions with your Owner's Manual for future reference.

WARNING:

This appliance must be properly grounded. See "Grounding the Refrigerator," page 10.

AVERTISSEMENT

Cet appareil doit être correctement mis à la terre. Consulter « Mise à la terre du réfrigérateur », page 10.

If you received a damaged refrigerator, you should immediately contact your dealer or builder.

CAUTION:

Due to the weight and size of this refrigerator, and to reduce the risk of personal injury or damage to the product – **FOUR PEOPLE ARE REQUIRED FOR INSTALLATION OF THIS REFRIGERATOR.**

PRUDENCE

À cause du poids et de la taille de ce réfrigérateur et pour réduire le risque de blessure et de dommages. **IL FAUT QUATRE PERSONNES POUR L'INSTALLATION DE CE RÉFRIGÉRATEUR.**

Skill Level — Installation of this refrigerator requires basic mechanical, electrical, carpentry and plumbing skills. Proper installation is the responsibility of the installer. Product failure due to improper installation is not covered under the Warranty.

WARNING:

- These refrigerators are top-heavy and must be secured to prevent the possibility of tipping forward. Anti-Tip protection is required. See page 12 for details.
- Use this appliance only for its intended purpose.
- Immediately repair or replace electric service cords that become frayed or damaged.
- Unplug the refrigerator before cleaning or making repairs.
- Repairs should be made by a qualified service technician.

AVERTISSEMENT

- Ces réfrigérateurs sont lourds en haut et il faut les arrimer pour éviter leur basculement. Il faut avoir un système de protection contre le renversement. Voir les détails page 12.
- Il ne faut utiliser cet appareil que pour l'utilisation appropriée.
- Réparer ou remplacer immédiatement tout cordon électrique effiloché ou endommagé.
- Il faut débrancher le réfrigérateur avant le nettoyage ou toute intervention.
- Les réparations doivent être faites par un technicien qualifié.

CONTENTS

Planning Guide

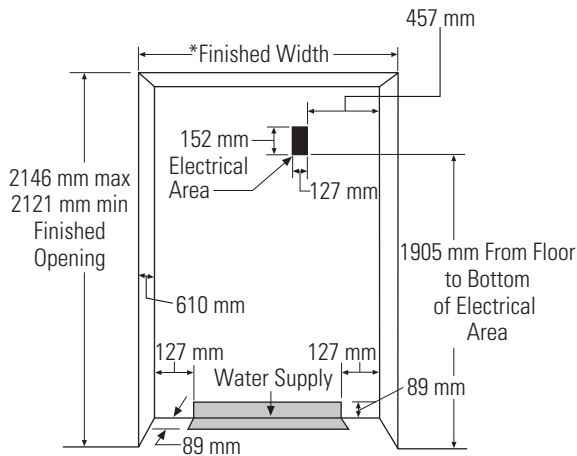
The Installation Space	3
Dimensions and Clearances	3
130° Door Swing	4
90° Door Swing	5
Customization Basics	6
6 mm Framed Panel Dimensions	7
19 mm Overlay Panel Dimensions	8
Raised Overlay Panel Design	9
Side Panels.....	10

Installation Instructions

Tools, Hardware, Materials	10	Step 7, Secure Refrigerator to Cabinetry ..14	
Grounding the Refrigerator	10	Step 8, Adjust Door Swing	14
Step 1, Remove Packaging	11	Step 9, Install Grille Panel	14
Step 2, Install Water Line	11	Step 10, Install Framed Panels	15
Step 2A, RO Water Line	12	Step 10A, Install Overlay Panels	16
Step 3, Install Side Panels	12	Step 11, Install Dispenser Trim	17
Step 4, Install Anti-Tip Brackets	12	Step 12, Connect Water Supply	17
Step 5, Open Grille Panel, Connect Power	13	Step 13, Connect Power	18
Step 6, Level Refrigerator	13	Step 14, Start Icemaker	18
		Step 15, Install Toekick	18

Design Guide

THE INSTALLATION SPACE



*The finished cutout width must be 1054 mm.

Water And Electrical Locations

The opening must be prepared with the electrical and water supply located as shown.

The cutout depth must be 610 mm

The refrigerator will project forward, slightly beyond adjacent cabinetry, depending on your installation.

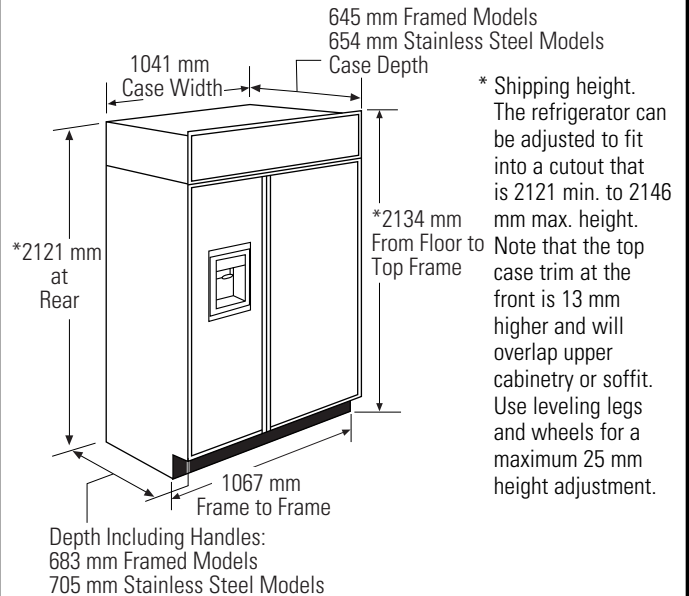
Cutout depth beneath a soffit:

When installed beneath a soffit, the soffit cannot exceed the 610 mm installation depth shown. The top case trim overlaps the bottom of the soffit.

Additional Specifications

- 220 volt, 50 Hz., 4.5 amps power supply is required. An individual properly earthed branch circuit or circuit breaker is recommended. Install a properly earthed electrical receptacle recessed into the back wall. Electrical outlet must be located on rear wall as shown.
- Water line can enter the opening through the floor or back wall. The water line should be 1/4" O.D. copper tubing or GE SmartConnect™ kit between the cold water line and water connection location, long enough to extend to the front of the refrigerator. Installation of an easily accessible shut off valve in the water line is required.

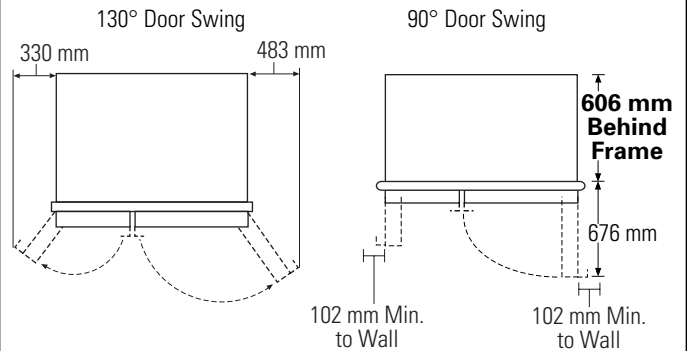
DIMENSIONS AND CLEARANCES



* Shipping height. The refrigerator can be adjusted to fit into a cutout that is 2121 mm min. to 2146 mm max. height. Note that the top case trim at the front is 13 mm higher and will overlap upper cabinetry or soffit. Use leveling legs and wheels for a maximum 25 mm height adjustment.

Product Clearances

These refrigerators are equipped with a 2 position door stop. The factory set 130° door swing can be adjusted to 90° if clearance to adjacent cabinets or walls is restricted.

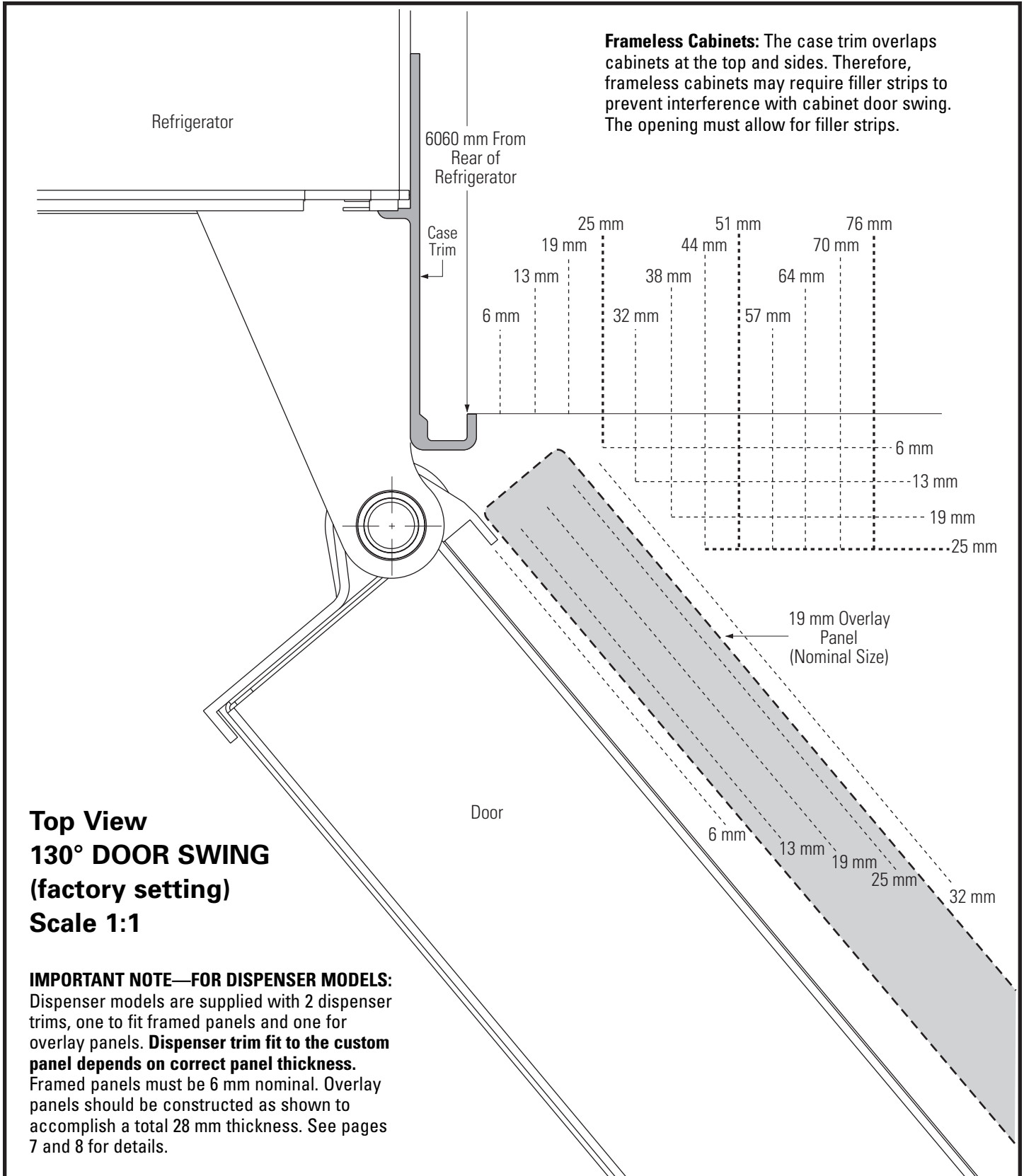


Allow minimum clearances for freezer door, 330 mm and fresh food door, 483 mm for a full 130° door swing and to allow for pan removal.

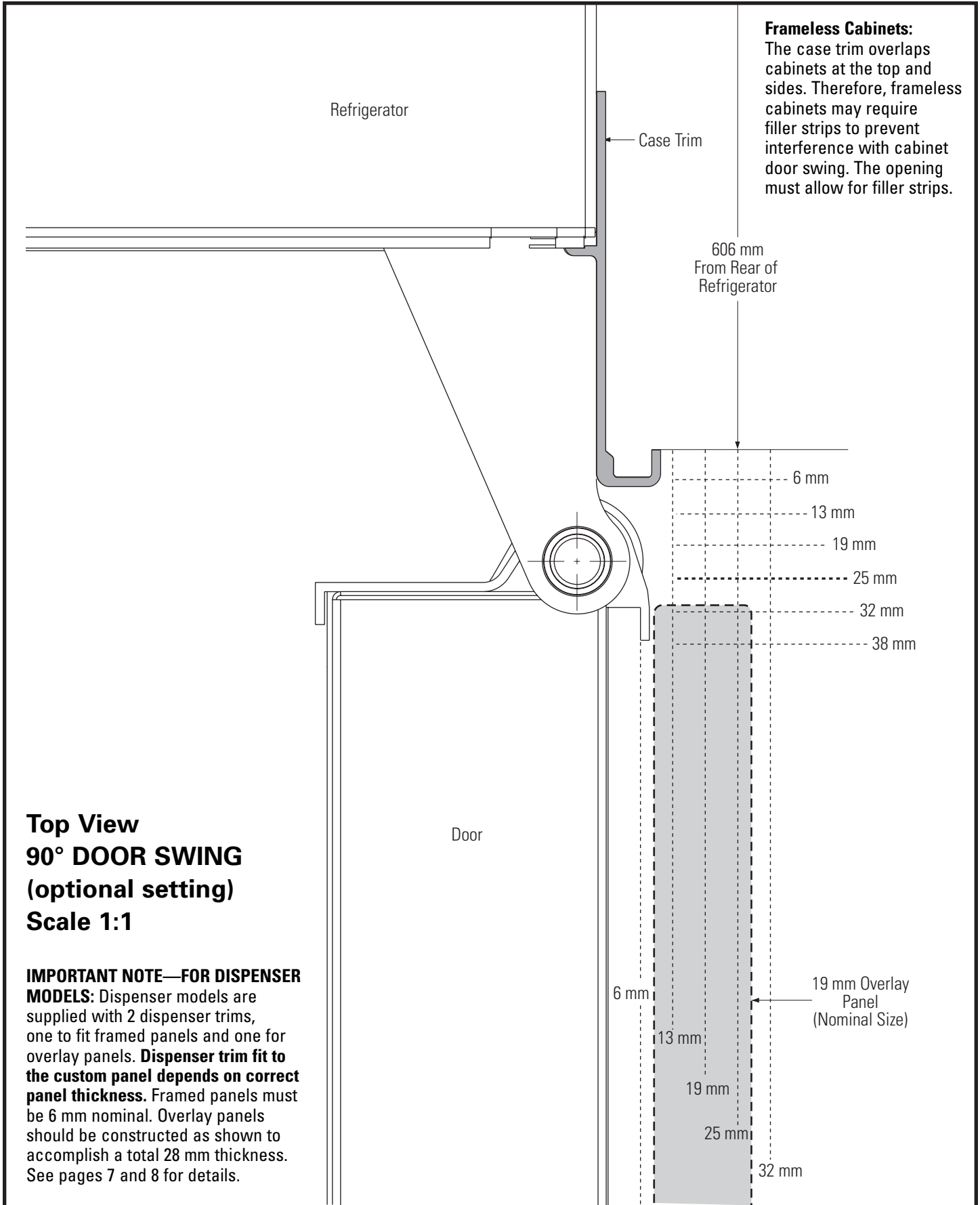
102 mm minimum clearance is required when door swing is adjusted to 90°. If the 90° door stop position is used, pan access is maintained, but pan removal is restricted.

See illustrations pages 4 and 5 to determine door swing interaction with adjacent cabinets or countertops.

Design Guide



Design Guide



Design Guide

CUSTOMIZATION BASICS:

Framed Or Overlay Panels, Custom Handles and Accessory Kits

Stainless Steel Wrapped Models

42" wide models – ZSGS420D

Trimmed Models

42" wide models – ZSGW420D, ZSGB420D

Stainless Steel Wrapped Refrigerators

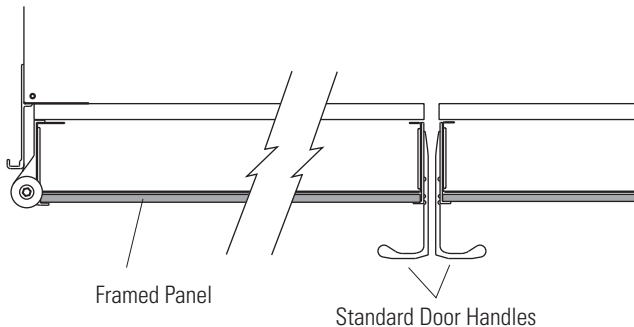
Stainless Steel wrapped refrigerators have wrapped doors and grille panel, beveled edges, and tubular stainless steel handles that coordinate with other Monogram appliances. These models are shipped ready for installation.

Trimmed Refrigerators

Trimmed refrigerators are designed to be customized with decorative panels. Field installed custom door and grille panels are required.

Framed panels

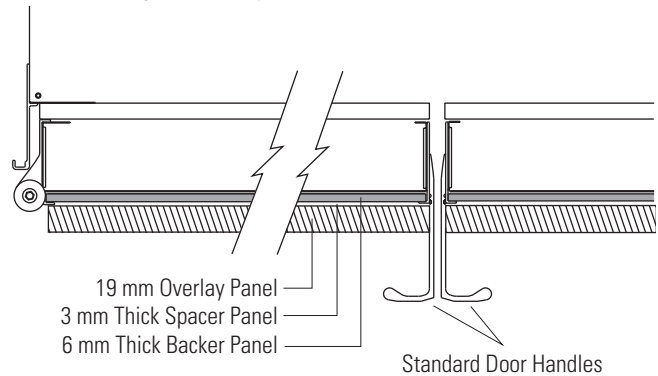
You may install 6 mm thick custom panels from your cabinet manufacturer. The decorative panel slides into the factory installed trim. Or, order black, white and stainless steel accessory panels from your Monogram dealer.



Standard supplied handles shown in 6 mm panel position.

Overlay panels

You may also choose to install custom overlay panels from your cabinet manufacturer. This design provides a seamless appearance which integrates smoothly with surrounding cabinetry.



Standard supplied handles shown in 19 mm overlay panel position.

Door Handles

The standard supplied handles can be adjusted to accommodate both framed or overlay panels. Custom handles of your choice, supplied by your cabinet maker can also be installed on overlay panels. If desired, you may order ZKHSS2 Monogram stainless steel tubular handle kit for 19 mm overlay panels.

Side Panels

Side panels must be used whenever the sides of the refrigerator will be exposed.

Optional Accessory Kits

ZKHSS2: Monogram Tubular Stainless Steel handles designed to fit 19 mm overlay panels.

Accessory Panels

White, black and stainless steel accessory panels are available from your Monogram dealer. Panels are cut to size and ready to install.

Models	White Acrylic	Black Acrylic	Stainless Steel
ZSGW420D	ZPW420D		ZPS420D
ZSGB420D		ZPB420D	ZPS420D

Design Guide

6 mm FRAMED PANEL DIMENSIONS

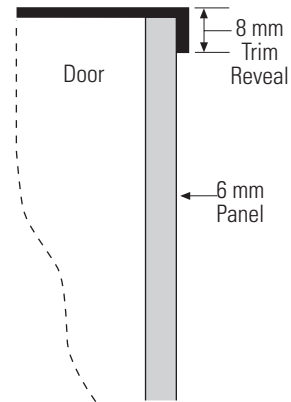
If you choose to install framed panels, they must be cut to the dimensions shown. The panels will slide into the frame on the door and grille.

Non-Dispenser Models

If the custom panel is less than 6 mm thick and it fits loosely in the door frame it can be backed up with a piece of filler material or foam tape to improve the fit.

IMPORTANT NOTE: Maximum total panel weight:

- Fresh food door panel – 34 kg
- Freezer door panel – 24 kg
- Grille panel – 8 kg



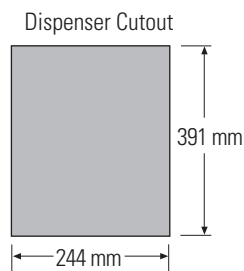
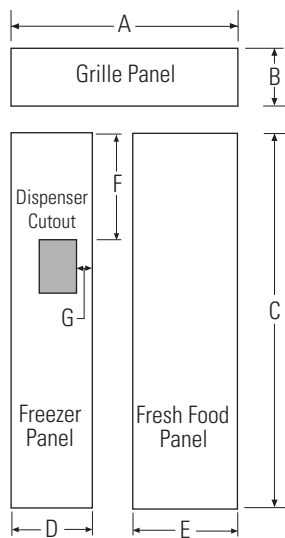
IMPORTANT NOTE—Dispenser Models:

The refrigerator is supplied with two dispenser trims, one for framed panels and one for overlay panels.

- If the panel is less than 6 mm thick a noticeable gap may be created around the dispenser trim. Foam tape may be applied on the door to improve the fit.

- If the panel is more than 6 mm thick, the dispenser trim cannot be secured to the door.

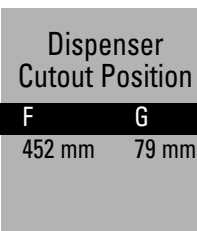
See **Dispenser Trim Fit Example, page 9.**



The framed panel must be 6 mm nominal thickness to fit the dispenser trim.

Side-by-Side (in millimeters)

A	B	C	D	E	F	G
1013 mm	241 mm	1737 mm	370 mm	624 mm	452 mm	79 mm



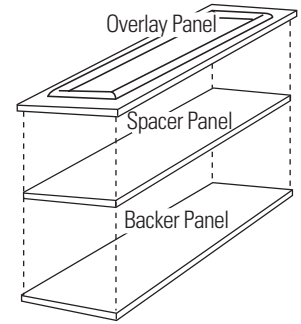
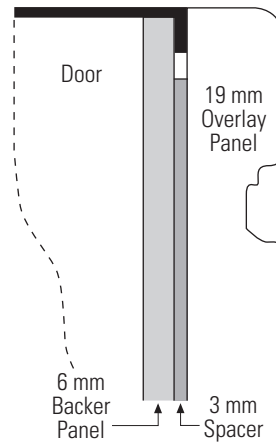
Design Guide

19 mm OVERLAY PANEL DIMENSIONS

For a more custom appearance, overlay panels may be installed on trimmed models. The overlay panel must be secured to a 6 mm thick backer panel which slides into the trim. A spacer panel 3 mm thick must be placed between the overlay and backer panel.

Assemble the panels with glue and screws.

- Center the spacer panel on the backer panel, left to right and top to bottom. Secure the panels with glue.
- Center the spacer and backer panel on the overlay panel and secure with glue and screws. Screws must be countersunk into the backer panel.



NOTE: Left-to-right offset is not always equal to top-to-bottom offset.

$$6 \text{ mm} + 3 \text{ mm} + 19 \text{ mm} = 28 \text{ mm Total Panel Thickness}$$

IMPORTANT NOTE—Dispenser Models:

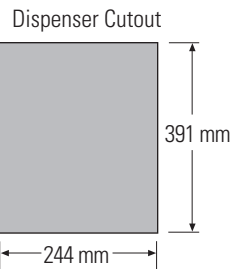
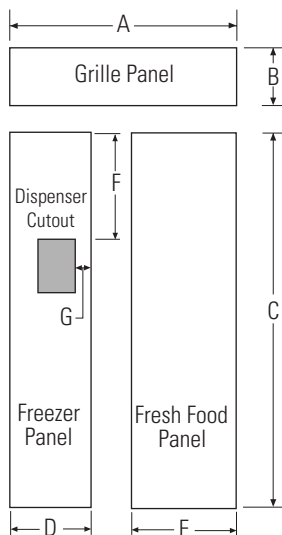
The refrigerator is supplied with two dispenser trims, one for framed panels and one for overlay panels. The overlay dispenser trim is designed to fit a total panel thickness of 28 mm.

- If the panel is less than 28 mm a noticeable gap may be created around the dispenser trim.
- If the panel is more than 28 mm the dispenser trim cannot be secured to the door.

See **Dispenser Trim Fit Example**, page 9.

- The overlay panel must be constructed according to the specifications shown to achieve the correct total thickness.
- Alternative panel construction methods such as securing a 19 mm panel to a 6 mm backer panel cannot be used. Another method, routing a 19 mm thick panel on all sides cannot be used. These methods will not result in the required 28 mm panel thickness.

When a raised panel design is to be used, a custom middle rail is required. See page 9 for details.



*Cut the dispenser opening after the backer, spacer and overlay panels have been assembled.

42" Side-by-Side (in millimeters)

	A	B	C	D	E	*Dispenser Cutout Position	
	A	B	C	D	E	F	G
6 mm Backer Panel	1013 mm	241 mm	1737 mm	370 mm	624 mm		
3 mm Spacer Panel	991 mm	219 mm	1702 mm	337 mm	591 mm		
19 mm Overlay Panel	1019 mm	248 mm	1743 mm	376 mm	630 mm	456 mm	83 mm

IMPORTANT NOTE: Maximum total weight for the assembled panels:

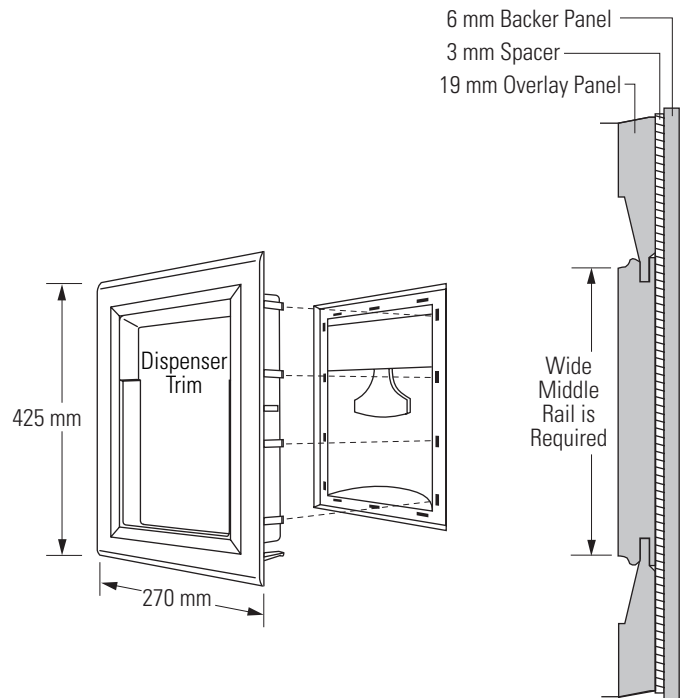
- Fresh food door panel – 34 kg
- Freezer door panel – 24 kg
- Grille Panel – 8 kg

Design Guide

DISPENSER MODELS: RAISED OVERLAY PANEL DESIGN

When a raised panel design is to be used, a custom wide middle rail is required to accept the dispenser trim.

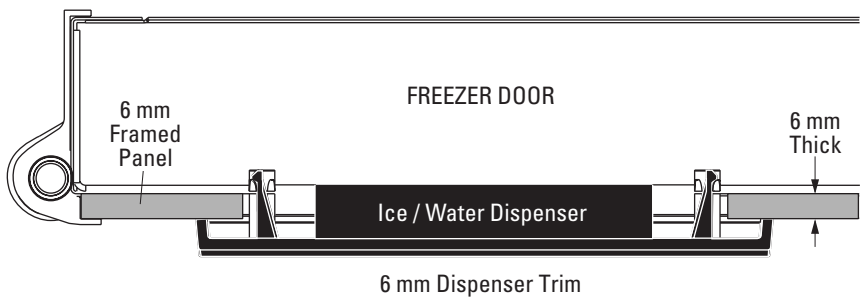
- The middle rail must be wide enough to allow for the dispenser trim to overlap the opening.
- The middle rail must be 28 mm total thickness to accept the dispenser trim.



DISPENSER TRIM FIT EXAMPLES: (NOT TO SCALE)

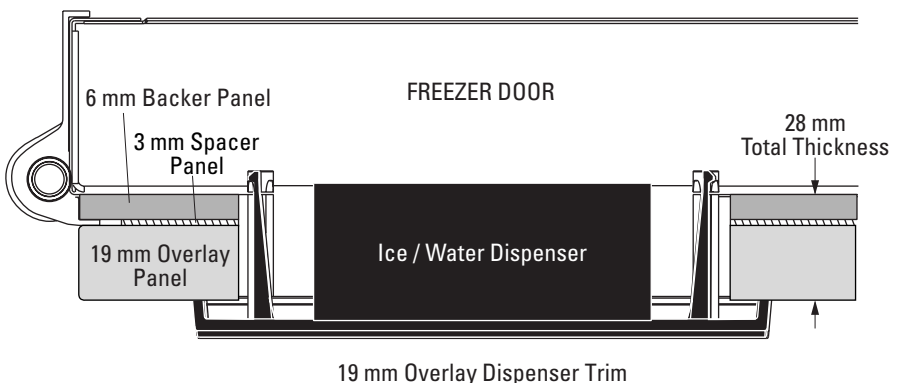
6 mm FRAMED PANEL

- The dispenser trim fits over the custom panel and snaps into the freezer door.
- The clips will not engage the door if the panel is more than 6 mm thick.
- If the panel is less than 6 mm thick, a noticeable gap may be created around the dispenser trim.



19 mm OVERLAY PANEL

- The dispenser trim fits over the custom panel and snaps into the freezer door.
- The clips will not engage the door if the panel is more than 28 mm thick.
- If the panel is less than 28 mm thick, a noticeable gap may be created around the dispenser trim.

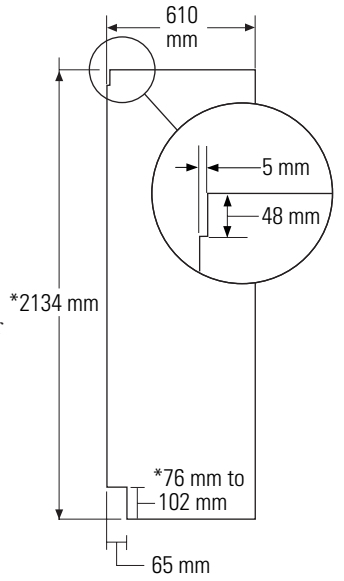


Design Guide

SIDE PANELS

Side panels must be used whenever the sides of the refrigerator will be exposed. The 6 mm side panels will slip into the side case trim. Secure the panels to the refrigerator with stick-on hook and loop fastener strips. Order the side panels from the cabinet manufacturer.

- Cut a notch in the top front corner as shown to allow clearance for corner keys in the front side trim.



* Depending on installation height.

TOOLS REQUIRED

- Tinsnips to cut banding
- Stepladder
- Bucket
- Level
- Appliance Hand Truck
- Tubing cutter
- 7/16" open-end wrench
- #2 Phillips screwdriver
- Drill and appropriate bits
- 5/16", 7/16" socket
- Safety glasses
- 1-1/4" open end wrench
- Pliers
- 1/4" ratchet wrench

HARDWARE SUPPLIED

- Water filter bypass plug
- Anti-Tip brackets
- 1/4" nut and ferrule
- Dispenser trims for 6 mm and 19 mm overlay panels
- 12 pan head screws for custom handle installation

MATERIALS REQUIRED

- 900 mm x 50 mm x 100 mm wood block for Anti-Tip support
- 1/4" copper water line tubing or GE SmartConnect™ Refrigerator Tubing kits
- Water shut-off valve (optional but recommended)
- Custom panels for doors and grille panel
- Screws to secure refrigerator to cabinetry
- Stick-on hook and loop fastener strips for 6 mm side panels

FLOORING

For proper installation, this refrigerator must be placed on a level surface of hard material that is at the same height as the rest of the flooring. This surface should be strong enough to support a fully loaded refrigerator, or approximately 680 kg.

NOTE: Protect the finish of the flooring. Cut a large section of the cardboard carton and place under the refrigerator where you are working.

EARTHING THE REFRIGERATOR

IMPORTANT—(Please read carefully)

FOR PERSONAL SAFETY, THIS APPLIANCE MUST BE PROPERLY EARTHED.

The power cord of this appliance is equipped with an earthing plug which mates with a standard earthed wall receptacle to minimize the possibility of electric shock hazard from this appliance.

Have the wall outlet and circuit checked by a qualified electrician to make sure the outlet is properly earthed.

Where an unearthed wall outlet is encountered, it is your personal responsibility and obligation to have it replaced with a properly earthed wall outlet.

IMPORTANT: The refitting of electric plugs and cables should be done by a qualified technician or service agent. In some countries the refitting of electric plugs and cables is only permitted when the work is completed by a qualified technician.



Mains lead replacement

If the mains lead on your refrigerator needs replacing at any time, it must be replaced by a special lead which is obtainable from your local dealer. A charge will be made for the replacement of the mains lead if you have damaged the lead.

The refrigerator must be positioned so that the plug is accessible for service and repairs.

Installation Instructions

STEP 1 REMOVE PACKAGING

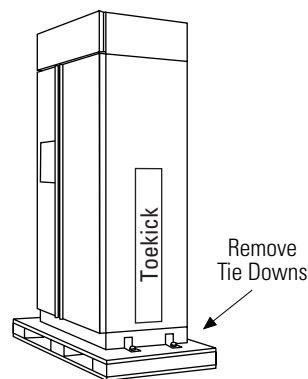
CAUTION: Refrigerator is much heavier at the top than at the bottom—be careful when moving. When using a hand truck, handle from side only.

PRUDENCE: Le réfrigérateur est beaucoup plus lourd en haut qu'en bas. Il faut être prudent lors des déplacements. Si un diable est utilisé, il faut soulever le réfrigérateur sur le côté seulement.

- Carefully cut banding at the top and bottom, remove outer carton.
- Slide out back corner posts (2).
- Slide carton off top of cabinet.

NOTE: IT IS NOT NECESSARY TO LAY CABINET DOWN IN ORDER TO REMOVE SKID!

- The unit is secured to the skid with 4 slotted tie-down straps. Remove the four 5/16" bolts from the base channels in the tie-downs.



- Remove the four 7/16" bolts securing the straps to the skid.

CAUTION: DO NOT ATTEMPT TO ROLL UNIT OFF SKID.

PRUDENCE: IL NE FAUT PAS ESSAYER DE FAIRE ROULER LE RÉFRIGÉRATEUR POUR L'ENLEVER DE LA PALETTE.

- Support blocks on the bottom of the refrigeration case must be removed before the refrigerator is taken off the skid or damage will occur. Carefully, tilt refrigerator and slide blocks out from beneath.
- Remove toekick, set aside for final installation.
- Lift the refrigerator off the skid with an appliance dolly. Handle from the sides.

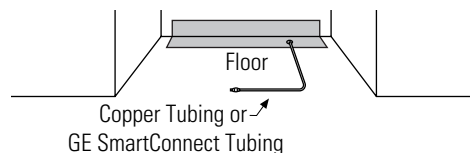
STEP 2 INSTALL WATER LINE

- A cold water supply is required for automatic icemaker operation. The water pressure must be between 40 and 120 p.s.i.
- Route 1/4" OD copper or GE SmartConnect™ plastic tubing between house cold water line and the water connection location.
- Tubing should be long enough to extend to the front of the refrigerator. Allow enough tubing to accommodate bend leading into the water line connection.

NOTE: The only GE approved plastic tubing is supplied in the GE SmartConnect™ Refrigerator Tubing kits. Do not use any other plastic water supply line because the line is under pressure at all times. Other types of plastic may crack or rupture with age and cause water damage to your home.

GE SmartConnect™ Refrigerator Tubing Kits are available in the following lengths:

- .6 m WX08X10002
- 1.8 m WX08X10006
- 4.6 m WX08X10015
- 7.6 m WX08X10025



Shut off the main water supply.

Turn on the nearest faucet long enough to clear the line of water.

- Install a shut-off valve between the icemaker water valve and cold water pipe in a basement or cabinet. The shut-off valve should be located where it will be easily accessible.
- Turn on the main water supply and flush debris.

Run about a quart of water through the tubing into a bucket. Shut off water supply at the shut-off valve.

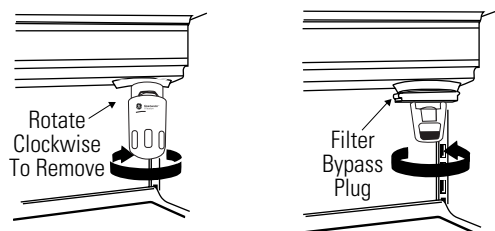
NOTE: Saddle type shut-off valves are included in many water supply kits. Before purchasing, make sure a saddle type valve complies with your local plumbing codes.

Installation Instructions

STEP 2A INSTALLATION WITH HOUSEHOLD WATER FILTRATION SYSTEMS

Skip this step if you do not have a household water filtration system.

If the water supply to the refrigerator is from any household water filtration system, the filter cartridge should be removed. For better ice and water performance, remove the filter and install the filter bypass plug.



STEP 3 INSTALL SIDE PANELS

Skip this step when not using side panels

If you are using 6 mm side panels, they should be inserted into the case trim. Fasten the panels to the refrigerator with stick-on hook and loop fastener strips before setting refrigerator in place.

STEP 4 INSTALL ANTI-TIP BRACKETS

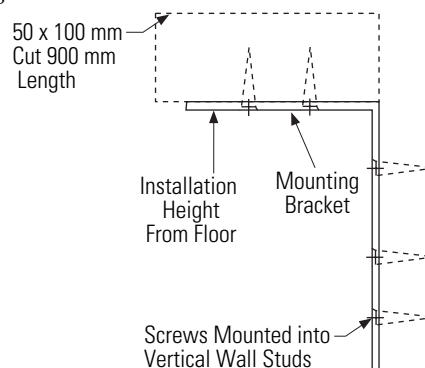
WARNING: ANTI-TIP PRECAUTIONS

The refrigerator is top-heavy and must be secured to prevent the possibility of tipping forward.

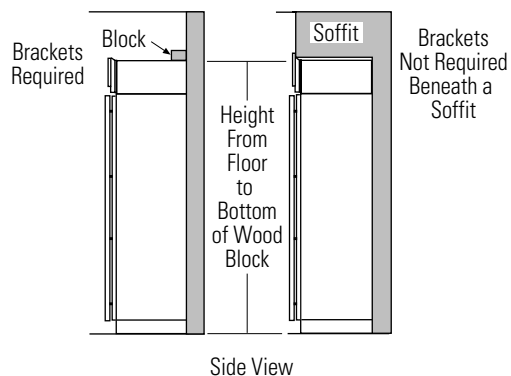
ATTENTION: PRECAUTIONS CONTRE LES BASCULEMENTS

Le réfrigérateur est beaucoup plus lourd en haut et il faut le maintenir en place pour éviter la possibilité de son basculement vers l'avant.

- Cut a 50 mm x 100 mm x 900 mm timber block. Secure the block to the mounting brackets provided using 6 mm wood screws.



- Secure the bracket with timber block to the back wall so that it is 2134 mm (or your installation height) from the finished floor. Use 6 mm wood screws.



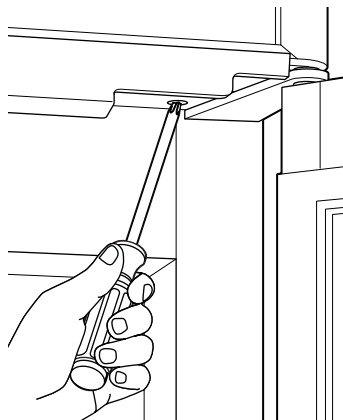
- Screws must penetrate at least 25 mm into vertical wall studs.

Important Note: When the refrigerator is installed under a soffit or if there is not enough height for this method of security, brackets cannot be used. Proceed to step 6 to level the refrigerator and then to step 7 to secure refrigerator to cabinets. The refrigerator must be secured to prevent tipping.

Installation Instructions

STEP 5 OPEN GRILLE PANEL, CONNECT POWER

The grille panel is secured to prevent access to the components. Release the grille panel security screws for installation of the additional anti-tip screws, access to the power cord and to install the custom panel. The grille panel security screws must be reinstalled when these steps are completed.

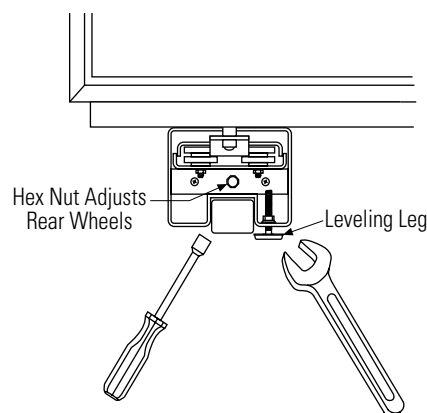


- Open both doors.
- Insert a #2 Phillips screwdriver into the openings on each side, below the top trim. Remove the grille panel security screws and set aside.
- Raise the grille panel.
- Remove the access cover at the top back side of the refrigerator.
- Plug power cord into the receptacle.
- Push the refrigerator back into the opening about half way. Reach into the opening at the back and grasp the power cord. Pull the power cord into the opening as you gently push the refrigerator back against the wall. Push with hands against the front corners of the refrigerator.

STEP 6 LEVEL REFRIGERATOR

All models have 4-point leveling. The front is supported by leveling legs, the rear is supported by adjustable wheels. Both are accessible from the front of the refrigerator.

- To level the back of the refrigerator, turn the 7/16" hex nut located above the front wheels. Turn clockwise to raise or counterclockwise to lower the refrigerator.
- For front leveling, use a 1-1/4" open-end wrench.
- Adjust height of refrigerator to match installation cutout opening 2121 mm to 2146 mm. The refrigerator should be level and plumb with cabinetry.



CAUTION:

The rear leveling wheels and front leveling legs are limited to a maximum height adjustment of 25 mm. If the installation requires more than 2146 mm height, the installer should elevate the refrigerator on a sheet of plywood or runners. Cabinetry trim could also be added across the top of the opening to shorten the opening. **If you attempt to raise the refrigerator more than 25 mm, you will damage the front leveling legs and the rear leveling wheels.**

PRUDENCE

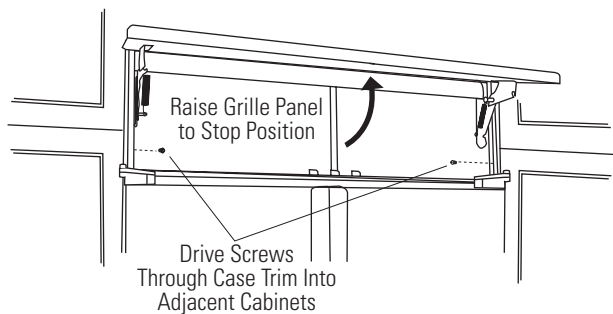
Les roues de nivellement arrière et les pattes de nivellement avant permettent un réglage maximal de 25 mm. Si l'ouverture pour le réfrigérateur a une hauteur supérieure à 2,15 m, l'installateur doit élever le réfrigérateur sur une feuille de contre-plaqué ou des glissières. Il est également possible d'ajouter des baguettes de finition des placards sur le haut de l'ouverture afin de la réduire. **Lever le réfrigérateur de plus de 25 mm endommage les pattes de nivellement avant et les roues de nivellement arrière.**

Installation Instructions

STEP 7 SECURE REFRIGERATOR TO CABINETY

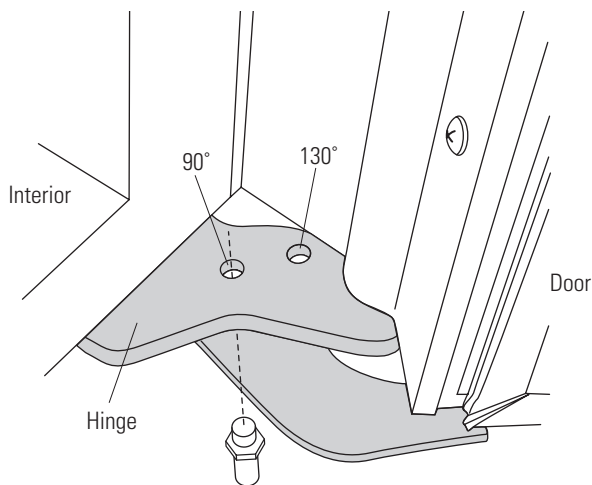
Whenever possible, perform this step for anti-tip security, or when anti-tip brackets cannot be used. **The refrigerator must be secured to prevent tipping.**

- Raise the grille panel to access case trim.
- Drill hole in trim and drive screw through the trim into adjacent cabinet.
- Follow the same procedure on the opposite side.



STEP 8 ADJUST DOOR SWING

NOTE: This refrigerator has a 2-position door stop. When space does not allow the door to swing open fully to 130°, you may change the door swing to a 90° opening. **Skip this step if door opening is satisfactory for your installation situation.**

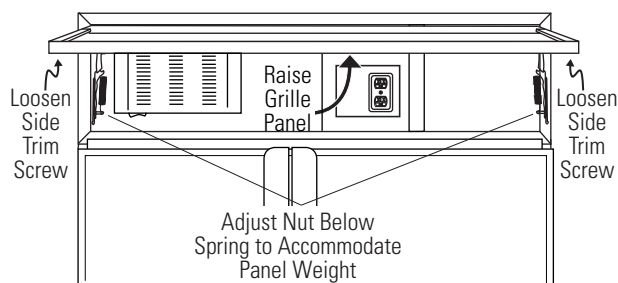
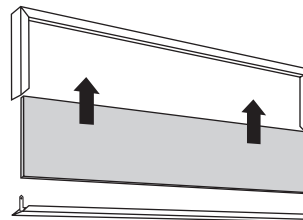


- Open the door to view the bottom hinge. Note the door stop pin locations. The pin is factory installed in the 130° position.
- Close the door. From below, use pliers to unscrew the door stop and reinstall into the 90° position.

STEP 9 INSTALL GRILLE PANEL

To insert framed or overlay panel into the grille:

- Raise the grille panel to stop position.

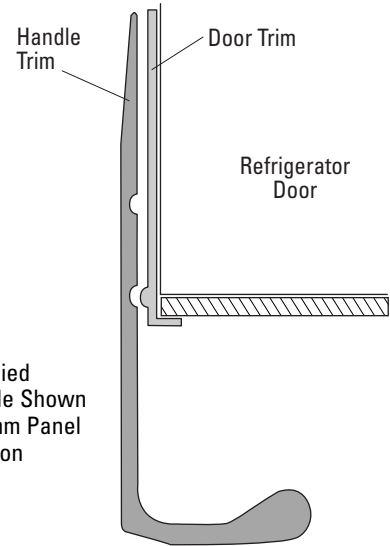
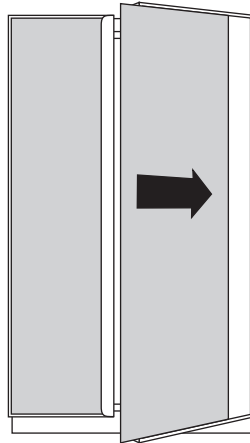
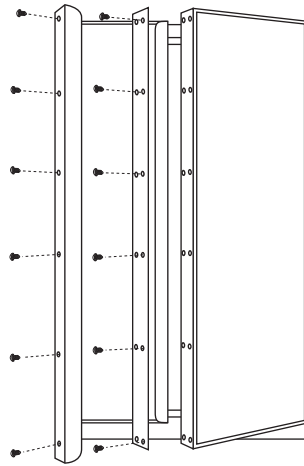


- Loosen screws on side trim behind frame. Remove bottom trim.
- Slide panel over the metal backer panel and into the trim.
- If necessary, tap with a wood block until panel slips under the top trim piece.
- Reassemble bottom trim. Tighten screws.
- Adjust the hinge spring to accommodate the panel weight, if necessary.

Installation Instructions

STEP 10 INSTALL FRAMED PANELS

Go to Step 10A for Overlay Panels

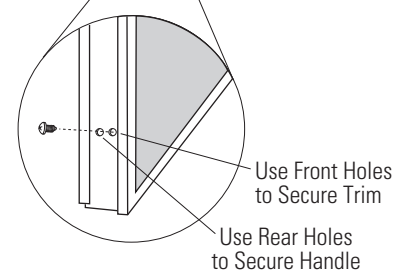
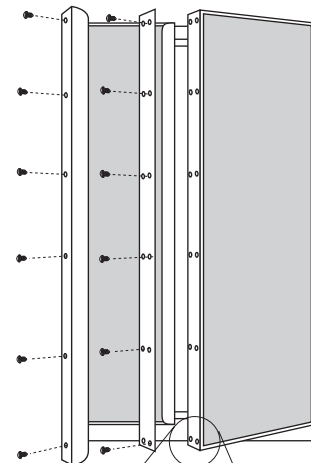
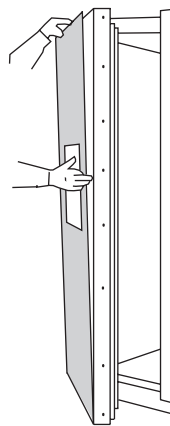


Install door panels:

- Open door to 90°. Remove the 6 Phillips head screws from the door handle.
- Remove handle. Retain all screws.
- Remove 6 screws holding trim, lift off trim. Retain screws.
- Slide framed panel into the door trim.

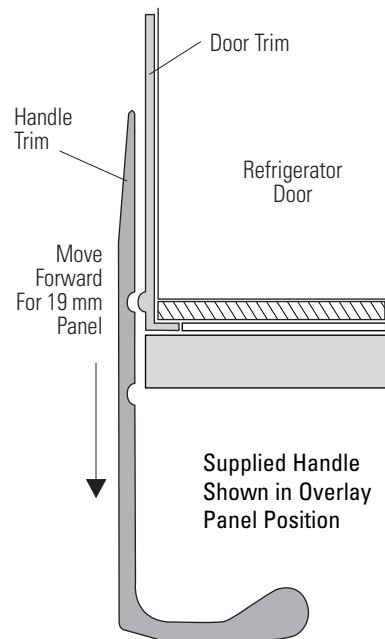
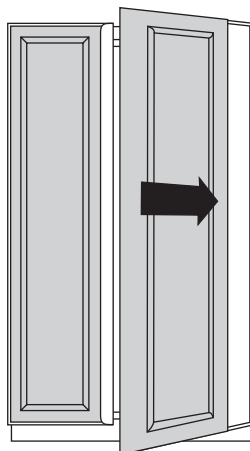
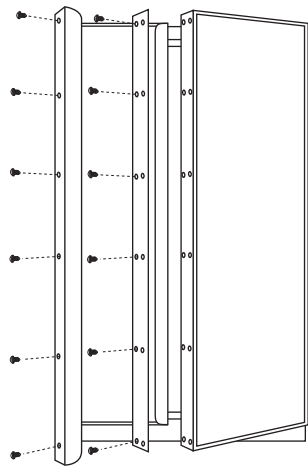
Dispenser Models Only:

- The dispenser controls protrude beyond the face of the freezer door. To avoid damage to the dispenser, the trim at the top of the door should be removed.
 - Remove the screws holding the top trim in place.
 - Place the freezer panel into the bottom channel and slide into the hinge side trim.
 - Reinstall the top trim piece with screws.
-
- There are two sets of holes in the handle side trim. Replace handle side trim by installing the original screws in the FRONT screw holes.
 - Secure the handle to the door using the REAR screw holes.
 - Follow the same procedures to install the opposite panel.
 - Check to be sure handles are evenly aligned with each other at the top. To adjust, loosen handle screws and slide up or down. Tighten screws.



Installation Instructions

STEP 10A INSTALL OVERLAY PANELS



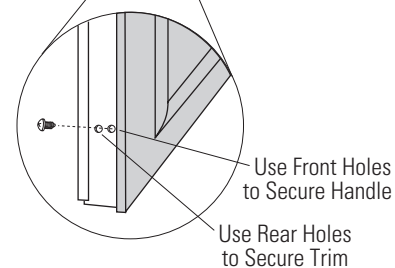
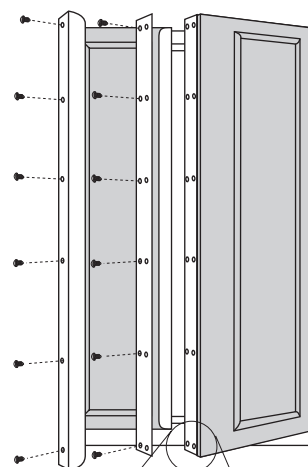
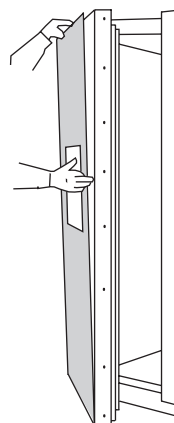
Install door panels:

- Open door to 90°. Remove the 6 Phillips head screws from the door handle.
- Remove handle. Retain all screws.
- Remove 6 screws holding trim, lift off trim. Retain screws.
- Slide overlay panel into the door trim.

Dispenser Models Only:

- The dispenser controls protrude beyond the face of the freezer door. To avoid damage to the dispenser, the trim at the top of the door should be removed.
- Remove the screws holding the top trim in place.
- Place the assembled freezer panel into the bottom channel and slide into the hinge side trim.
- Reinstall the top trim piece with screws.

- There are two sets of holes in the handle side trim. Replace handle side trim by installing the original screws in the REAR screw holes.
- Secure the handle to the door using the FRONT screw holes.
- Follow the same procedures to install the opposite panel.
- Check to be sure handles are evenly aligned with each other at the top. To adjust, loosen handle screws and slide up or down. Tighten screws.



Custom handles

If you are using custom handles, the handle must be properly secured to the panel before sliding the panel into the trim.

- The cabinet manufacturer will supply the custom handle and hardware.

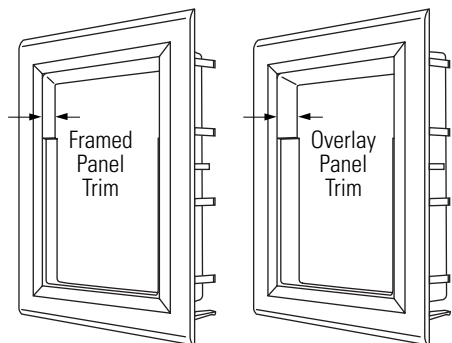
- Secure the door trims using both the FRONT and REAR screw holes. Use pan head screws to secure the trim. A package of 12 extra pan head screws can be found in the literature package. Discard supplied handles.

Installation Instructions

STEP 11 INSTALL DISPENSER TRIM

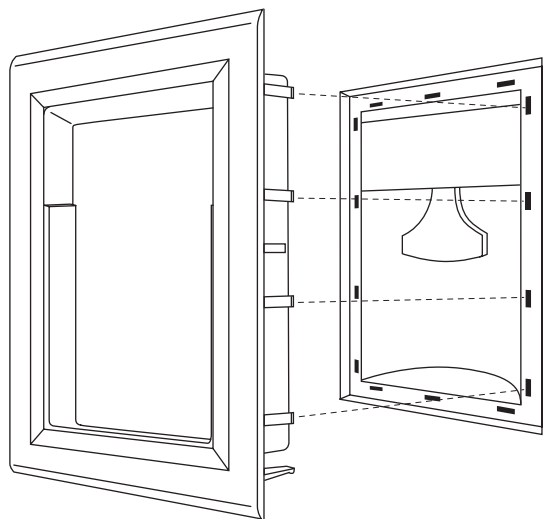
Skip this step if you are installing a stainless steel wrapped refrigerator.

There are two dispenser trims shipped with your refrigerator. Select the appropriate trim for your application.



Compare the dispenser trims. Note that the inside depth of the frames are different. Choose the trim with less depth for framed panels, choose the deeper one for overlay panels.

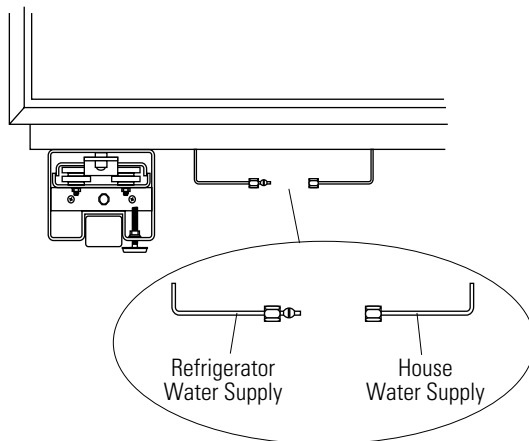
Dispenser trim fit over the custom panel depends on correct panel thickness. See pages 7 and 8 for panel construction information.



- Press and snap the dispenser trim into the dispenser recess on the refrigerator door.

If an excessive gap exists around the dispenser trim or if the panel fits loosely in the door frame, foam tape may be applied to help improve the fit. Remove the trim and panel and apply foam tape to the door around the dispenser and in the corners.

STEP 12 CONNECT WATER SUPPLY



- Locate and bring tubing to the front of the cabinet.
- Turn the water on to flush debris from line. Run about a litre of water through tubing into a bucket, then shut-off water.

Copper Tubing:

- Slip a 1/4" nut and ferrule (provided) over both ends of the copper tubing. Insert tube into the union fitting on the unit and tighten nut to union.
- Turn on the water to check for leaks.

GE SmartConnect™ Tubing:

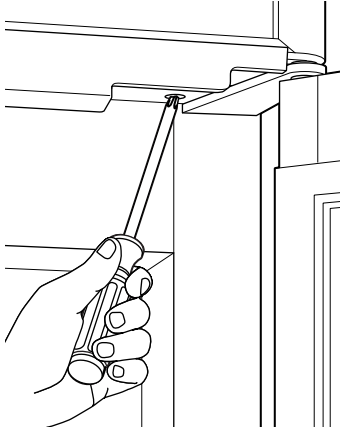
- Insert the molded end of the tubing into the refrigerator connection. Tighten the compression nut until it is just hand tight.
- Tighten one additional turn with a wrench. Overtightening can cause leaks!
- Turn on the water to check for leaks.

Note: Make sure excess tubing length does not interfere with toekick installation.

Installation Instructions

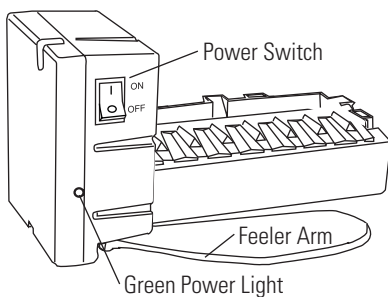
STEP 13 CHECK POWER, SECURE GRILLE PANEL

- Check to be sure the power cord is plugged into the receptacle.



- Check to make sure power to refrigerator is on by opening refrigerator door to see if interior lights are on.
- Close grille panel. The grille panel must be secured to prevent access. Reinstall grille panel security screws on each side of the refrigerator.

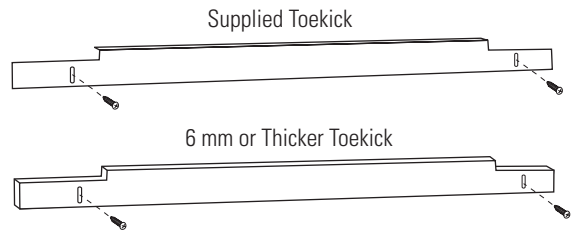
STEP 14 START ICEMAKER



- Flip the switch to I (ON). The icemaker will begin operation automatically.
- Be sure nothing interferes with the sweep of the feeler arm.
- Discard the first full bucket of ice cubes.
- To turn the icemaker off, set the switch to O (OFF).

STEP 15 INSTALL TOEKICK

- Locate the supplied toekick (shipped taped to the side of the refrigerator). Install with 2 screws provided, adjust to desired height and tighten screws.
- A custom toekick can be installed to match or complement the surrounding cabinetry. Use the supplied toekick as a template to cut the shape.

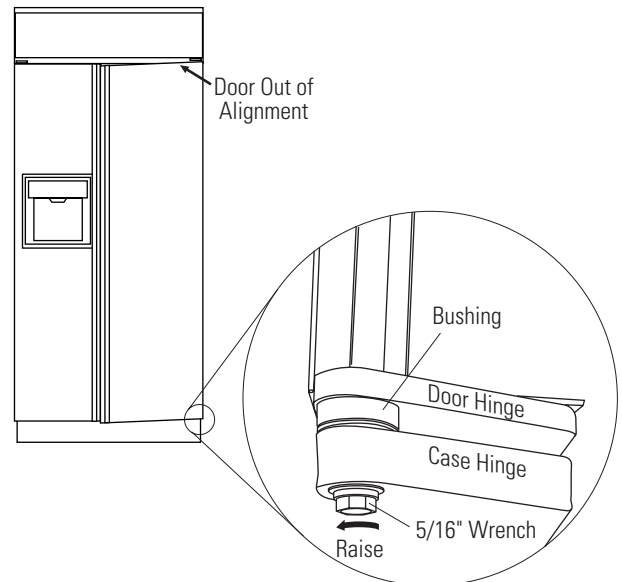


INSPECT FINAL INSTALLATION

Check door alignment

Stand back away from the refrigerator to inspect the final installation.

- Check to be sure handles are evenly aligned with each other at the top. To adjust, loosen handle screws and slide up or down. Tighten screws.
- During shipping or the addition of heavy door panels may have caused the doors to move slightly out of alignment.



- If necessary, the fresh food door may be adjusted up or down to align with the freezer door.
- Use a 5/16\" wrench to adjust the hinge pin as shown.

Notes

NOTE: While performing installations described in this book, safety glasses or goggles should be worn.

NOTE: Product improvement is a continuing endeavor at General Electric. Therefore, materials, appearance and specifications are subject to change without notice.



Monogram®

Pub. No. 49-60302
Dwg. No. 197D5883P001

12-03 JR
12008-00