

Amana

Bottom Freezer Refrigerator Owner's Manual

BX518V

English	1
Español	18
Français	37

Keep these instructions for future reference. Be sure this manual stays with refrigerator.

Contents

Electrical Requirements	2
Model Identification	2
Service	3
Asure™ Extended Service Plan	3
Parts and Accesories	3
Proper Disposal of Your Refrigerator	3
Installation Instructions	3
Space Requirements	3
Leveling Refrigerator	3
Door Reversal	4
Connect ice maker water supply line (some models)	5
Controls	6
Fresh Food and Deepfreeze™ Controls	6
Setting Controls	6
Installation Checklist	7
Fresh Food Features	8
Fresh Food Shelves	8
Adjustable Deli Drawer™ (some models)	8
Garden Fresh™ Crisper	8
Storage Rack (some models)	9
Covered Storage Bucket (some models)	9
Dairy Center (some models)	9
Door Buckets	9
Tall Package Retainer	9
Door Shelves	10
Adjustable Divider (some models)	10
Bottle Holder	10
Deepfreeze™ Features	10
Frost-Free System	10
Automatic Ice Maker (some models)	10
Ice Service Rack (some models)	10
Slideout Shelf (some models)	11
Vertical Shelf Divider (some models)	11
Wire Shelf (some models)	11
Wire Basket (some models)	11
Ice Bin (some models)	11
Care and Cleaning	12
General Cleaning	12
Adhesives	12
Door Gaskets	12
Condenser Coils	12
Glass Shelves	12
Odor Removal	12
Light Bulb Replacement	13
Vacation Tips	13
Energy Tips	13
Normal Operating Sounds	14
Before Calling For Service	15
Warranty	17
Español	18
Français	37

Note:

Translation may sometimes cause variations in meaning. In all cases where meaning varies, the most accurate meaning will be the English version of this document.

Electrical Requirements



Recognize this symbol as a safety precaution.



WARNING

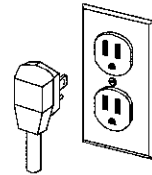
To avoid electrical shock which can cause severe personal injury or death do not cut or remove the round grounding prong from the plug.

Refrigerator must be grounded at all times. Do not remove warning tag from power cord.

Do not use a two-prong adapter. Do not use an extension cord.

Electrical Grounding Instructions — This refrigerator is equipped with a three-prong (grounding) plug for protection against possible shock hazards. If you encounter a two-prong receptacle, contact a qualified electrician and have the two-prong wall receptacle replaced with a properly grounded three-prong wall receptacle in accordance with the National Electrical Code.

Refrigerator is designed to operate on a separate 103 to 126 volt, 15 amp., 60 cycle line.



Model Identification

Thank you for purchasing this Amana® refrigerator. Please read this Owner's Manual thoroughly. This manual provides proper maintenance information. Any questions, call the Consumer Affairs Department at 1-800-843-0304 inside U.S.A. and 1-319-622-5511 outside the U.S.A.

Complete registration card and promptly return. If registration card is missing, call the Consumer Affairs Department.

When contact Amana, provide product information. Product information is on the serial plate, located on (upper left corner, ceiling) of Fresh Food section. Record the following information.

Model Number: _____

Manufacturing Number: _____

S/N or Serial Number: _____

Date of Purchase: _____

Dealer's name and address: _____

For more information visit our website
www.amana.com

Service

Keep a copy of sales receipt for future reference or in case warranty service is required. Any questions, or to locate an authorized servicer, call 1-800-NAT-LSVC (1-800-628-5782) inside U.S.A. 319-622-5511 outside U.S.A. Warranty service must be performed by an authorized servicer. Amana also recommends contacting an authorized servicer if service is required after warranty expires.

Asure™ Extended Service Plan

Amana offers long-term service protection for this new refrigerator. Asure™ Extended Service Plan is specially designed to supplement Amana's strong warranty. This plan covers functional parts, labor, and travel charges. Call 1-800-528-2682 for information.

Parts and Accessories

Purchase replacement parts and additional accessories (e.g. refrigerator shelves) over the phone. To order accessories for your product, call 1-800-843-0304 inside U.S.A. or 319-622-5511 outside U.S.A.

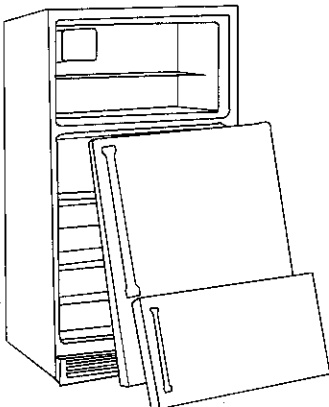
DANGER

Proper Disposal of Your Refrigerator

IMPORTANT: Child entrapment and suffocation are not problems of the past. Junked or abandoned refrigerators are still dangerous—even if they will sit for "just a few days." If you discard an old refrigerator, please follow the instructions below to help prevent accidents.

BEFORE YOU THROW AWAY YOUR OLD REFRIGERATOR OR FREEZER:

- Take off the doors.
- Leave the shelves in place so that children may not easily climb inside.



Installation Instructions

Proper installation will ensure this refrigerator operates most efficiently.

Space Requirements

WARNING

Keep flammable materials and vapors, such as gasoline, away from refrigerator. Failure to do so can result in death, explosion, fire, or burns.

- To ensure proper ventilation for your refrigerator, allow for a ½"(1.27 cm) space at the top of your refrigerator.
- If your refrigerator has an ice maker, make sure you leave some extra space at the back to allow for the water line connection. The refrigerator can be flush with the back wall if you do not have an ice maker installed.
- If you are installing your refrigerator next to a fixed wall, leave 2½"(6.4 cm) minimum on hinge side (depending on your model) to allow for the door to swing open 90°.

NOTE: Do not install the refrigerator near an oven, radiator, or other heat source. Do not install the refrigerator in a location where the temperature will fall below 55°F (13°C).

Leveling Refrigerator

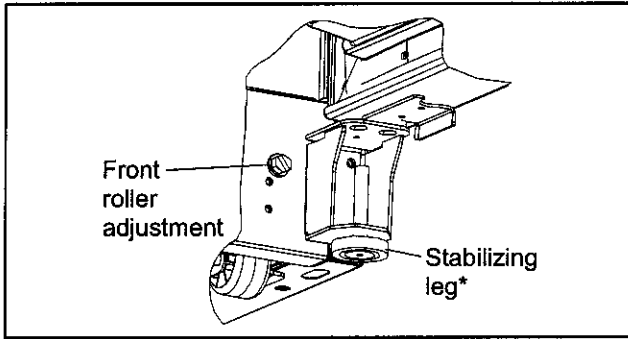
CAUTION

Protect soft vinyl or other flooring with cardboard, rugs or other protective material to avoid property damage.

Some installations may require door reversal to achieve full door swing. If so, proceed to "Door Reversal" section before leveling your refrigerator.

If your refrigerator requires ice maker water supply connection, proceed to "Connect ice maker water supply" section on page 6 before leveling your refrigerator.

1. Plug in power cord.
2. Move refrigerator into final location.
3. Level refrigerator using a level placed on top of the refrigerator.
 - Remove toe grille. Grille snaps off.
 - Turn roller adjustment screws to the right to raise cabinet, or to the left to lower cabinet. Front of refrigerator must be ¼" (6 mm), or ½ bubble on your level, higher than the back of your refrigerator.
 - Make sure refrigerator cabinet is level from side to side by adjusting left and right roller adjustment screw.
 - Turn stabilizing leg (some models) to the right until firmly against floor.



*only on some models

Door Reversal

Some installations may require door reversal to achieve full door swing. To reverse door swing direction perform the following steps:

Tools Required

Putty knife (blade covered by masking tape)

$\frac{5}{16}$ " hex nut driver

$\frac{3}{8}$ " hex nut driver

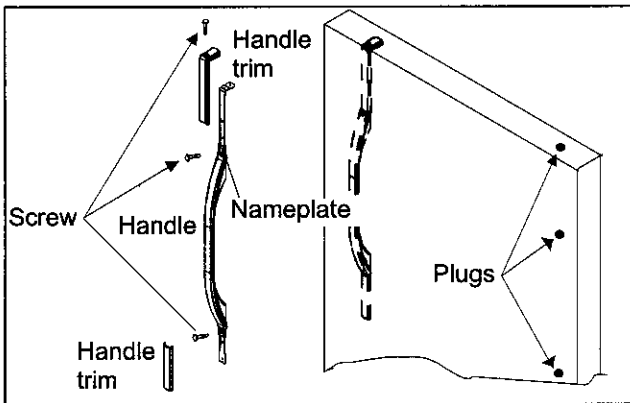
$\frac{1}{4}$ " hex nut driver

Phillips screwdriver

Blade screwdriver

1. Remove refrigerator handle.

- Remove handle screw from top handle trim. Pry up edge of handle trim using a putty knife with the blade covered with masking tape. Remove handle from door by removing 1 remaining mounting screw at each end of handle.
- Remove 1 plug from top hinge side of door and 2 from front hinge side of door. Replace 3 plugs in empty mounting holes.



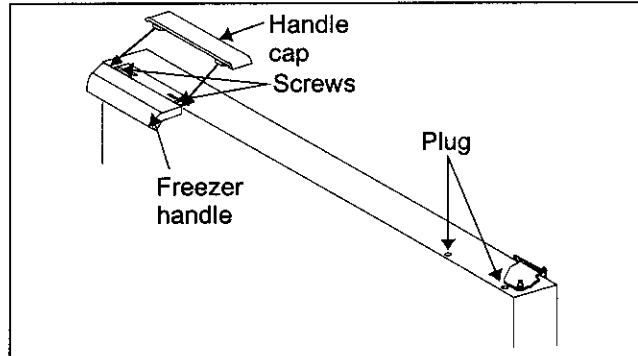
IMPORTANT: For plug removal requiring use of flat blade screwdriver or putty knife, **blade of tool must be covered with masking tape to avoid damage to refrigerator finish.** For plugs using a screwdriver- or nut driver- style head, use appropriate tool to avoid damage to plugs.

2. Remove freezer door handle.

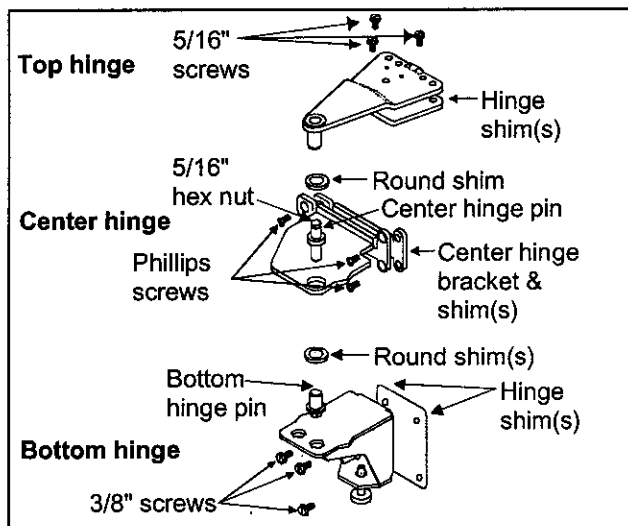
- Open freezer door 90°. Locate two notches on back of freezer handle. Insert flat screwdriver

blade or putty knife blade wrapped in masking tape. Pry up back edge of handle cap and remove from handle.

- Remove handle from door by removing two mounting screws.
- Remove 2 plugs from opposite side of freezer door and replace in empty mounting holes.

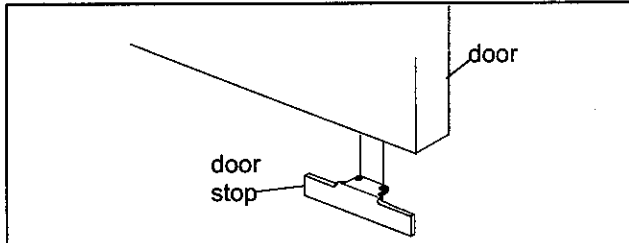


- Remove top hinge cover. Top hinge cover snaps off. Remove top hinge and hinge shim using hex nut driver. Remove and retain all shims.
- Remove refrigerator door by lifting door off of center hinge pin. Inspect door to verify all shims are with hinge pin.
- Remove center hinge pin using hex nut driver. Due to tight fit of pin, firm pressure may need to be applied. Remove and retain all shims.
- Remove freezer door by lifting door off bottom hinge. Verify all shims are with hinge pin.
- Remove center hinge bracket and hinge shim using Phillips screwdriver.
- Remove toe grille and bottom hinge cover. Both snap off.
- Remove bottom hinge and hinge shims using hex nut driver. Remove and retain all shims.



10. Reverse door stops.

- Locate door stop at bottom edge of refrigerator door. Unscrew two Phillips screws to remove door stop. Remove the two Phillips screws on opposite edge of door. Mount door stop on opposite side. Replace remaining screws in empty mounting holes.
- Repeat the above instructions to reverse door stop on freezer door.

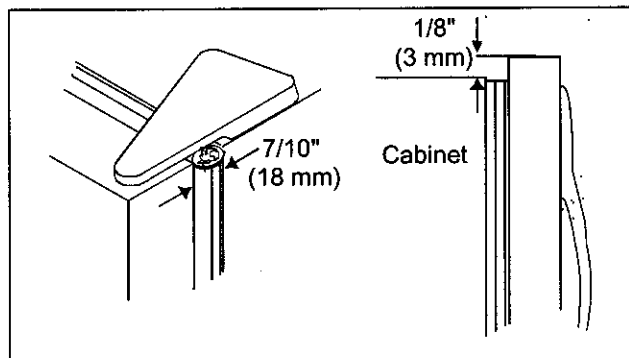


11. Reverse doors by performing the following steps:

- Remove plugs and screws in opposite side of refrigerator cabinet. Insert in holes left from hinge removal.

12. Mount bottom, center, and top hinges with shims on opposite side of cabinet.

- Replace bottom hinge on opposite side of cabinet. Verify hinge shims are in position before screwing into place. After placing hinge pin into outside hole, replace round shims. Some bottom hinges may have plugs in holes. In case of this, remove plug from outside hole, put pin in hole, and replace plug in empty hole.
- Replace center hinge bracket and hinge shim, and screw into place.
- Hang freezer door.
- Replace center hinge pin with hex nut driver. Make sure fit is tight. Replace round shims.
- Replace top hinge and shims, but allow enough clearance to slide hinge side of refrigerator door into place. Tighten down top hinge to securely hold door.
- Use a dime at top to space door $1\frac{1}{16}$ " (18 mm) from cabinet.
- Handle side of door should be approximately $\frac{1}{8}$ " (3 mm) higher than hinge side. **Door will become level when it is loaded with food.**



13. Mount refrigerator handle on opposite side of door using mounting screws removed in previous step.

14. Mount freezer handle to opposite side of door using mounting screws removed in previous step.

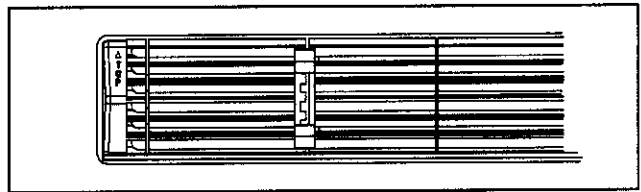
- Angle front edge of handle cap downward toward back lip of freezer handle. Verify bottom tab on freezer cap slides under rear lip of freezer handle. Snap rear edge of handle cap in place.

15. Check unit for proper leveling following instructions in section titled *Leveling Refrigerator*, starting with step 3.

16. Replace toe grille and bottom hinge cover.

Important: Look for arrow printed on inside of grille to insure proper placement.

- **Snap top portion into place first.** Press down on lower part of grille until bottom portion snaps into place.



17. Apply a thin coat of petroleum jelly to hinge side of gaskets on both the refrigerator and freezer door.

Connect ice maker water supply line (some models).

! DANGER

To avoid electrical shock which can cause severe personal injury or death. Disconnect power to refrigerator before connecting water supply.

! CAUTION

Observe the following to avoid property damage:

- Make sure water pressure to water valve is between 20 and 100 pounds per square inch.
- Tighten adapter fitting and nuts with pliers and wrenches. **Do not overtighten.**
- Check for water leaks and correct if necessary before returning refrigerator to normal location. After 24 hours check again for leaks.

Important

- Before connecting water supply, contact a plumber to connect copper tubing to household plumbing in compliance with local codes and ordinances.
- **DO NOT use piercing type or $\frac{3}{16}$ " saddle valves!** Both reduce water flow, become clogged with time and in addition may cause leaks if repair is attempted. The correct type of shut-off valve requires a $\frac{1}{4}$ " hole to be drilled in the water supply pipe before to valve attachment.
- Do not install copper tubing in area where temperature drops below 32°F (0°C).

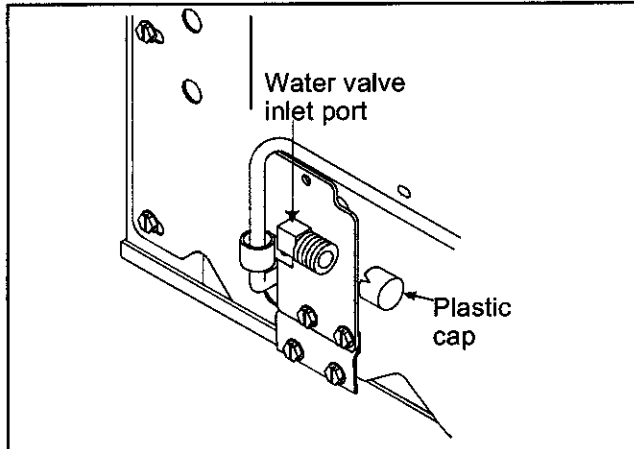
Controls

Materials Required

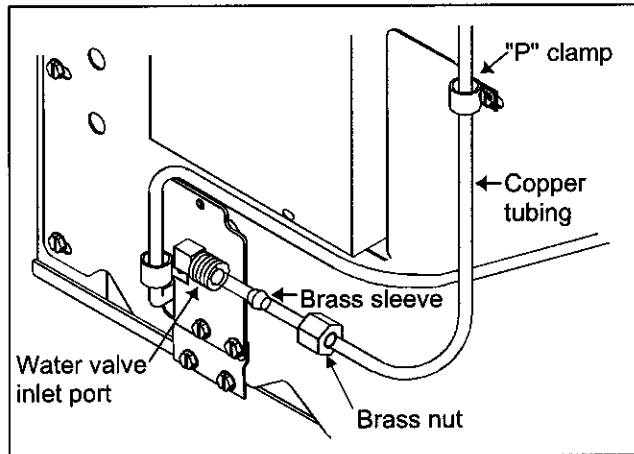
1/4" O.D. (6 mm) flexible copper tubing is required. Length of copper tubing must reach from water supply connection to water valve inlet port on back of refrigerator, plus additional 8 ft. (2 m) of tubing for a service loop. A service loop will allow refrigerator to be pulled away from the wall without disconnecting tubing.

Procedure

1. Remove plastic cap from water valve inlet port.



2. Place brass nut and brass sleeve on copper tubing. (Brass nut and sleeve are found in your literature packet.) Insert copper tubing into water valve inlet port. Connect brass nut on copper tubing to water valve inlet port. Make sure copper tubing is secure by pulling on copper tubing.

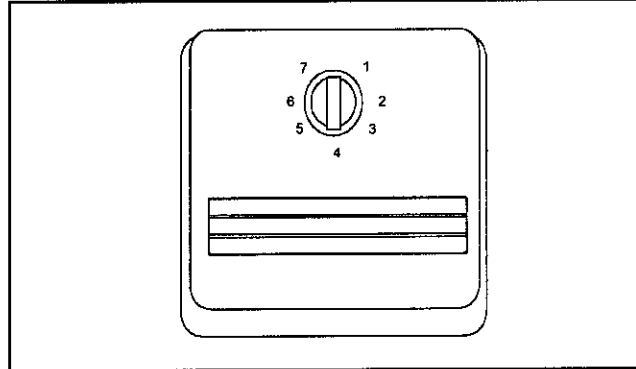


3. Turn on water supply to refrigerator and check for leaks. Correct any leaks at connection. Be careful not to overtighten connection.
4. Create a service loop using extreme care to avoid kinks. Secure copper tubing to refrigerator cabinet with a "P" clamp. It is important to secure copper tubing to refrigerator to avoid leaks when pushing refrigerator back into opening.

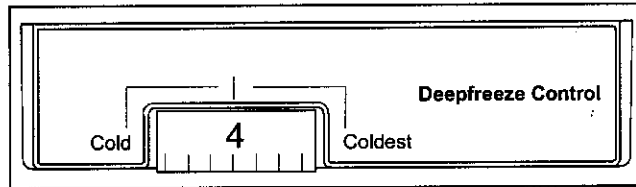
This refrigerator is designed to operate at normal household temperatures of 55° to 110°F (13° to 43°C).

Fresh Food and Deepfreeze™ Controls

Fresh Food control is located on upper rear wall of Fresh Food section.



Deepfreeze™ control is located on right front ceiling of freezer section.



Setting Controls

When Deepfreeze™ control is set to *OFF*, neither refrigerator nor freezer sections will cool. Initially, set both controls to 4. Wait 24 hours for refrigerator and freezer sections to stabilize temperatures. After 24 hours, adjust controls, one number at a time, as desired. One is warmest setting and seven is coldest.

Set controls precisely using a household thermometer with a temperature range between -5° to 50°F (-21° to 10°C).

Put thermometer snugly between frozen packages in freezer section. Wait 5–8 hours. If Deepfreeze™ temperature is not 0° to 2°F (-17° to -16°C), adjust Deepfreeze™ control one number at a time. Check again after 5–8 hours.

Put thermometer in a glass of water in middle of Fresh Food section. Wait 5–8 hours. If Fresh Food temperature is not 38° to 40°F (3° to 4°C), adjust Fresh Food control one number at a time. Check again after 5–8 hours.

Installation Checklist

This checklist is for personal records only.

Consumer	Installer	
-----------------	------------------	--

<input type="checkbox"/>	<input type="checkbox"/>	
--------------------------	--------------------------	--

Doors

Handles are solidly attached to doors.

<input type="checkbox"/>	<input type="checkbox"/>	
--------------------------	--------------------------	--

Handle side of door is 1/8" (3 mm) higher than hinge side. (Door lowers when loaded with food.)

<input type="checkbox"/>	<input type="checkbox"/>	
--------------------------	--------------------------	--

Doors seal completely to refrigerator cabinet.

<input type="checkbox"/>	<input type="checkbox"/>	
--------------------------	--------------------------	--

Leveling

Refrigerator is tilted 1/4" (6 mm) from front to rear.

<input type="checkbox"/>	<input type="checkbox"/>	
--------------------------	--------------------------	--

Toe grille is properly attached to refrigerator.

<input type="checkbox"/>	<input type="checkbox"/>	
--------------------------	--------------------------	--

Ice Maker

Water supply to refrigerator is turned on.

<input type="checkbox"/>	<input type="checkbox"/>	
--------------------------	--------------------------	--

Water leaks are not present at connection between household water supply and refrigerator. (After 24 hours, consumer should check connection for water leaks.)

<input type="checkbox"/>	<input type="checkbox"/>	
--------------------------	--------------------------	--

Ice maker arm is in *on* position for ice production. (It may take up to 24 hours for first harvest of ice.)

<input type="checkbox"/>	<input type="checkbox"/>	
--------------------------	--------------------------	--

Product Literature

Owner's manual is reviewed including the following information.

- product registration card
- Fresh Food and Deepfreeze® controls
- Humidity-controlled crispers
- normal operating sounds

Notes _____

_____	_____	_____	_____
Consumer's Signature	Installer's Signature	Installer's Company Name/Phone Number	Date

Fresh Food Features

Fresh Food Shelves

Shelves adjust to meet individual storage needs. Some models feature Spillsaver™ Shelves and Easy Glide™ shelves. Spillsaver™ Shelves hold minor spills for easier cleaning.

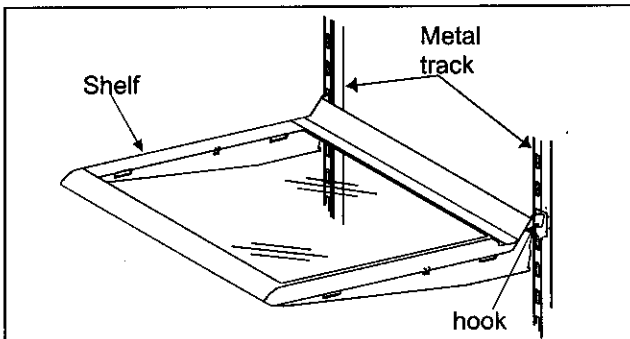
CAUTION

Make sure shelf is secure before replacing items on shelf to avoid property damage.

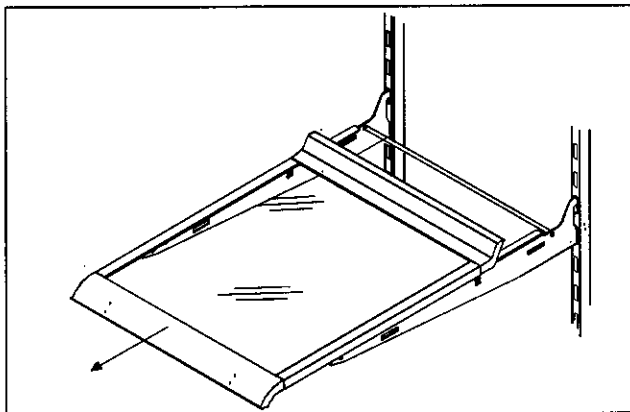
CAUTION

Handle tempered glass shelves carefully to avoid personal injury or property damage. Shelves may break suddenly if nicked, scratched, or exposed to sudden temperature change.

- Remove shelves by lifting up shelf front, releasing hooks from metal track, then pulling out.
- Replace shelves by inserting hooks into metal track and lowering front of shelf.



Easy Glide™ shelves pull forward for easy access to items in back.



Adjustable Deli Drawer™ (some models)

To clean or reposition deli drawer:

- Remove drawer and sleeve by lifting and pulling out. Refer to "Spillsaver™ Shelves" for instructions on removing and replacing shelf.
- Replace drawer by sliding in.

Garden Fresh™ Crispers

Garden Fresh™ crispers keep produce fresh longer. Wrap produce tightly. Do not wash produce before placing in crispers. Excess moisture could cause produce to spoil prematurely. Do not line crispers with paper towels. Paper towels retain moisture.

Garden Fresh™ crispers control is located below front shelf trim. Control adjusts humidity in crisper drawers. Slide control to *high* for produce with leaves such as lettuce, spinach or cabbage. Slide control to *low* for produce with skins such as cauliflower, corn or tomatoes.

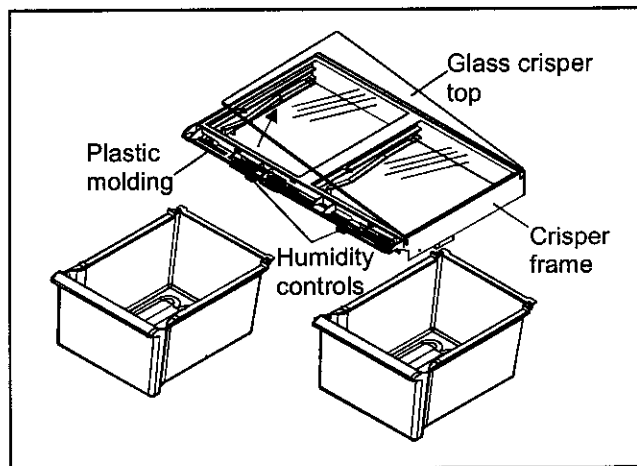
To clean or reposition crisper drawers, remove shelf and crisper drawers by completing the following steps:

1. Open left crisper.
 - For doors hinged on left, open right crisper.

CAUTION

Handle tempered glass shelves carefully to avoid personal injury or property damage. Shelves may break suddenly if nicked, scratched, or exposed to sudden temperature change.

2. Remove glass crisper top by gently pushing up from underneath. Tilt one end up and pull out.



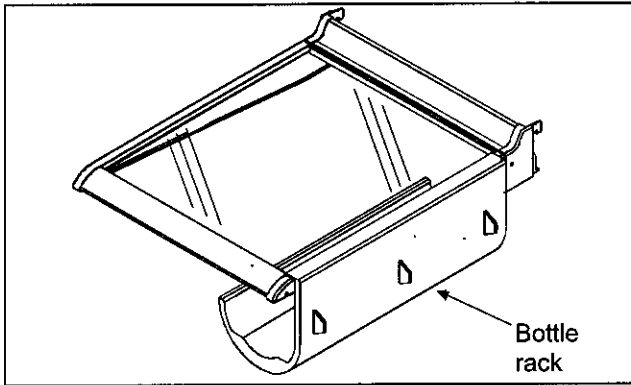
3. Remove left crisper drawer by lifting from front while supporting underneath and pulling out. For doors hinged on left, remove right crisper.
4. Remove opposite crisper drawer per step 3. If door restricts ability to remove drawer, remove drawer along with crisper frame per step 5.

5. Remove crisper frame by raising frame by front plastic molding and lifting free from grooves in the refrigerator cabinet rail assembly. Pull forward and out of unit.
6. Replace crispers and shelf by performing steps 2–5 in reverse order.

Storage Rack (some models)

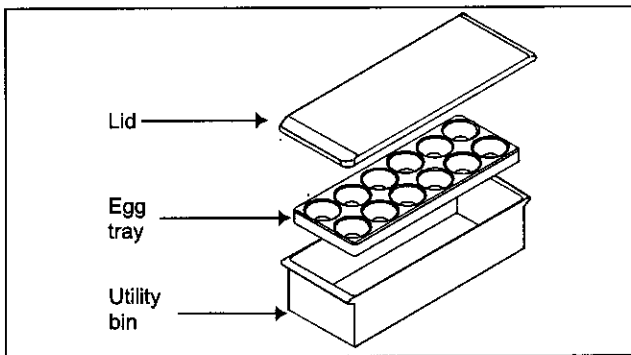
Storage rack provides convenient storage for a large bottle, eggs, etc.

- Hang rack by hooking over side of shelf.



Covered Storage Bucket (some models)

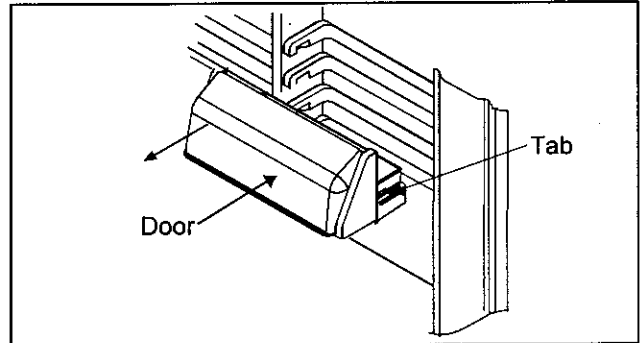
The covered storage bucket has a lid and removable egg tray. When tray is removed, bucket will accept standard egg carton, ice, etc.



Dairy Center (some models)

The dairy center provides convenient storage for butter, cheese, etc.

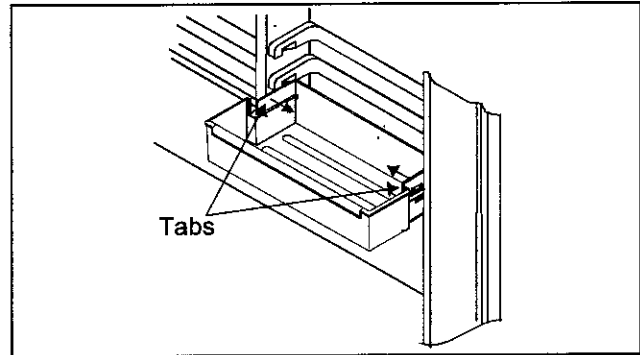
- Remove dairy center by lifting door, pushing tabs of shelf down on both sides, and pulling out.
- Replace dairy center by sliding in until tabs lock into place, then lower door.



Door Buckets

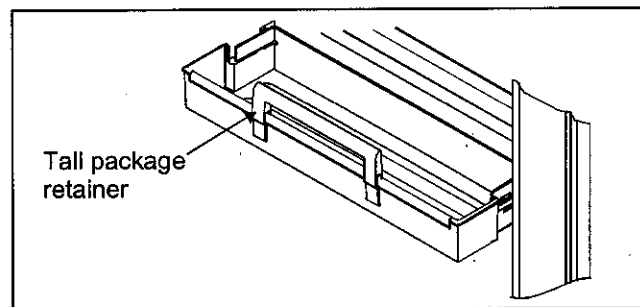
Door buckets adjust to meet individual storage needs.

- Remove door buckets by pushing tabs on both sides of shelves toward center and pulling bucket out.
- Replace door buckets by sliding in until tabs lock into place.



Tall Package Retainer (some models)

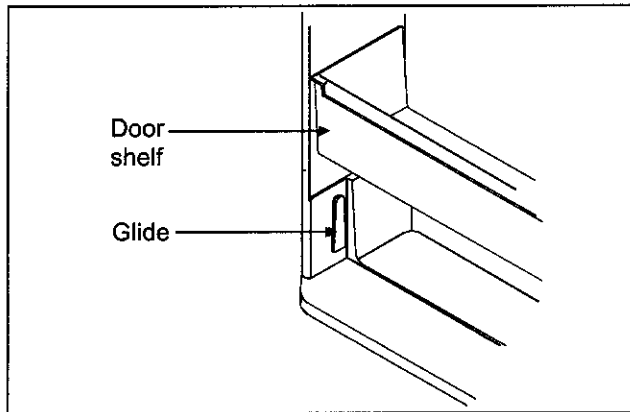
Tall package retainer keeps tall items secure. Retainer fits on front edge of any refrigerator door bucket or door shelf.



Deepfreeze™ Features

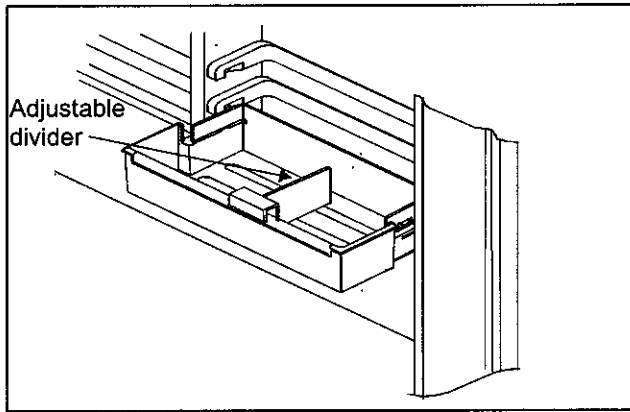
Door Shelves

- Remove door shelves by lifting ends and pulling out.
- Replace door shelves by placing shelf on glides and sliding down.



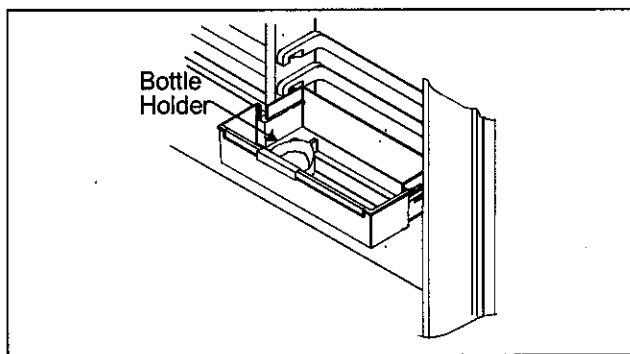
Adjustable Divider (some models)

Adjustable divider keeps items in place and adjusts to meet individual storage needs. Divider fits in any door bucket or door shelf.



Bottle Holder (some models)

Bottle holder keeps items in place and adjusts to meet individual storage needs. Bottle holder fits in any door bucket or door shelf.

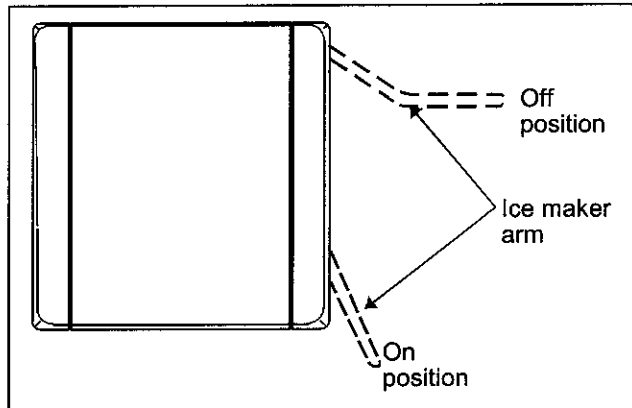


Frost-Free System

The Fresh Food and freezer sections are completely frost-free. Defrosting is automatic under normal conditions. Fresh Food and freezer sections never have to be defrosted.

Automatic Ice Maker (some models)

- Make sure ice bucket is in place and ice maker arm is down.



- After freezer section reaches normal temperature, the ice maker fills with water and begins operating. Allow 24–48 hours after installation before first harvest of ice. Ice maker produces 7 to 9 harvests of ice in a 24-hour period under ideal conditions.

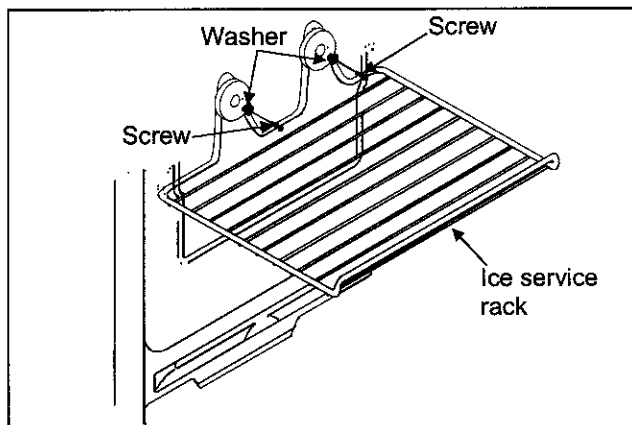
- After ice is formed, ice maker drops ice cubes into ice storage bucket. During ice production, ice maker arm raises and lowers. When ice storage bucket is full, ice maker arm turns ice maker off.

Note: Discard first 3 harvests of ice so any impurities left in the water line after installation are not consumed.

- If you wish to stop automatic ice production lift ice maker arm. A definite click is heard when proper position is reached. Ice maker arm will remain in that position until pushed down.

Ice Service Rack (some models)

Install ice service rack by placing ice service rack on washers and sliding down.





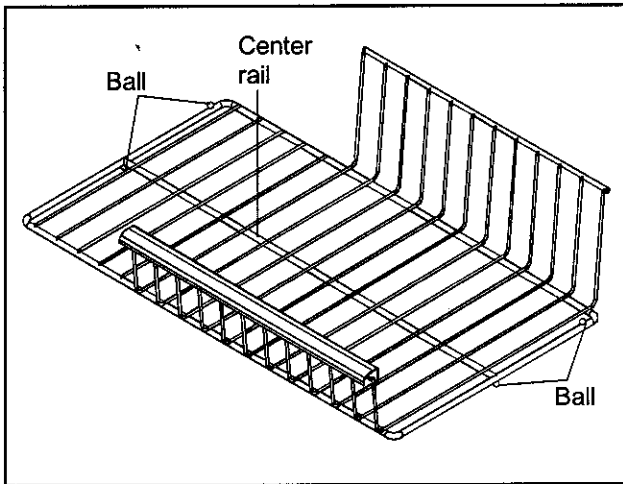
CAUTION

Make sure shelf is secure before placing items on shelf to avoid property damage.

Slideout Shelf (some models)

Slide out shelf pulls forward for easy access to items in back.

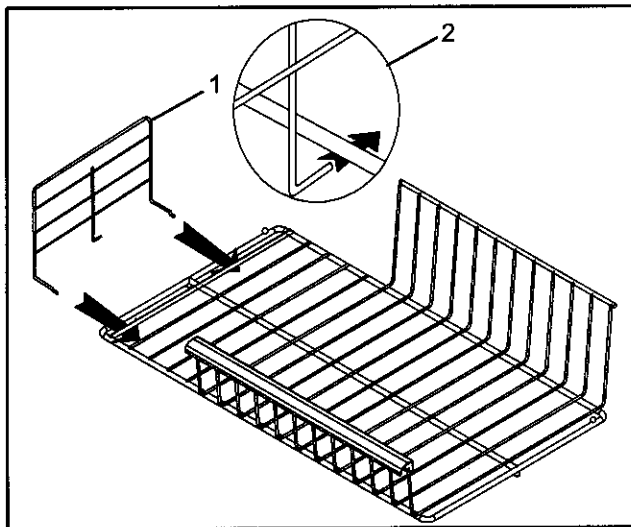
- Remove slideout shelf by sliding forward until ball point beneath center rail catches in molding groove.
- Grasp shelf by center rail, pull up, and remove.
- Slide in until ball point falls into molding groove.



Vertical Shelf Divider (some models)

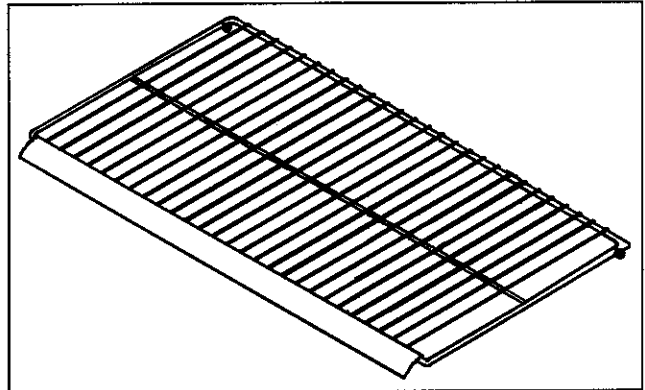
Install vertical shelf divider by completing the following steps:

1. Slide prongs of shelf divider beneath desired grill work, slightly off-center from center rail.
2. Press top of divider down and slide hook assembly beneath center rail.



Fixed Wire Shelf (some models)

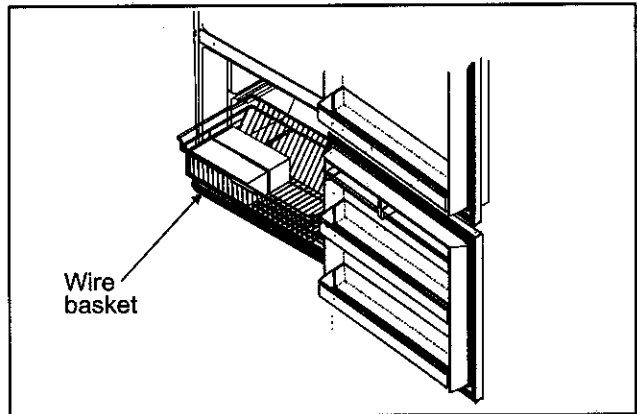
- Remove wire shelf by pulling out. A sharp tug may be necessary.
- Replace wire shelf by sliding in until back locks in place.



Wire Basket

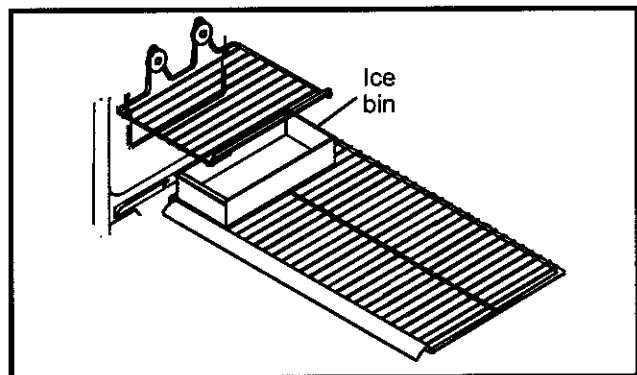
Wire basket slides out for easy access to items in back.

- Remove wire basket by lifting and pulling out.
- Replace wire basket by sliding in.



Ice Bin (some models)

Ice bin sits below the ice service rack on the wire freezer shelf.



Care and Cleaning



WARNING

Disconnect power to refrigerator before cleaning to avoid electrical shock which can cause severe personal injury or death. After cleaning, restore power.



CAUTION

Read and follow all manufacturer's cleaning directions to avoid personal injury or property damage.

General Cleaning

1. Wash surfaces and exterior with 4 tablespoons baking soda dissolved in 1 quart warm water and a soft, clean cloth.
2. Rinse surfaces and exterior with warm water. Dry surfaces with a soft, clean cloth.
3. DO NOT USE the following items:
 - abrasive or harsh cleaners, ammonia, chlorine bleach, etc.
 - concentrated detergents or solvents
 - metal scouring pads

These items can scratch, crack, and discolor surfaces.

4. Do not place buckets, shelves, etc., in dishwasher.

Adhesives

1. Remove adhesive residue from refrigerator surfaces by rubbing toothpaste into adhesive with fingers until adhesive loosens.
2. Rinse surface with warm water. Dry surface with a soft, clean cloth.

Door Gaskets

1. Clean door gaskets every 3 months according to general cleaning instructions. Clean any spills immediately.
2. Apply a light film of petroleum jelly to keep gaskets pliable.

Condenser Coils

Clean condenser coil behind toe grille every 3 months to ensure maximum performance of refrigerator.

Accumulated dust and lint may cause the following:

- reduced cooling performance
 - increased energy usage
 - premature part failure
1. Remove toe grille by holding ends and pulling away from refrigerator.
 2. Clean front surface of condenser coil with a vacuum cleaner hose nozzle.
 3. Replace toe grille by inserting clips in holes and snapping in.
 4. Raise stabilizing legs (some models) by turning counterclockwise.



CAUTION

Protect soft vinyl or other flooring with cardboard, rugs or other protective material to avoid property damage.

5. Pull refrigerator away from wall. Run a vacuum brush across grille on back of refrigerator.

Glass Shelves



CAUTION

Handle tempered glass shelves carefully to avoid personal injury or property damage. Shelves may break suddenly if nicked, scratched, or exposed to sudden temperature change.

Remove shelf by lifting front, releasing hooks from metal track then pulling out. Place shelf on a towel. Allow shelf to adjust to room temperature before cleaning.

Clean crevices by completing the following:

1. Dilute mild detergent and brush solution into crevices using a plastic bristle brush. Let sit for 5 minutes.
2. Spray warm water into crevices using faucet spray attachment.
3. Dry shelf thoroughly and replace shelf by inserting hooks into metal track and lowering it from the front.

Odor Removal

1. Remove all food and disconnect power to refrigerator.
2. Clean all interior surfaces including ceiling, floor, and walls according to general cleaning instructions above. Pay special attention to corners, crevices, and grooves. Include all drawers, shelves, and gaskets.
3. Connect power to refrigerator and return food to refrigerator. Wash and dry all containers. Wrap foods in tightly sealed containers to prevent further odor. After 24 hours, check if odor has been eliminated.

Complete steps 4–9 if odor has not been eliminated.

4. Place crispers on top shelf of refrigerator section. Pack refrigerator and freezer sections, including doors, with crumpled sheets of newspaper.
5. Place charcoal briquettes randomly throughout newspaper.
6. Close doors and let stand 24–48 hours.
7. Remove charcoal briquettes and newspapers.
8. Complete steps 2–3.

If odor is still not eliminated, contact a customer service representative with the number located in the Model Identification section.

Vacation Tips

Light Bulb Replacement

WARNING

Disconnect power to refrigerator before replacing light bulb to avoid electrical shock which can cause severe personal injury or death. After replacing light bulb, restore power.

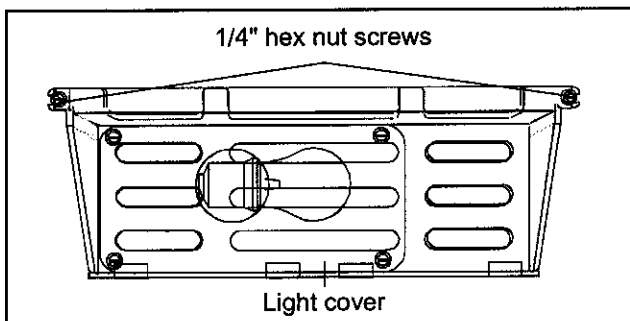
CAUTION

Observe the following to avoid personal injury or property damage.

- Allow light bulbs to cool
- Wear gloves when replacing light bulb.

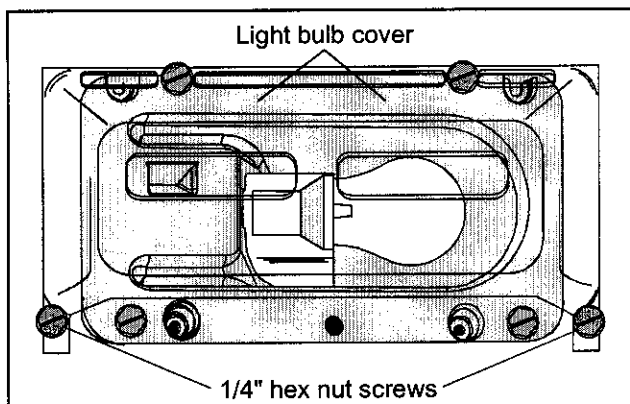
Fresh Food Light

- Remove light bulb cover by removing 1/4" hex nut screws. Replace with appliance bulb **no greater than 60 watts**.
- Replace light bulb cover by replacing 1/4" hex nut screws.



Freezer Light

- Remove light bulb cover by removing 1/4" hex nut screws. Replace with appliance bulb **no greater than 60 watts**.
- Replace light bulb cover by replacing 1/4" hex nut screws.



Complete the following steps for short vacations.

1. Remove perishable foods.
2. If an ice maker is installed, move ice maker arm to *Off* position. (See "Automatic Ice Maker" section page 12)

Complete the following steps for long vacations.

1. Empty refrigerator and freezer sections.
2. Unplug refrigerator.
3. Clean refrigerator and door gaskets according to General Cleaning instructions in "Care and Cleaning" section.
4. Prop doors open, so air can circulate inside.
5. If an ice maker is installed, turn off water supply to refrigerator and move ice maker arm to *Off* position. (See "Automatic Ice Maker" section page 12)

Energy Tips

This refrigerator is designed to be one of the most energy efficient refrigerators available. Reduce energy use by observing the following.

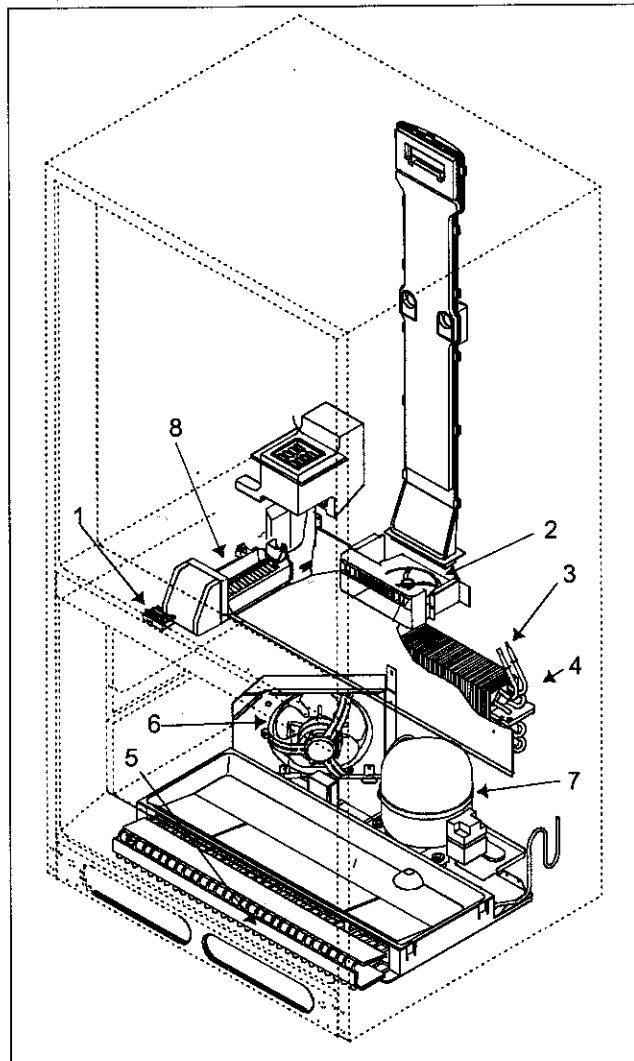
- Operate in normal household temperatures of 55° to 110°F (13° to 43°C) away from heat sources and direct sunlight.
- Set refrigerator, freezer, and temperature controlled meat drawer system controls no colder than necessary.
- Keep freezer section full.
- Keep door gaskets clean and pliable. Replace gaskets if worn.
- Keep condenser coils clean.

Normal Operating Sounds

This new refrigerator may be replacing a differently designed, less efficient or smaller refrigerator. Today's refrigerators have new features and are more energy efficient. As a result, certain sounds may be unfamiliar. These sounds are normal and will soon become familiar to you. They also indicate refrigerator is operating and performing as designed.

1. **Freezer control** clicks when starting or stopping compressor.
2. **Freezer fan** air rushes and whirs.
3. **Sealed system** (evaporator and heat exchanger) refrigerant flow gurgles, pops or sounds like boiling water.
4. **Defrost heater** sizzles, hisses or pops.
5. **Defrost timer** sounds like an electric clock and snaps in and out of defrost cycle.
6. **Condenser fan** air rushes and whirs.
7. **Compressor** has a high pitched hum or pulsating sound and cycles on and off.
8. **Ice cubes** from ice maker (some models) drop into ice bucket.
9. **Ice maker water valve hookup** (some models) --not shown here--buzzes when ice maker fills with water. This occurs whether or not refrigerator is connected to water supply. If refrigerator is not connected to water supply, stop sound by raising ice maker arm to *Off* position. Ice maker water valve hookup is located behind condenser fan in back of refrigerator.

Note: Foam insulation is very energy efficient and has excellent insulating capabilities. However, foam insulation is not as sound absorbent as previously used fiberglass insulation.



Before Calling For Service

Problem	Solution
Refrigerator does not operate.	<ul style="list-style-type: none"> • Make sure Deepfreeze® control is on. • Make sure refrigerator is plugged in. If not, firmly plug the cord into a live outlet with proper voltage. • Check fuse or circuit breaker. Plug in another item at that wall outlet. If outlet does not work, replace the fuse or reset the circuit. • If freezer control is on, light works but 2 fans and compressor are not operating, refrigerator may be in defrost cycle. Wait 40 minutes to see if refrigerator restarts.
Refrigerator still will not operate.	<ul style="list-style-type: none"> • Unplug refrigerator. Transfer food to another refrigerator or place dry ice in freezer section to preserve food. Call for service.
Food temperature appears too warm.	<ul style="list-style-type: none"> • See above sections. • Allow time for recently added warm food to reach Fresh Food or Deepfreeze® temperature. Adding food warms the refrigerator. It can take a few hours for the refrigerator to return to normal temperature. • Check gaskets for proper seal. Gaskets should seal tightly to cabinet. • Clean condenser coils. See “Condenser Coils” instructions in “Care and Cleaning” section. • Adjust Fresh Food and Deepfreeze® control. See “Setting Controls” instructions in “Controls” section. • Freezer or refrigerator light stays on. If light stays on, remove bulb and call service. • Return air vents behind crisper are blocked restricting airflow. Locate return air vent behind crispers and remove any debris that blocks vents or restricts airflow.
Chiller Fresh™ System temperature is too warm.	<ul style="list-style-type: none"> • Slide control to colder setting. • Adjust Deepfreeze® control to colder setting. See “Setting Controls” instructions of “Controls” section. • Verify Chiller Fresh System cap has been moved if drawer has been moved from left to right side of cabinet. See “Chiller Fresh System” section.
Food temperature is too cold.	<ul style="list-style-type: none"> • Clean condenser coils. See “Condenser Coils” instructions in “Care and Cleaning” section. • Adjust Fresh Food control. See “Setting Controls” instructions in “Controls” section. • Adjust Deepfreeze® control to warmer setting. See “Setting Controls” instructions in “Controls” section. Allow several hours for temperature to adjust. • Verify plastic cap is in place near Chiller Fresh™ System. See “Chiller Fresh™ System” section.
Refrigerator runs too frequently.	<ul style="list-style-type: none"> • It may be normal to maintain constant temperature. • Doors have been opened frequently or for an extended period of time. When the door is opened warm humid air is allowed into the refrigerator. The more the door is opened the more warm air the refrigerator must cool. • Allow time for recently added warm food to reach refrigerator or freezer temperature. It can take a few hours for the refrigerator to return to normal temperature. • Clean condenser coils. See “Condenser Coils” instructions in “Care and Cleaning” section. • Adjust Deepfreeze® control. See “Setting Controls” instructions in “Controls” section. • Check gaskets for proper seal. Gaskets should seal tightly to cabinet. • Freezer light stays on. If light stays on, remove bulb and call service • Make sure refrigerator is level. See “Leveling Refrigerator” section of Installation Instructions.

Problem	Solution
Water droplets form on inside of refrigerator.	<ul style="list-style-type: none"> • It is normal during high humidity periods or if doors have been opened frequently. • Wrap food tightly and wipe off damp containers prior to storing in the refrigerator to avoid moisture accumulation.
Water droplets form on outside of refrigerator.	<ul style="list-style-type: none"> • Check door seals for proper seal. Gaskets should seal tightly to cabinet. • It is normal during high humidity periods or if doors have been opened frequently.
Temperature controlled meat drawer or crisper drawer does not close freely (some models).	<ul style="list-style-type: none"> • Check for a package that may prevent drawer from closing properly. • Confirm drawer is in proper position. • Clean drawer channels with warm, soapy water. Rinse and dry thoroughly. • Apply a thin layer of petroleum jelly to drawer channels. • Confirm refrigerator is level.
Refrigerator has an odor.	<ul style="list-style-type: none"> • See "Odor Removal" instructions in "Care and Cleaning" section.
Refrigerator makes unfamiliar sounds or seems too loud.	<ul style="list-style-type: none"> • It may be normal. See "Normal Operating Sounds" section.
Ice cubes have an odor.	<ul style="list-style-type: none"> • See "Odor Removal" instructions in "Care and Cleaning" section. • Ice maker was recently installed. Discard first few batches of ice to avoid discolored or off-flavored ice. • Food has not been wrapped tightly in either refrigerator or freezer compartment. Rewrap foods since odors may migrate to the ice if food is not wrapped properly. • Discard ice and clean ice bucket or trays more frequently. Ice cubes are porous and absorb odors easily. • Water supply contains minerals such as sulfur. In some situations a filter may need to be installed to eliminate taste and odor problems.
Ice cubes stick together or "shrink".	<ul style="list-style-type: none"> • Empty ice cube bucket or trays more frequently. If used infrequently, ice cubes may stick together or shrink.
Ice maker is not producing ice.	<ul style="list-style-type: none"> • Water pressure may be to low or high. Ice maker requires a water pressure of 20-100 psi to function properly. • Confirm ice maker arm is down. See "Automatic Ice Maker" section. • Confirm household water supply is reaching water valve. Make sure the water valve shut off is fully turned on. • Confirm ice maker wiring harness is inserted completely in proper holes. • Check for kinks in copper or plastic tubing. Remove kinks or replace tubing. • Check electrical connections to water valve coil and connector block on refrigerator cabinet. • If a water filter has been installed on the water line outside the refrigerator, check the filter for clogs or improper installation of the filter.
Ice maker is not producing enough ice.	<ul style="list-style-type: none"> • Ice maker has just recently been installed or a large amount of ice has just been used. Wait 24 hours for ice production to begin and for ice maker to restock after emptied. • Confirm household water supply is reaching water valve. Make sure the water valve shut off is fully turned on. • Piercing type or $\frac{3}{16}$" saddle valve was used for hookup. Both reduce water flow and may become clogged with time. Replace these valves with correct type of saddle valve requiring $\frac{1}{4}$" hole to be drilled in water supply pipe prior to valve attachment. • Check for kinks in copper or plastic tubing. Remove kinks or replace tubing • Confirm freezer section is operating at proper temperature. Freezer must be cold enough to produce ice. See "Setting Controls" section.
Ice forms in inlet tube to ice maker.	<ul style="list-style-type: none"> • Check water pressure. Low water pressure causes valves to leak.