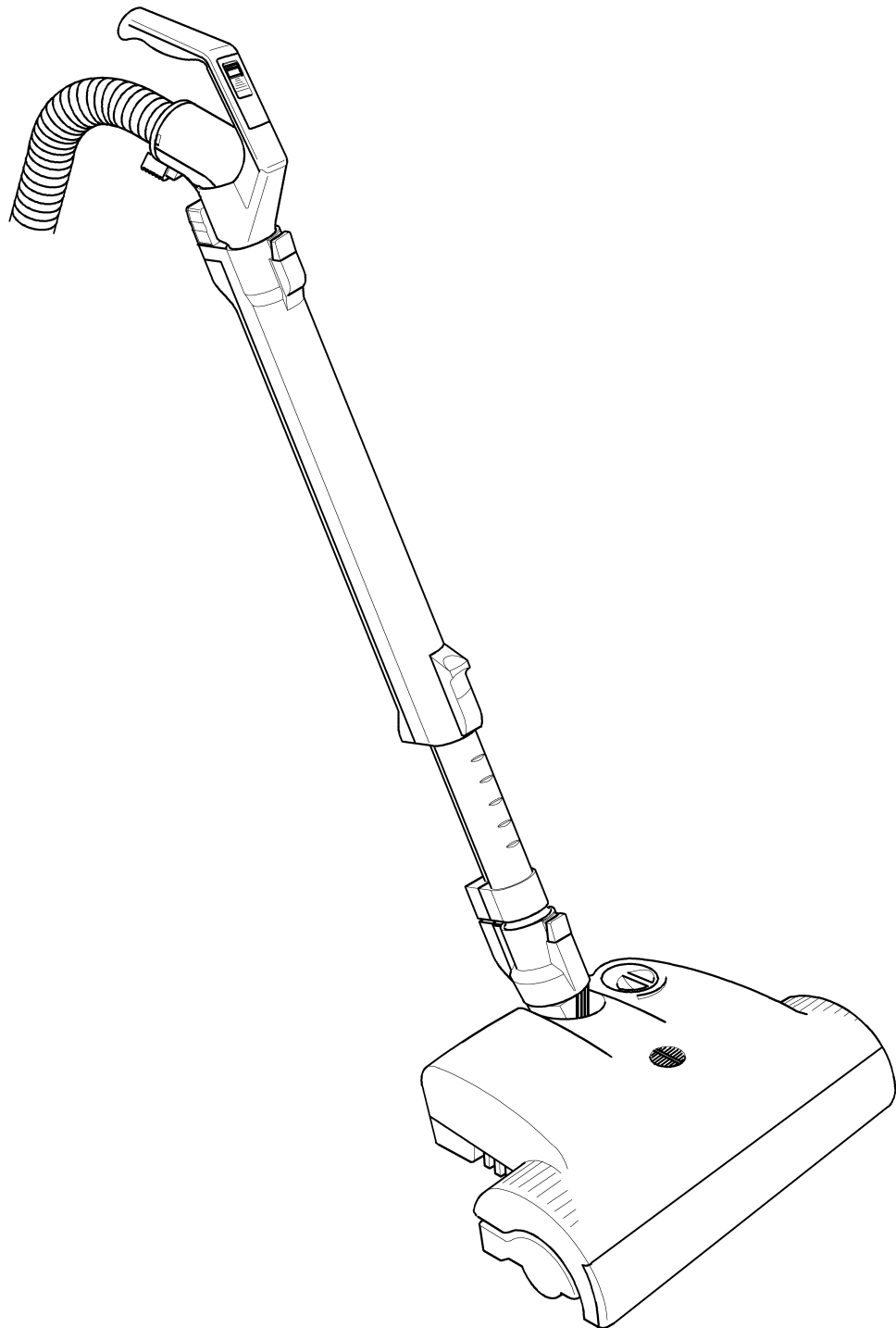


# Kleenmaid

## Electric power brush ET-H

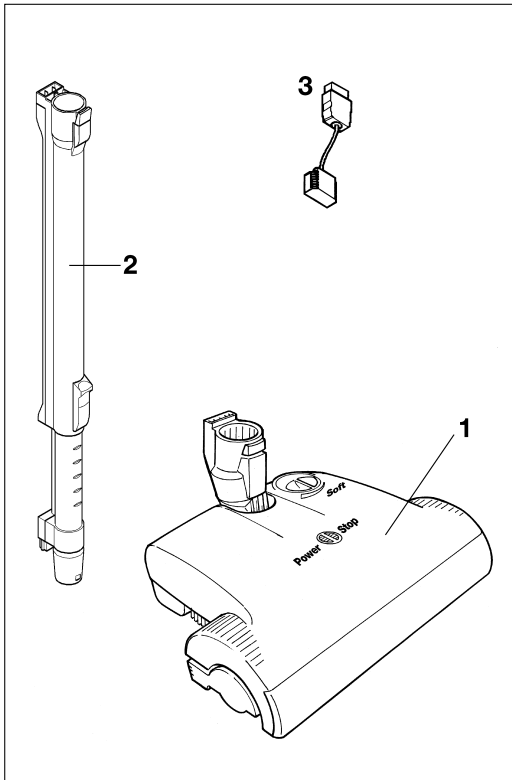
---



# Instruction manual for KLEENMAID electric power brush ET-H

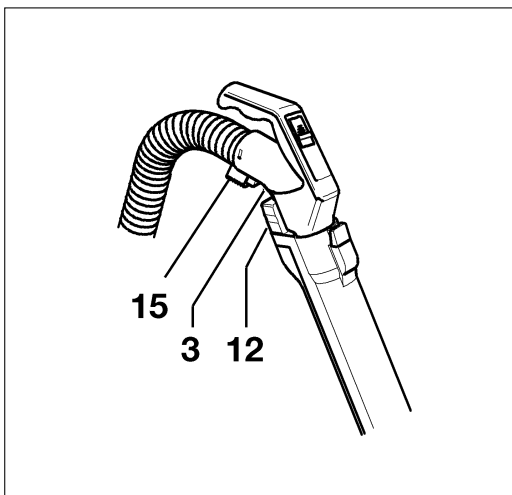
Please read this instruction manual carefully before using this appliance and pay attention to all safety advice.

Your KLEENMAID electric power brush ET-H is made to give you excellent performance and long life. Carpets are only cleaned hygienically and keep their good appearance when brushed thoroughly during vacuum cleaning. The KLEENMAID electric power brush in combination with a KLEENMAID *air belt* VC 320 cylinder vacuum cleaner provides you with the best aid for good carpet care.



## Box contents

The electric power brush (1), the electric telescopic tube (2), the cable (3) for KLEENMAID VC 320.



## Installing the cable

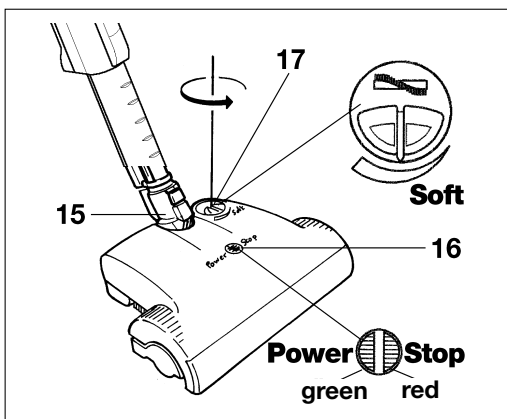
Fit one cable plug (12) into the grooves on the bottom of the handle and push the opposite plug (15) onto the contact holder in the hose neck.

## How to connect and use

Your KLEENMAID electric power brush ET-H is made to be used together with the KLEENMAID *air belt* VC 320 cylinder vacuum cleaner.

To prevent damage the vacuum must be switched on and provide enough air-flow through the power brush. Only in this case will the cleaning result be satisfactory.

We recommend using the maximum suction power level.



## Use

### 1. Indicator light

On top of the power brush is a red/green indicator light. If the green light is on and the swivel neck is in the upright position, then the power brush is ready for operation. By lowering the swivel neck the brush is activated. Please ensure that the vacuum cleaner is set to maximum power.

Green and red lights on together indicate security shut down because of either overload or blockage.

### 2. Brush adjustment

On top of the power brush there is a rotary control to adjust brush action. Brush action can be set from SOFT through to HARD as appropriate.

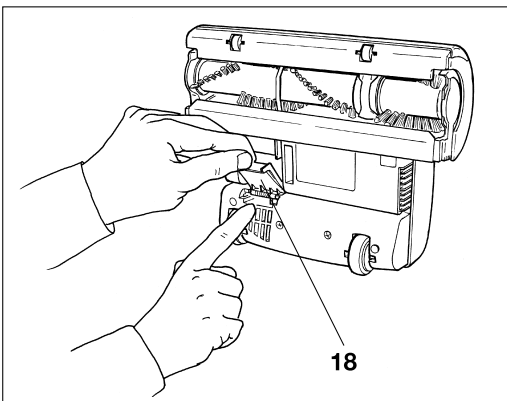
#### Attention - safety advice for connection:

- connect only to outlets according to data shown on labels
- mains voltage for both machines must be the same
- the vacuum cleaner must be switched on and provide air-flow through the power brush
- the cable must be fixed along the hose and be plugged into the vacuum

#### Attention - safety advice for use:

- the machine has a rotating brush
- always take care that the brush does not pull in rug edges, fringes, cables etc.
- Berber, woven and other delicate floorcoverings or floors with delicate surfaces please clean with the combination nozzle of your vacuum cleaner
- on uneven floors contact with the bottom plate is possible. Use combination nozzle if damage may occur
- lift the machine over obstacles

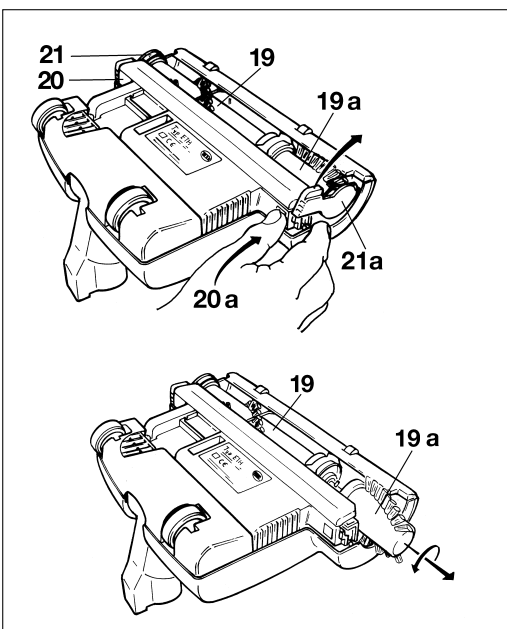
**ATTENTION - switch off and unplug machine at the mains outlet and from the vacuum before all service work and before removing any part.**



#### Clearing a blockage (-unplug the vacuum cleaner at the mains outlet)

If the brush is not functioning correctly it may be blocked. A red trap door is provided on the underside of the power brush to aid blockage clearing.

To clear a blockage in the swivel neck push the obstruction down the neck with a stick or long screwdriver and then remove it through the red trap door



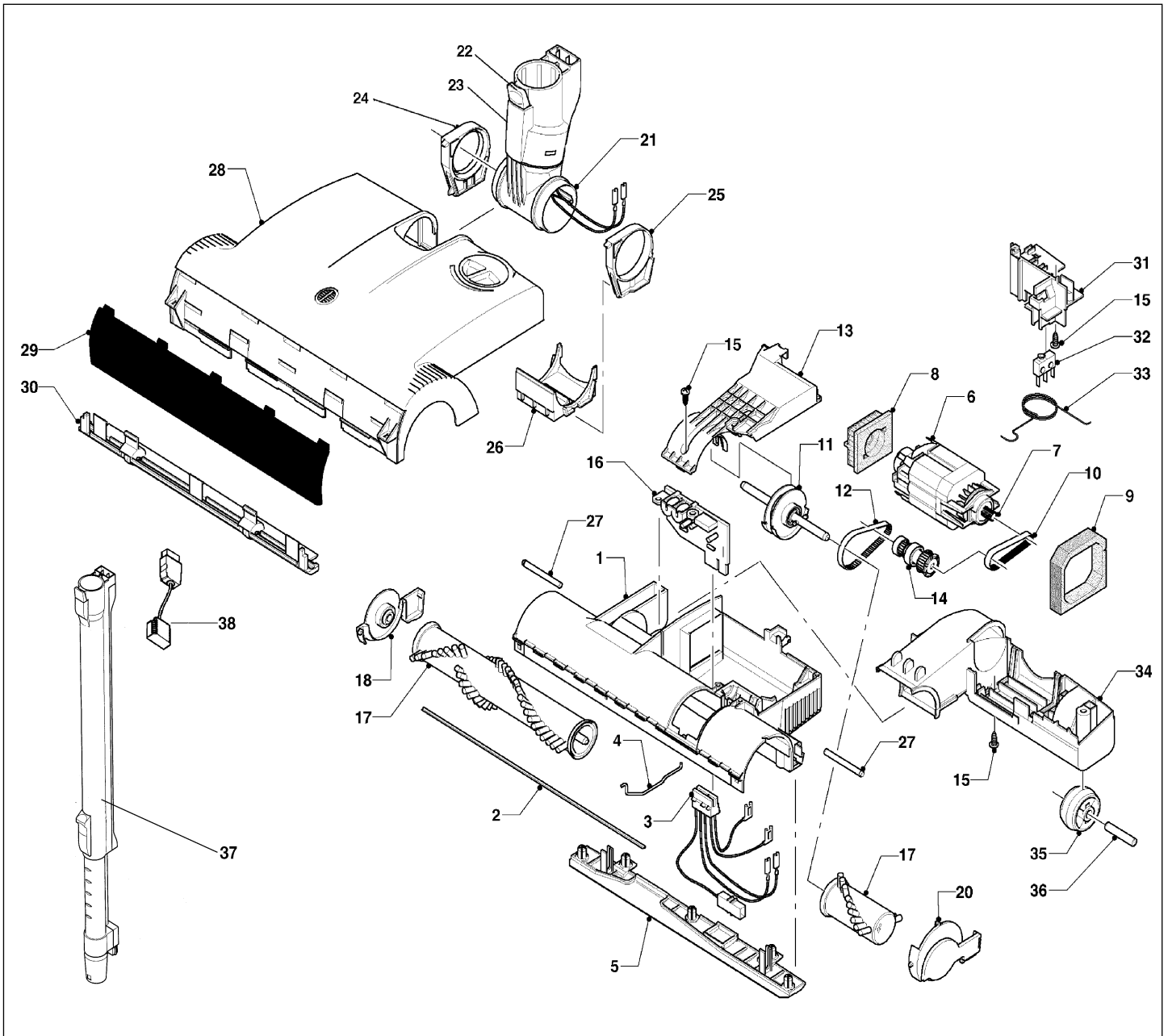
#### Changing the brush roller (-unplug the vacuum cleaner at the mains outlet)

To change either the brush roller (19) or the edge-cleaning brush (19a), push the button (20 or 20a), swivel the end caps in the direction of the arrows and pull them off.

Turn the brush roller clockwise and the edge-cleaning brush anti-clockwise when removing them from the appliance. Fit the new brushes onto the drive shaft by turning them until they click into position. Also to refit the end caps turn them until they click into position. Make sure not to squeeze the bristles of the brushes under the end caps.

#### Service - ( unplug the vacuum cleaner at the mains outlet)

The brush should be cleaned of fibres and hair regularly. After a blockage or when the brush has pulled in something, clear the brush and take all debris out of the brush area. Check the swivel neck regularly for blockages. Do not open the machi-



Pos.	Product-Code	Description	Pos.	Product-Code	Description	Pos.	Product-Code	Description
1	2701 dg	Chassis	14	2736 ER	Transmission shaft, cpl.	27	2706	Swivel axle
2	2708	Sealing strip	15	0102	Screw F 3,9 x 13 DIN 7981	28	2710 KM	Power head cover
3	2729	Internal cable	16	2792 ER	Printed circuit board	29	2716 dg	Bumper ET-H
4	2707	Wire tie	17	2758 ER	Brush roller-Set	30	2714 dg	Front bottom plate, cpl.
5	2704 ER	Rear bottom plate, cpl.	18	2751 dg	Bearing block, right hand	31	2764 hg	Spring bracket
6	2734	Brush motor 240 V, 150 W	20	2752 dg	Brush cover ET-H, cpl.	32	05105	Switch
7	2760	Motor pulley	21	2770 dg	Swivel neck assembly	33	2762	Adjustment spring
8	2735	Motor support	22	1737 dg	Release button	34	2709 dg	Wheel housing
9	2737	Motor gasket	23	1739	Leaf spring	35	2608 dg	Pile adjustment wheel
10	2749	Drive belt, motor	24	2775 dg	Cap	36	2720	Wheel axle
11	2753	Brush drive unit	25	2771 hg	Swivel neck support r.h.	37	6270 dg	Telescoping tube
12	2750	Drive belt, brush	26	2772 hg	Swivel neck support l.h.	38	6369 DG	Mains cable ET-C 3.1
13	2702 dg	Motor cover						

**CAUTION - general safety advice**

- use this appliance only in combination with a KLEENMAID vacuum cleaner
- pay attention to this and the manual of the vacuum cleaner
- keep the manual
- disconnect from mains before changing the brush strip or any service work
- electrical appliance, keep away from liquid or moisture
- vacuum dry surfaces only
- do not try to use on any body parts, human or animal
- do not vacuum hot material such as ash
- do not connect to a malfunctioning or damaged machine
- after security shut off, first switch off, then disconnect from mains and service the appliance
- do not remove any screws
- no user serviceable parts inside the machine
- if the cable is damaged use only a genuine KLEENMAID replacement
- use of non KLEENMAID parts could be dangerous
- the appliance is not intended for use by young children or infirm persons without supervision
- young children should be supervised to ensure that they do not play with the appliance.

**THIS APPLIANCE HAS A ROTATING BRUSH:**

- do not run over any cables
- do not leave unattended
- children must be strictly supervised


**The warranty will be invalidated if the above advice is ignored**

**IT IS THE USERS RESPONSIBILITY TO OPERATE THIS APPLIANCE SAFELY AND CAREFULLY**

## Technical details

Brush motor .....	150 Watt
Brush width .....	290 mm
Brush roller .....	replaceable
Brush drive .....	toothed belt with electronic overload protection
Width .....	297 mm
Weight .....	2,1 kg
Protection .....	double insulated
Radio suppression. ....	to CISPR



 **Kleenmaid**  
**P.O.Box 5560,**  
**Maroochydore South.**  
**Qld. 4558.**