

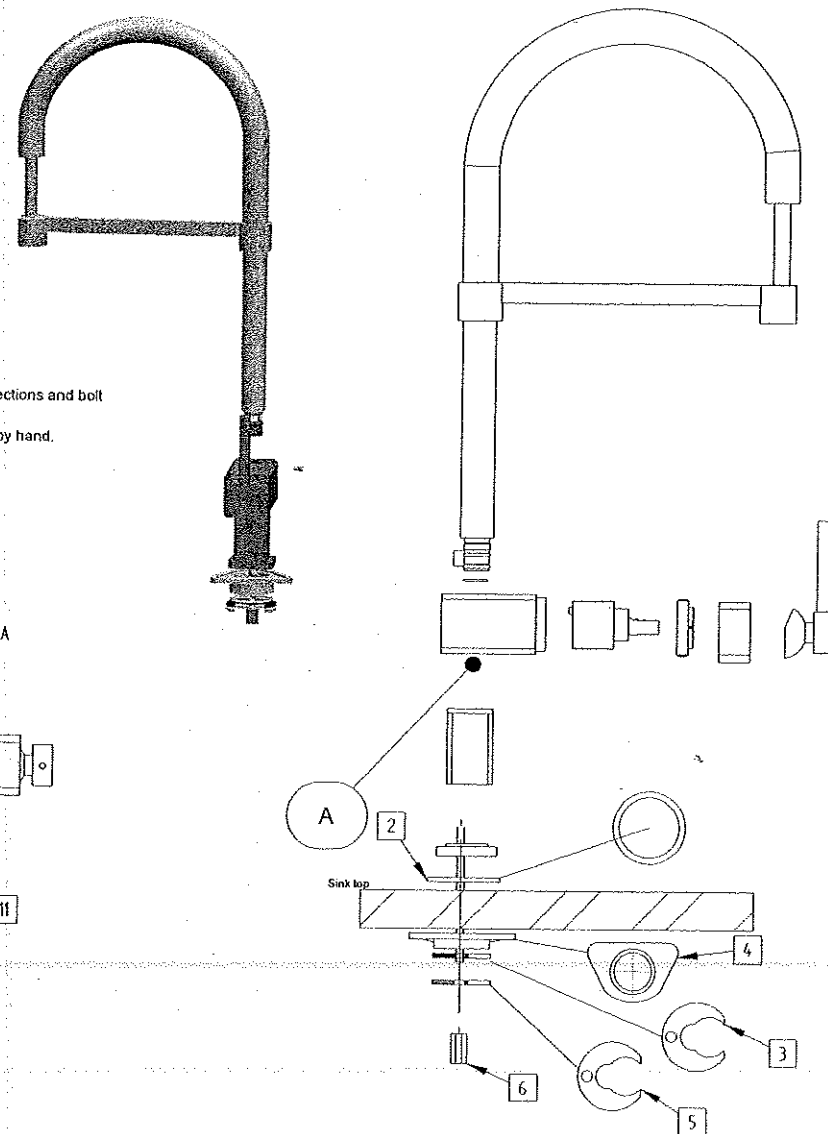
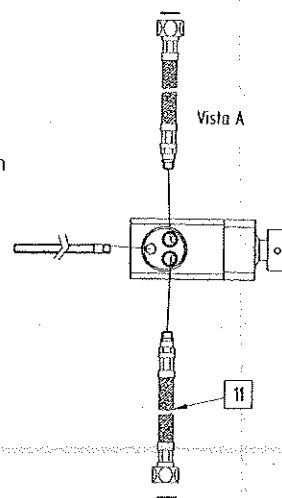
Dear Customer,

thank you for selecting our product. We are confident we can fully satisfy your expectations by offering you a wide range of technologically advanced products, which are the result of long years of experience in the production of faucet and fittings. Please carefully read the enclosed descriptions and instructions to ensure a better use of the product.

1. Turn off water supply
2. Drill 35mm hole in bench top or stainless steel sink
3. Place rubber seal Item 2 into the recess of the bottom of the tap body or collar if applicable
4. Screw inlet hoses Item 11 into body of tap ensuring hot and cold hoses are inserted into the correct ports
5. Place the hoses thru the hold in the bench top of the sink and position the tap
6. Place Item 3 (rubber seal) over the mounting bolt and against the underside of bench or sink
7. Place plastic supporting collar Item 4 over the mounting bolt and against the underside of bench or sink (note flat triangle side of plastic collar should be against the bench or sink)
8. Place metal mounting bracket Item 5 over mounting bolt and screw on securing nut Item 6 and tighten metal bracket against the underside of bench or sink
9. Position tap and securely tighten fixing nut
10. Connect inlet hoses Item 11, ensuring the sealing washers are in place to the correct hot and cold water taps
11. Turn on water Supply
12. Check tap for operation and test for leaks

Point no. 1
Screw supply flexible connections and bolt as scheme A
Tighten the supply tubes by hand.

VIEW A



TECHNICAL DATA

Water supply
Hot water Temperature
Working Pressure rating

Suggested
65°C-149°F
1-5(bar)14.5-72.5(psi)

Maximum
80°C-176°F
*

* In case of working pressure higher than 5 bar it would be advisable to install a working pressure reducer.

This product is not compatible with and cannot be used with low pressure push-button activated boilers.

Before proceeding with the installation purge the hot and cold water pipes so as to ensure that no impurities or dirt residue obstruct the filters and hamper the functioning of the faucet.