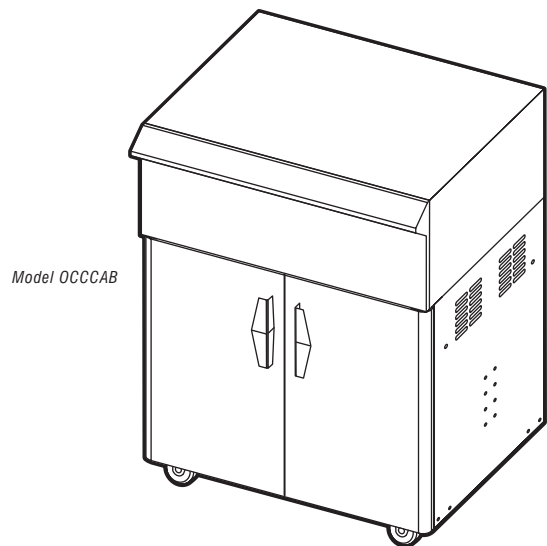


Outdoor Cooking Centres

Operating and assembly instructions
warranty details



Cabinet and pedestal

congratulations

the best you can own.

Congratulations on the purchase of your new Kleenmaid outdoor cooking centre. This appliance has been designed and manufactured to give you years of reliable performance.

the kleenmaid story.

More than one million Australians enjoy using Kleenmaid appliances daily. Selected because of their unique design, outstanding performance, excellent quality and unquestionable reliability, each one is value-for-money, 100 per-cent guaranteed and at the top of its class.

attention to detail.

We are proud of our reputation for product innovation and service excellence. By dealing direct, we can ensure that you consistently receive a high standard of customer service.

Free delivery, dedicated customer and after-sales service plus free kitchen design including planning seminars are just a few of the ways we are setting new benchmarks for customer service and experience.

satisfaction guaranteed.

Your new outdoor cooking centre is covered by a written five-year parts and labour warranty, no lemon guarantee and a unique best value guarantee.

best results.

For best results, carefully read the enclosed instructions on how to assemble your new barbecue. Correct assembly will avoid delays and unnecessary service calls.

This booklet provides you with comprehensive information to help you get to know the controls and the features of your new outdoor cooking centre.

TABLE OF CONTENTS

General Information _____	3
Pre-Assembly _____	3
Assembly _____	4-5
Maintenance _____	6
Parts Diagram / List _____	7-8

FOR CUSTOMER REFERENCE*(Record and file in a safe place)*

Purchased from _____

Date purchased _____

Serial No. _____

NOTE: Sales docket must be kept as proof of purchase date.

P R E - A S S E M B L Y

GENERAL

While it is possible for one person to assemble the Storage Cabinet, we recommend asking for the assistance of another person when manoeuvring some of the larger and heavier pieces.

ASSEMBLY TIPS

1. Flatten cardboard packaging and use this as a protective work surface to assemble upon.
2. Some protective coating may need to be removed from components prior to assembly.
3. Unless specified otherwise, do not tighten screws and nuts until trolley is fully assembled.
4. Pre-screwing of connection points for securing the side shelves will assist in securing shelves smoothly.

CHECK FOR ANY DAMAGE

Before attempting to assemble this appliance, check that all the necessary parts have been included using the parts list opposite. Inspect parts as you proceed.

Contact your place of purchase for assistance regarding replacement of any damaged or missing parts. Supplier contact details are on the back cover of the instruction manual.

Do not assemble or operate an appliance that appears damaged.

TOOLS YOU WILL NEED

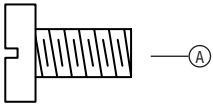
Standard Phillips-head screwdriver.

CARTON CONTENTS

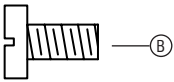
Description	Qty
Trolley side panel – <i>right</i>	1
Trolley side panel – <i>left</i>	1
Trolley rear panel	1
Castor seat – <i>lower rear, lower front, right rear, right front</i>	4
Castors	4
Bottom shelf	1
Trolley bracket – <i>front</i>	1
Doors	2
Table / draw body assembly	1
Hardware pack	1
Door bracket – <i>upper right, upper left</i>	2

1 Attach castor seats to side panels.

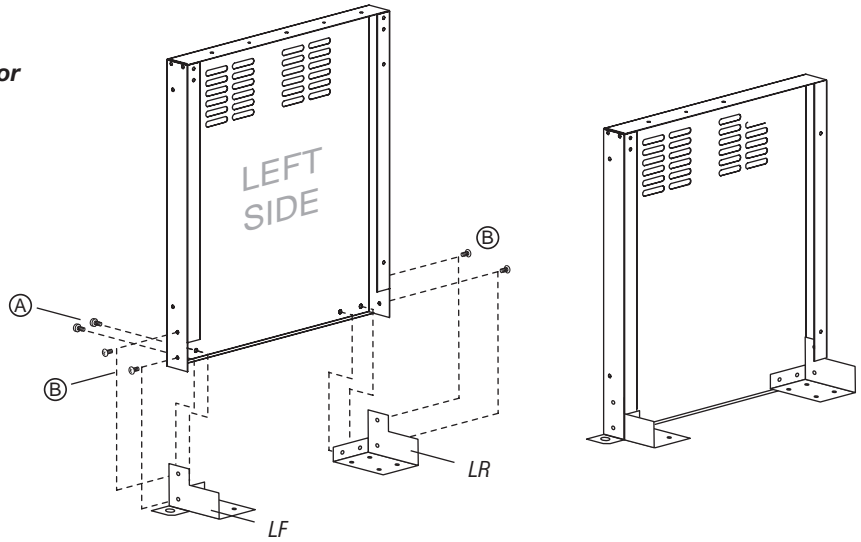
NOTE: Castor seats are labelled for correct location



Phillips flat-head screw 1/4" x 1/2"
Qty: 4

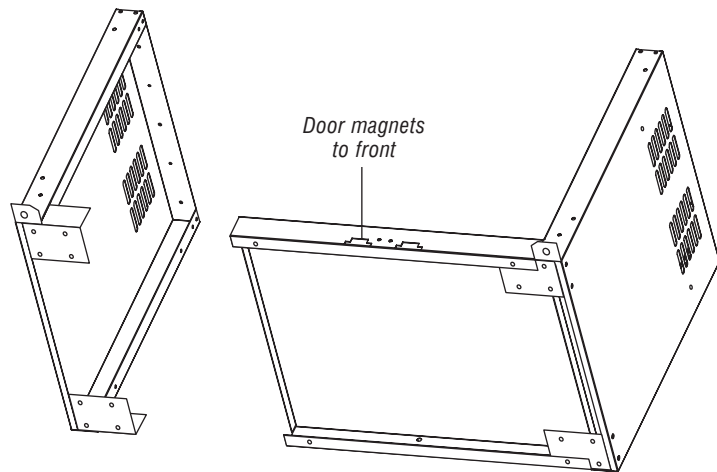


Phillips flat-head screw 3/16" x 3/8"
Qty: 4

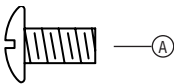


Repeat for right side.

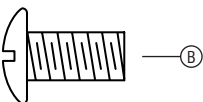
2 Attach side panels to bottom shelf.



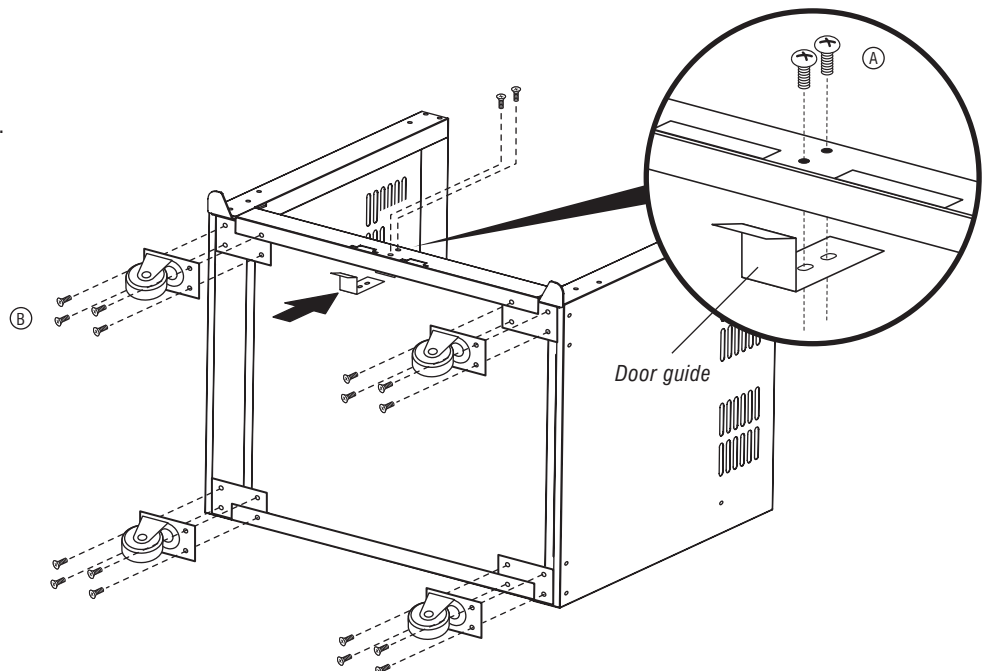
3 Attach castor wheels to castor seat.
Attach door guide



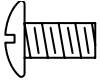
Phillips-head screw 3/16" x 3/8"
Qty: 2



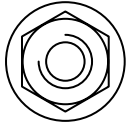
Phillips-head screw 1/4" x 1/2"
Qty: 16



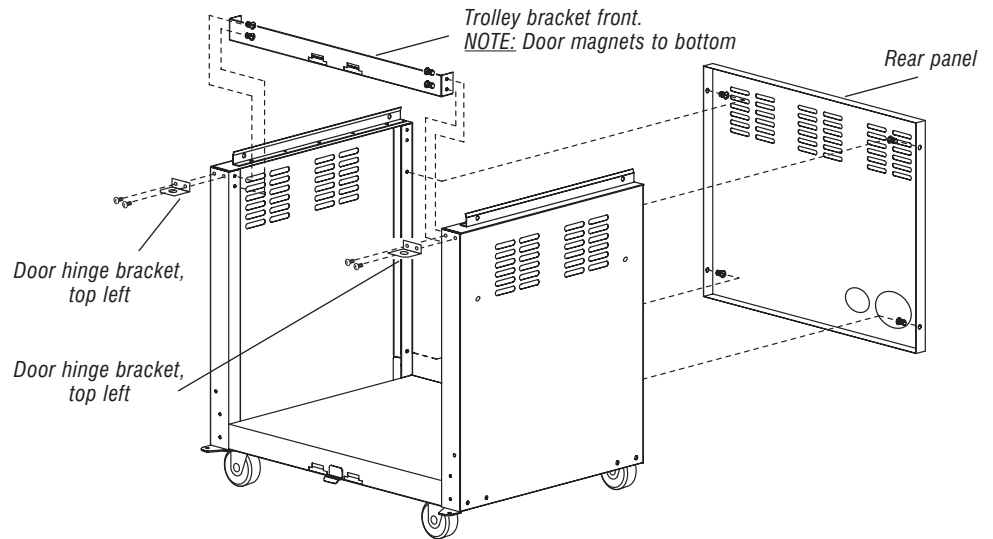
- ④ Attach the trolley bracket front and rear panel.



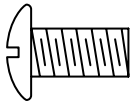
Phillips-head screw $\frac{3}{16}$ " x $\frac{3}{8}$ "
Qty: 12



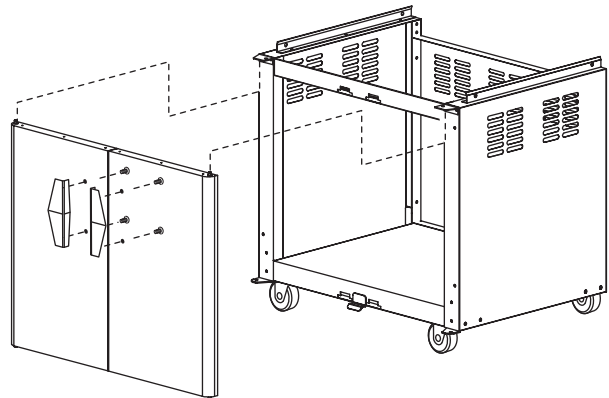
Flange nut $\frac{3}{16}$ "
Qty: 12



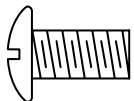
- ⑤ Insert the bottom door hinge pin into the lower door hinge bracket holes. Depress the spring loaded top door hinge pin and line up with the top hinge bracket holes, and release the pin. Attach door handles.



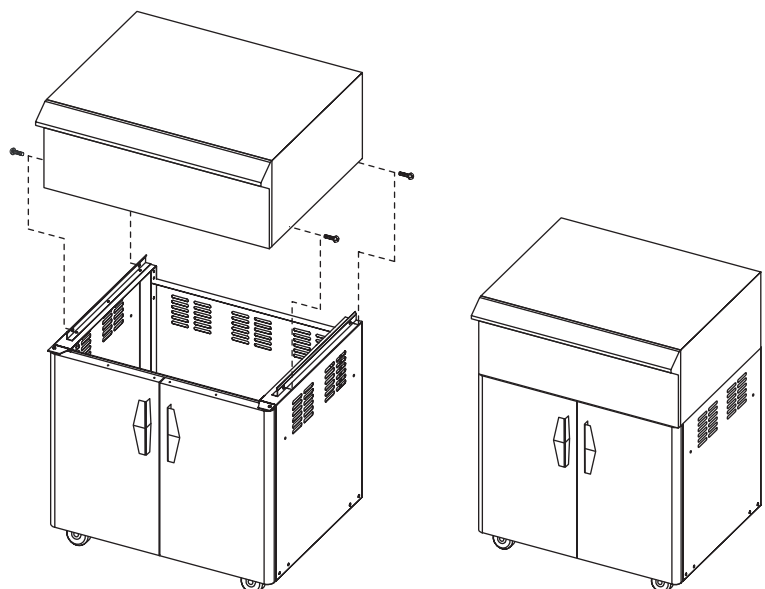
Phillips-head screw
 $\frac{3}{16}$ " x $\frac{1}{4}$ "
Qty: 4



- ⑥ Attach Table / Draw body assembly to trolley.



Phillips-head screw $\frac{1}{4}$ " x $\frac{1}{2}$ "
Qty: 4





DO NOT USE OVEN CLEANER TO CLEAN THE STORAGE CABINET. SOME PROPRIETARY BARBECUE CLEANERS MAY AFFECT / DAMAGE SOME OF THE SURFACE COATINGS USED ON THIS APPLIANCE. READ THE CLEANER INSTRUCTIONS CAREFULLY. IT IS RECOMMENDED TO TEST FIRST IN AN INCONSPICUOUS PLACE. GENERALLY WE RECOMMEND ONLY WARM SOAPY WATER FOR CLEANING THIS APPLIANCE.



IN COASTAL AREAS, FREQUENT CLEANING AND THE USE OF A COVER IS RECOMMENDED TO PROLONG THE LIFE OF THE APPLIANCE. SALTY AIR WILL ADVERSELY AFFECT EXPOSED PARTS.

CLEANING AND MAINTENANCE

Proper care and maintenance will keep your Storage Cabinet in top operating condition and prolong its life. Follow these cleaning procedures on a timely basis and your Storage Cabinet will stay clean and operate with minimum effort.

CLEANING EXTERIOR SURFACES

Before initial use and periodically thereafter we suggest you wash your Storage Cabinet using a mild soap and warm water solution. You can use a wash cloth or sponge for this process. Do not use a stiff wire or brass brush. These will scratch stainless steel and chip painted surfaces (*varies by model*) during the cleaning process.

CARE FOR STAINLESS STEEL

Stainless steel over time will be affected by 'tea staining' (*the brown discolouration of some stainless steel*).

Tea staining can be reduced by washing the surface with mild detergent and warm water and then rinsing with clean cold water. We recommend the surface be wiped dry with a clean cloth.

STORAGE

We recommend that you minimise the exposure of the Storage Cabinet to the elements.

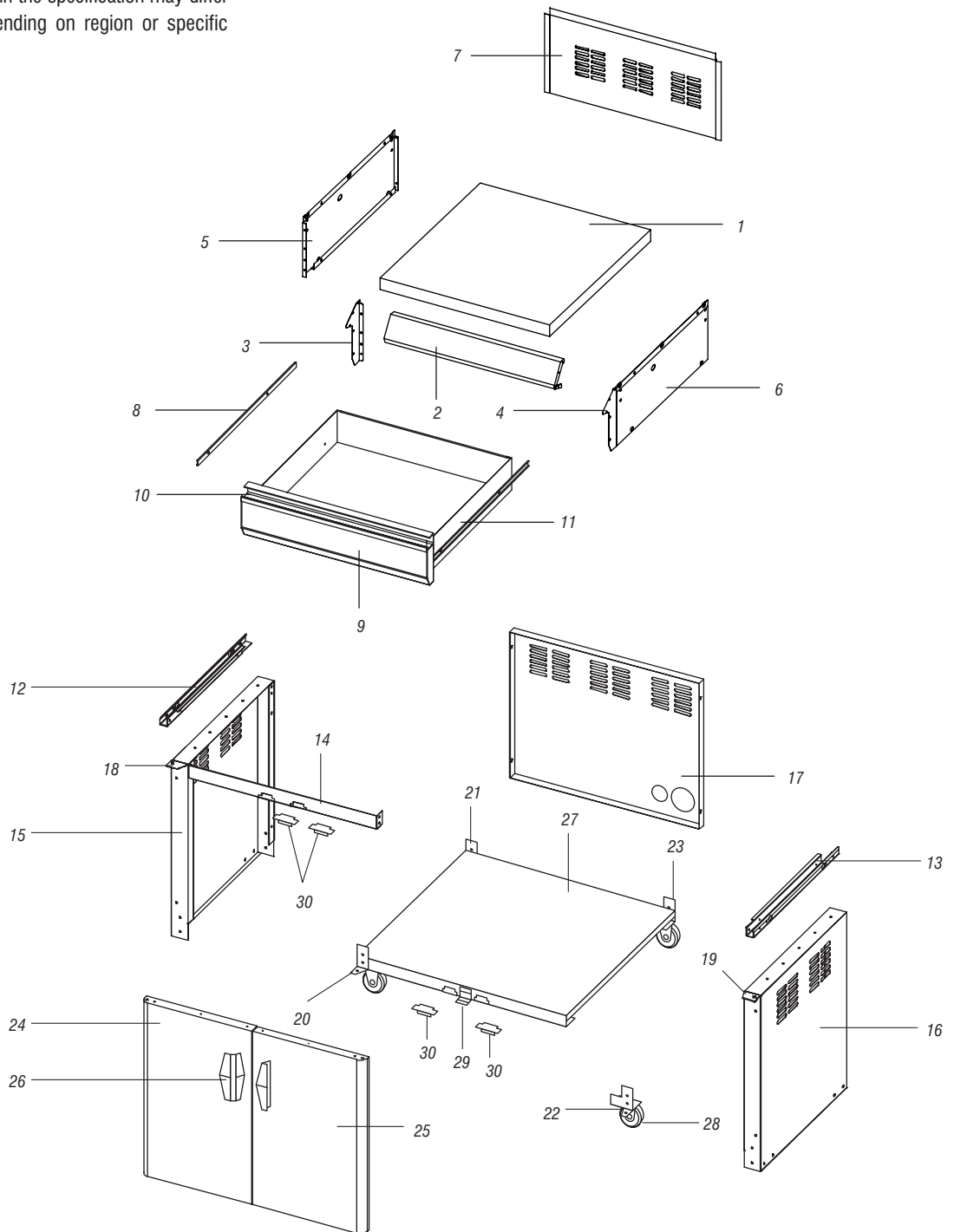
High moisture content in the air (*rain, mist, salt spray etc.*) can affect metal components and lead to material breakdown. If left in an area subjected to high moisture content, we strongly recommend that you observe the cleaning procedure on a regular basis and cover the appliance whilst not in use.

Material breakdown from high moisture conditions can be avoided if the appliance is well protected from the weather and regular cleaning is performed.

This diagram is provided to assist you identify parts if replacement is necessary.

Contact the place of purchase or manufacture to enquire about parts, availability and/or service.

Items included in the specification may differ from parts list, depending on region or specific dealer specification.



Ref	Description	Part #	Qty
1	Table	P0015101MA	1
2	Control panel	P02913101A	1
3	Control panel bracket – <i>left</i>	P03328039C	1
4	Control panel bracket – <i>right</i>	P03328040C	1
5	Bowl panel – <i>left</i>	P0072080DC	1
6	Bowl panel – <i>right</i>	P0072181DC	1
7	Bowl panel – <i>rear</i>	P0072575DC	1
8	Slide set	P01907006B	1
9	Drawer decorative panel	P01901009B	1
10	Drawer handle	P00213014B	1
11	Drawer	P01903009B	1
12	Bowl support bracket – <i>left</i>	P01301012B	1
13	Bowl support bracket – <i>right</i>	P01302012B	1
14	Door top support	P01303006B	1
15	Trolley side panel – <i>left</i>	P07614011A	1
16	Trolley side panel – <i>right</i>	P07615011A	1
17	Trolley rear panel	P07702054A	1
18	Door bracket – <i>left upper</i>	P03302033A	1
19	Door bracket – <i>right upper</i>	P03302034A	1
20	Castor seat – <i>left front</i>	P05327021T	1
21	Castor seat – <i>left rear</i>	P05327022T	1
22	Castor seat – <i>right front</i>	P05327023T	1
23	Castor seat – <i>right rear</i>	P05327024T	1
24	Door panel – <i>left</i>	P04302043A	1
25	Door panel – <i>right</i>	P04303043A	1
26	Door handle	P00214004A	2
27	Trolley bottom shelf	P01001060C	1
28	Castor – <i>2.5 in. with brake</i>	P05110004D	4
29	Door guide plate	P05510024A	1
30	Door magnet	P05523001K	4
	Hardware pack	P06003085A	1

Warranty Period

Kleenmaid Professional Series Outdoor Cooking Centres

Stainless Steel Frames	Lifetime
Stainless Steel Burners	Lifetime
Roasting Hood	Lifetime
Pedestal	Lifetime
Valves	5 Years
Ignition System	5 Years
All other parts	5 Years

Storage

Exposure of the barbecue appliance to the elements should be minimised. Once the unit has cooled and is cleaned, store the barbecue under cover. Polyester/Vinyl covers are an optional accessory that will ensure years of trouble free operation.

Should any part fail due to defective workmanship or faulty materials within the specified period from the date of purchase, Kleenmaid will repair or replace the defective part free of charge.

LP Gas Tank

The cylinder manufacturer is responsible for the materials, workmanship and performance of the cylinder. Contact your dealer or the cylinder manufacturer.

Warranty Administration

Warranty is administered by Kleenmaid.

Domestic Warranty

In addition to all statutory rights which you, the consumer, have under the relevant laws in respect to this appliance, during the first five years of ownership as the original purchaser of this Kleenmaid appliance, we guarantee that any fault caused by faulty material or workmanship becoming apparent will be rectified free of charge for parts and labour, provided that all service is performed during normal working hours by Kleenmaid or their designated agents.

This warranty does not cover the purchaser or any other person for damage, malfunction or loss due to the following:

- Commercial use of the barbecue.
- Lack of maintenance, abuse, neglect, misuse, accident or improper installation of this appliance.
- Scratches, dents, corrosion or discolouring caused by heat, abrasive or chemical cleaners or chipping on porcelain parts.
- Corrosion or damage caused by exposure to the elements, grease fires, insects, weather or hail. Barbecues must be covered when not in use.
- Cleaning and normal wear and tear. Service calls of this nature are chargeable.
- Cooktops must be covered when not in use.
- Unauthorised repairs during the warranty period.
- Removal or re-installation costs.
- We are not responsible for any consequential damages from any malfunction.

Conditions of Warranty

1. The consumer, must make the appliance available for servicing and shall bear any costs incurred for any de-installation and /or re-installation required to make the appliance available for servicing. Kleenmaid are not liable for any consequential damage incurred during de-installation and/or re-installation.
2. The appliance is delivered to the Kleenmaid service department or authorised service agent and freight charges both ways are paid by the owner. No liability is accepted for loss or damage during transit.
3. The appliance is installed by a qualified person and operated and maintained in accordance with the instructions supplied. Repairs or service must be carried out by an authorised person.
4. Installation must conform to the standards laid down by the local codes or, in the absence of local codes, with AGA code AG:601 AS:5601:2002
5. No alterations or repairs have been carried out without obtaining Kleenmaid's prior consent. Such repair or any replacement does not extend the warranty period.
6. Where this warranty is inconsistent with any state laws, the statutory rights or the purchaser shall prevail.
7. Parts installed from other manufacturers products will nullify this warranty.

Service Assistance

To assist you when phoning our After Sales Service Number to arrange a service call, please complete the following details and have them ready when you call.

Model Number Serial Number

Kleenmaid store purchased from..... Date of Purchase

Date of Installation Gas type: LPG NG

KLEENMAID AFTER SALES SERVICE: 1300 652 100

appliances available in the Kleenmaid range

the best products we can find.

We search the globe for products that meet our high standards of functionality, style and quality and are proud of our innovative range sourced from countries throughout the world.

This outstanding appliance from our professional series is proudly handed crafted in Italy.

Washing Machines
Dryers
Dishwashers
Ovens
Cooktops
Outdoor Cooking Centres
Built-In Coffee Machines
Rangehoods
Freestanding Ovens and Cooktops
Sinks
Waste Disposals
Taps
Cookware
Refrigerators
Wine Cellars
Vacuum Cleaners

**To find your nearest Kleenmaid Showroom
telephone 13 13 08.**

Technical specifications and product sizes can be varied by the manufacturer without notice.

Any cutouts for appliances should only be physical measurements. Drawings are not to scale.

All information supplied is for general reference purposes only and is on the understanding that Kleenmaid Pty Limited will not be liable for any loss, liability or damage whatsoever arising as a result of reliance of such information.

 **Kleenmaid**
The best you can own.