

KLEENMAID
THE WORLD'S BEST

model : TX728A

Contents

	Pages
Unpacking your machine.....	4 & 5
Installing the machine	5 & 6
Connecting up your machine	6 & 7
Fabric care symbols	8
Sorting the washing.....	9
Fabric care advice	9
Dealing with difficult stains	10
Loading the laundry and the washing powder/liquid	11
Selecting a wash programme	12 & 13
Automatic safety devices	13
Programme examples	14
Routine maintenance.....	15 to 17
Possible incidents	18
Warranty and Service	20

Before using your machine, carefully read these instructions which will enable you to quickly become familiar with the way it works.

Unpacking your machine

BEFORE ATTEMPTING TO USE THE MACHINE, YOU MUST FOLLOW THE PROCEDURE DESCRIBED BELOW

These operations involve removing the metal transit bracket and the blocks which immobilise the tank of your machine during the transportation, as well as the supports which hold up the hoses and the electric cable.

These operations, known as "unpacking", are necessary for your machine to operate correctly and also for complying with current safety standards.

- 1 - Remove the washing machine from its base (check that the block «A» that retains the motor is not stuck under the machine) (Diagram 1)
- 2 - Remove the four screws «B» with a screwdriver (Diagram 2.1)
- 3 - Remove the bracket «C» by removing the two bolts «D» with a 13 mm spanner (Diagram 2.2)

(Make sure that the two plastic spacers attached to the bar are removed at the same time).

Replace screws «B» in their original position.

- 4 - Blank off the two holes using the plugs «E» (provided in bag of accessories) (Diagram 2.3)

Diagram 1

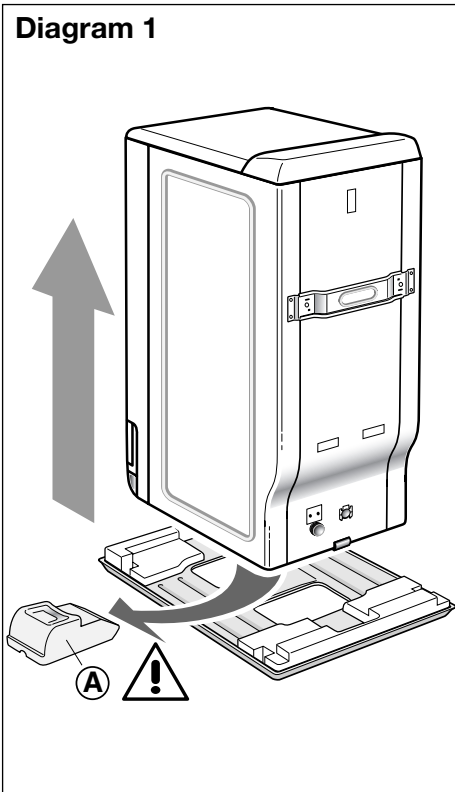


Diagram 2.1

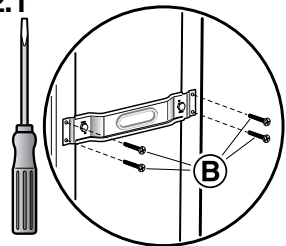


Diagram 2.2

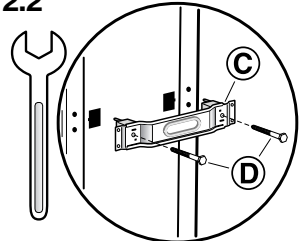
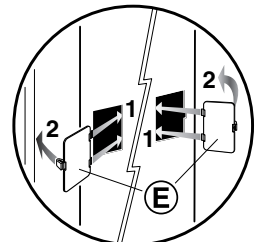


Diagram 2.3



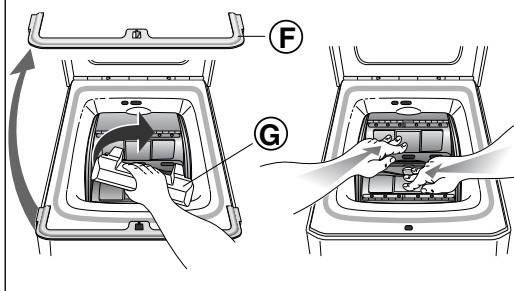
Unpacking your machine

5 - Remove the block that immobilises the drum and tub (*Diagram 3*).

To do this:

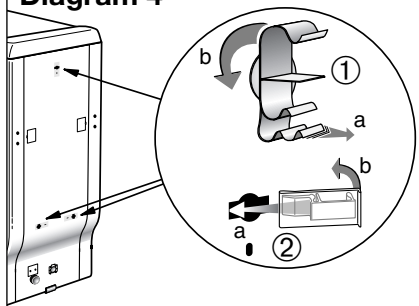
- raise the machine lid;
- if your machine comes with a packing wedge «F», remove it;
- remove the block «G» by rotating it through 90°;
- open the doors of the drum which are locked in the low position, by pushing both flaps at the same time.

Diagram 3



6 - Lift up the hoses support clamps ① and **do not fall to** block the holes using plugs ② (provided in the accessories bag) (*Diagram 4*).

Diagram 4



Please keep all packing components as they must be replaced if the machine is to be shipped elsewhere

All these parts and the components of your machine are made of recyclable materials. Please bear this in mind when the time comes to dispose of your machine

Your machine was inspected before leaving the factory. You may therefore find traces of water in the tank or in the detergent compartment

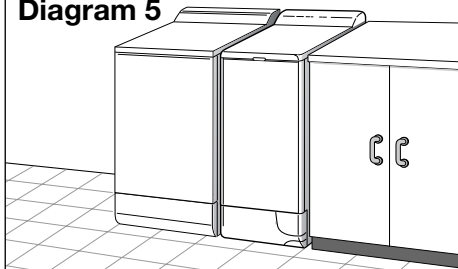
Installing the machine

We advise against installing your machine on a carpeted floor. If this is unavoidable, take all precautions to avoid preventing air circulation at the base, to ensure that the internal parts are well ventilated.

Machine location

If you locate your machine next to another appliance or an item of furniture, you should leave space between them to allow air to circulate (*Diagram 5*).

Diagram 5



Installing the machine

Moving the machine using the castors

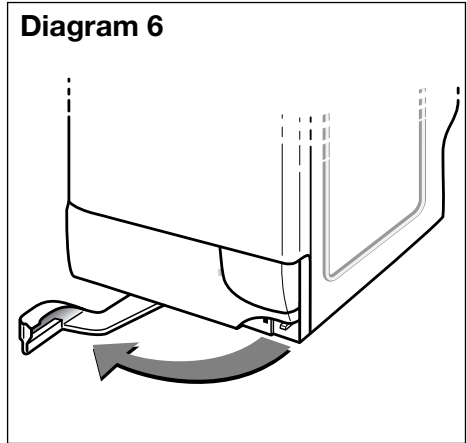
To extend the castors, move the lever at the bottom of the machine from right to left (*Diagram 6*).

The machine should not be used while standing on its "front" castors: do not forget to return the lever to its original position.

Levelling

Use a spirit level to check that the ground is horizontal: the maximum allowable slope is 2° which gives a difference in height of about 1 cm across the width of the machine and 1.5 cm from front to rear.

Diagram 6



Connecting up your machine

Cold water supply

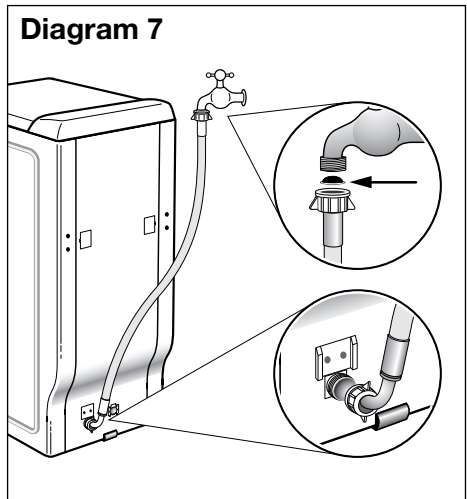
Connect up the hose (*Diagram 7*):

- connect the 90° elbow end to the union at the back of the machine;
- connect the other end to a tap fitted with a threaded end diameter 3/4 BSP, not forgetting to insert the filter washer supplied in the bag of accessories.

Water inlet :

- **Minimum water pressure: 70 kPa**
- Maximum water pressure : 1000 kPa

Diagram 7



Connecting up your machine

Waste water drain

Connect up the drain hose, after fitting the hose hook supplied in the machine (Diagram 8.1):

- either placing into a laundry tub
- or permanently into a stand pipe.

If your drain installation is connected to a stand pipe and a siphon break kit is not fitted, ensure that the connection between the drain hose and the stand pipe is not airtight. We strongly recommend that an air gap be left between the drain hose of the machine and the stand pipe (Diagram 9).

In these circumstances, the hooked end of the drain hose should be between 65 and 90 cm above the bottom of the machine.

Note: make sure that the drain hose is securely attached to prevent it releasing in service and causing a flood.

The waste water can be drained on to the ground, so long as the drain hose passes through a point between 65 and 90 cm higher than the bottom of the machine (Diagram 8.2).

For your own safety, please follow these instructions

Power supply

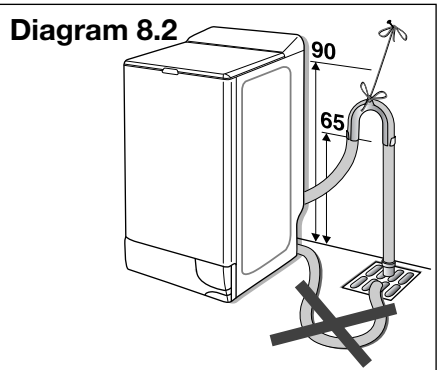
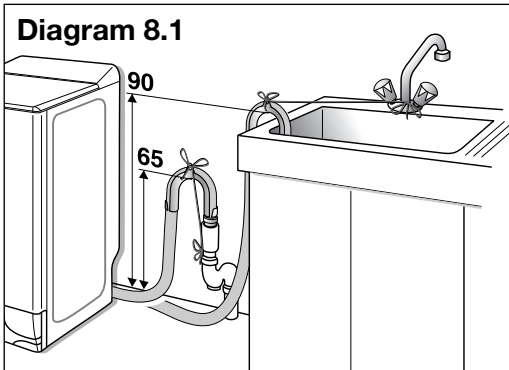
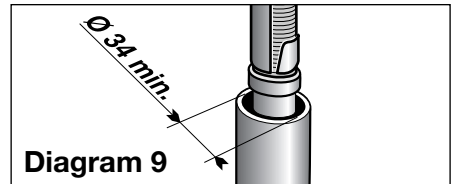
The electrical installation must comply with Australian standards and the requirements of the local Electrical Authorities.

240V 50hz 10A.GPO

Recommendations for the electrical installation of your machine.

- Do not use extension leads, adaptors or multiple plugs ;
- **Never** remove the earth connection ;
- The socket outlet must be readily accessible but out of the reach of children.



























We cannot be held liable for any incident resulting from improper earthing of the machine or incorrect electrical connection.



If in doubt, get in touch with your local plumber

Fabric care symbols

To help you care for your clothes, they have a label summarising the information necessary. These are expressed as symbols:

WASH		BLEACH			
	Maximum temperature: 95°C - Normal mechanical action - Normal rinse - Normal spin	 Dilute, cold bleach		 No bleach	
	- Reduced mechanical action - Rinse at decreasing temperature - Reduced spin				
WASH		IRONING			
	Maximum temperature: 60 or 50°C - Normal mechanical action - Normal rinse - Normal spin	 200 °C Hot	 150 °C Medium	 110 °C Cool	 Do not iron (no steam)
	- Reduced mechanical action - Rinse at decreasing temperature - Reduced spin				
	- Reduced mechanical action - Rinse at decreasing temperature - Reduced spin				
WASH		DRY CLEANING			
	Maximum temperature: 40°C - Normal mechanical action - Normal rinse - Normal spin	 All usual solvents	 Perchloroethylene Mineral oil	 Mineral oil and florinated solvent F113	 Do not dry clean or use stain removers
	- Reduced mechanical action - Rinse at decreasing temperature - Reduced spin				
	- Very reduced mechanical action - Normal rinse - Normal spin				
	Maximum temperature: 30°C - Very reduced mechanical action - Normal rinse - Reduced spin	 <i>Normal process</i>			
WASH		DOMESTIC TUMBLE DRYER			
	Hand wash only Temperature 40°C maximum	 Hot drying	 Cool drying	 Do not tumble dry	
	Do not wash				

Sorting the washing

Refer to the table on the previous page for sorting your washing and choose the programme appropriate to the labels. For mixed loads, use the programme for the most delicate clothes.

For new items, take the precaution of checking that the fabric won't run: see "**Colour test**" below.

Average weight of some "not very thick" items of dry washing

Single sheet	400 to 500 g	Large cotton T-shirt	150 g
Double sheet	800 g	Tea towel.....	100 g
Pillowcase	200 g	Cloth	250 g
Light nightie	150 g	Fine lingerie.....	50 g
Child's fabric trousers.....	120 g	Child's synthetic woolly	50 g
Adult's fabric trousers.....	500 g	Sock	20 g
Man's poly-cotton shirt.....	200 g	Adult's fabric pyjamas	250 g

Average weight of some "thick" items of dry washing

Adult's jeans	800 g to 1 kg	Child's towelling pyjamas	100 g
Large bath towel	700 g	Bathrobe	1200 g
Small bath towel	300 g	Sweatshirt	250 g
Adult's jogging pants	350 g	Duvet cover.....	1500 g

Fabric care advice

The colour test

At the first wash, dyed material often runs, unless guaranteed fully colour-fast. Before putting it in the machine, test follows:

- Take a non visible part of the item,
- Wet it with hot water,
- Press it with white fabric.
 - If the material does not run, you can wash it normally in the machine.
 - If the material runs, wash it **separately** in the machine or by hand.

Checking the washing

Not following the advice below may cause serious or even irreparable damage (damaged drum, torn washing, etc.):

- Empty pockets.
- Close zips and press-studs.
- Remove curtain hooks or put net curtains in a wash bag.
- Remove loose buttons, pins and staples.
- Put small items of washing (ribbons, pocket hankies, etc.) in a wash bag.

Dealing with difficult stains

Marks from sweat, blood, fruit, wine, chocolate, etc. generally disappear with detergents containing biological ingredients, but other stains need specific treatment **before** going in the machine. First of all, test the material in a place not too visible and rinse freely. If you apply a stain remover, always begin at the outside of the stain to avoid rings.

GRASS: soap carefully, treat with dilute bleach. For wool, alcohol at 90° may give good results.

BALL-POINT PEN: dab with a cloth dampened with clear alcohol at 90°. Take care not to spread the stain.

RUST: for slight marks, cover with salt, press the juice of a lemon onto the salt and leave overnight. Rinse liberally and wash. For more serious stains, use a special rust cleaner, carefully following the manufacturer's instructions.

SCORCHES: if the material is only very slightly scorched and the colours can take it, soak in water with some bleach added; otherwise moisten the material with 10 volume hydrogen peroxide and leave it to act for 15 minutes.

CHEWING-GUM: chill it with ice. Once it is hard enough, scrape it lightly with a nail to remove it.

LIPSTICK: dab with ether if it is on wool or cotton, with trichlorethylene if on silk.

NAIL POLISH: put the material's stained side onto absorbent paper, then moisten the back of the material with nail polish remover, taking care to change the paper under the mark frequently. Make certain that the type of material can withstand the solvent.

GREASE - TAR: use liquid stain remover or, if not available, put a piece of fresh butter on the stain, let it sit, then dab it with turpentine.

PAINT: do not let the stain dry. Treat it immediately with the solvent named on the paint can (water, turpentine, white spirit). Soap it then rinse.

WAX: scratch the wax with a blunt blade so as to remove as much as possible, then layer it between tissue paper and iron the stain.

RECENT MOULD STAINS: for cotton and linen, rinse in bleach diluted with 5 volumes of water and a teaspoonful of vinegar, then wash immediately. For other white fabrics, use hydrogen 10 vol. peroxide and wash immediately.

Remember that, in general, stains treated at once come off easily. However, old stains that have been ironed or dried in a tumble dryer cannot be removed.

USING STAIN REMOVERS:

We recommend that solvents or aerosol sprays are not used near your washing machine and more generally, near electrical equipment in a poorly ventilated room so as to avoid any risk of explosion.

Loading the laundry and the washing powder/liquid

Proceed as follow:

Opening the machine

- Ensure that the "On / Off" button is released.
- Raise the opening handle. The lid will open.
- Open the doors of the drum by pushing the button situated on the front flap.

Loading the laundry

Put the laundry, sorted beforehand, in the drum ; do not push it down, and distribute it evenly.

Loading detergent (Diagram 10)

NOTE: ONLY USE LOW SUDSING DETERGENT

- ① **Pre-wash tray (powder)**
See diagram below
- ② **Main wash tray (powder or liquid)**
See diagram below
The "MAIN WASH" tray can receive powder or liquid detergent ; however, liquid detergent should not be used for programmes WITH prewashing.
- ③ **Fabric conditioner**
The conditioner is designed to make your clothes soft and pleasant smelling.
Concentrated conditioner should be diluted in hot water.
- ④ **Bleach**
Bleach can be used as a disinfectant or as a bleaching agent. Its action supplements that of the washing powder.
Concentrated bleach must be diluted.

 : WASHING POWDER

 : WASHING LIQUID

IMPORTANT:

- when filling the detergent trays, open the lid as far as possible ;
- do not exceed the maximum level.

Amount of detergent to be used

	pre-wash	main wash
Normal washing powders	140 ml	300 ml
Liquid detergents		180 ml

We recommend that you use the graduated beaker provided with most washing products for measuring out your detergent.

The quantities recommended above refer to normal washing conditions and may be modified according to the hardness of the water and the dirt level of the laundry:

- Soft water
or "slightly soiled" laundry
or "quick wash", "half load", etc.:
reduce the quantities by 10%
- Very hard water
or "very soiled" laundry:
increase the quantities by 10%.

Concentrated detergents

Follow the instructions printed on the container.

Detergents for woollens and delicate fabrics

Always use the appropriate detergent. Use the quantities recommended on the package.

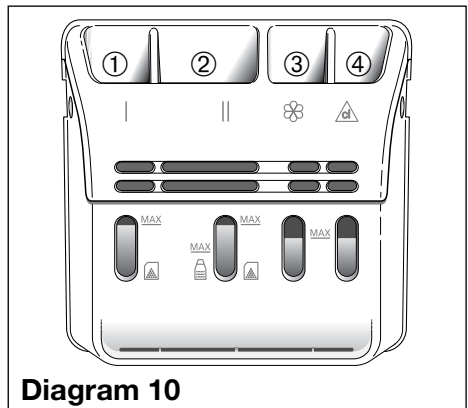
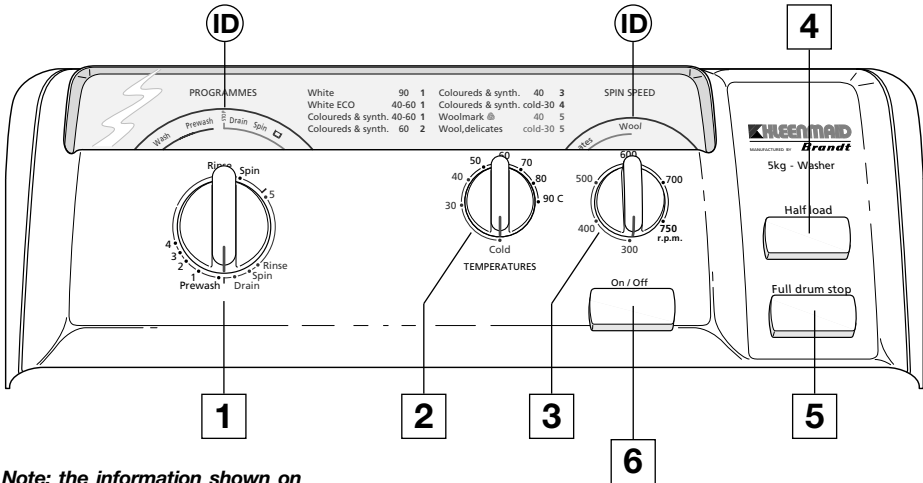


Diagram 10

Selecting a wash programme



Note: the information shown on the indicator discs (ID) displays the programme execution. It is never used for programming.



1 Selecting the type of laundry

Select a programme according to the type of laundry to be washed. Typical programmes are shown on page 14.

2 Selecting the temperature

Select the most appropriate temperature for the clothes to be washed. Follow the washing recommendations given on labels attached to most articles.

WHITE : from Cold to 90°C

COLOUREDS & SYNTHETICS : from Cold to 60°C

WOOL Woolmark : 40°C

WOOL & DELICATES : from Cold to 30°C

3 Selecting the spinning speed

Select a spinning speed appropriate to the type of clothes.

WHITE - COLOUREDS & SYNTHETICS:

from 500 rpm to maximum speed

WOOL & DELICATES:

from 300 rpm to 600 rpm

Notes:

In the "WHITE" and "COLOUREDS & SYNTHETICS" programmes, the final spinning takes place in two stages to reduce creasing.

Selecting a wash programme

4 Half load

Mainly used for reduced loads of washing, from 1 to 3 kg. Considerable savings in water and electricity are therefore made.

5 Full drum stop

This function is intended for articles you don't want to spin-dry or if you expect to be absent when the programme comes to an end.

When this button is selected, the cycle is interrupted before final spinning, allowing your washing to float in water to avoid creasing. Then:

- if you want draining with spinning: release this button, the programme terminates automatically.
- if you simply want to drain your washing: turn knob **1** to position "**Drain**" and release the button.

6 Starting the machine

Check that the power cable is plugged in and the water inlet tap open.

After setting the programme and perhaps choosing the "Half load" and "Full drum stop" options, press the "On / Off" button.

The washing cycle begins.

Do not start the machine unless the drum loading doors and the machine lid are properly closed.

6 Stopping the machine

On completion of the cycle, switch off the machine by releasing the "On/Off" button.

You can then open the lid and remove your laundry.

You should also release any other buttons you have selected.

As a safety measure, you should unplug the power cable and close the water inlet valve.

Automatic safety devices

Lid open safety devices:

Once the washing cycle starts, the lid of your machine is locked.

If you want to open the lid during the cycle, release the "On/Off" button and wait 2 or 3 minutes for the lid safety device to unlock.


Similarly, when the cycle has finished or when the machine is stopped with the tank full of water, you must wait for 2 or 3 minutes for the safety device to unlock.

Spinning safety device:

Your washing machine is fitted with a safety device that prevents spinning if it detects uneven loading.

In this case: open the drum, redistribute the clothes and programme a further spinning.

Programme examples

	PROGRAMMES	TEMPERATURES	SPIN SPEED	PRE-WASH	WASH	RINSES	DURATION
White with prewash	Prewash	90	500 to max.	■	■	5	02 : 30
White	1	90			■	5	02 : 15
White ECO	1	40 or 60			■	5	02 : 15
Coloureds and synthetics with prewash	Prewash	60		■	■	5	02 : 30
Coloureds and synthetics	1	40 or 60			■	5	02 : 15
Coloureds and synthetics	2	60			■	5	02 : 00
Coloureds and synthetics	3	40			■	5	01 : 50
Coloureds and synthetics	4	Cold or 30			■	5	01 : 35
Rinsing, spinning white, coloureds and synthetics	Rinse	— —				1	00 : 25
Spinning white, coloureds and synthetics	Spin	— —				—	00 : 20
Wool Woolmark 	5	40	300 to 600		■	4	00 : 50
Wool and delicates	5	Cold or 30			■	4	00 : 50
Rinsing, spinning delicates	Rinse	— —				1	00 : 15
Spinning delicates	Spin	— —				—	00 : 10
Draining	Drain	— —				—	00 : 05

“Wool and delicates” cycles: maximum load 1 kg (these cycles include one 6-minute washing activation phase during which it is normal that the drum of your machine does not turn).



WOOLMARK®

The wool wash cycle of this machine has been approved by Woolmark for the washing of machine washable Woolmark products provided that the garments are washed according to the instructions on the garment label and those issued by the manufacturer of this washing machine.

Routine maintenance

Cleaning the detergent compartment

Clean the detergent compartment regularly. To do this:

- Press simultaneously on the buttons at either side of the compartment, causing it to spring out of its housing (*Diagram 11*).
- Remove the siphon tubes at the back of the compartment.
- Rinse all parts under the tap (*Diagram 12*) (take care to remove any excess water remaining inside the compartment).
- Replace the siphon tubes and refit the compartment.

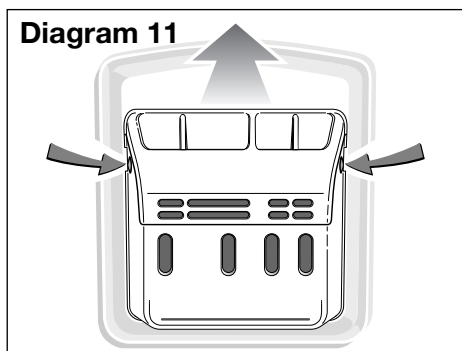
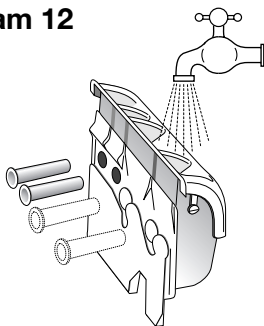


Diagram 12



Cleaning the machine (*Diagram 13*).

For cleaning the surfaces:

use soap and water or a reputable car polish (every 6 months).

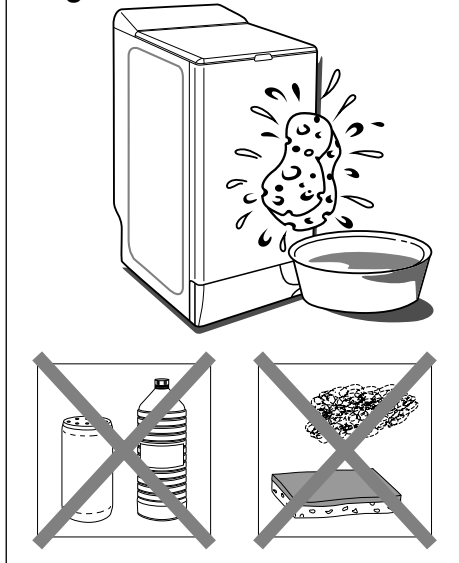
For cleaning all plastics parts (control panels, plinth, etc.):

use only a cloth moistened with water.

Do not use any of the following:

- abrasive powders
- metal or plastic scrubbers
- alcohol-based substances (alcohol, thinners, etc.)

Diagram 13



Care of internal parts

To guarantee proper cleanliness, we recommend:

- leave the lid open for a while after the wash,
- about once a month, clean the drum access plastic and rubber parts using a slightly chlorinated cleaner.

To get rid of any cleaner residues, run a rinse cycle.

- at least once a month, run a wash cycle at 90°C.

Routine maintenance

Cleaning the "debris trap"

This clever system traps any small debris you might have overlooked in the clothes and prevents it from damaging the pump.

To clean the trap:

- rotate the drum so that the closed flaps are at the bottom: you will see a plastic part «**A**» (*Diagram 14*)
- if it is fitted on your machine, remove screw «**B**»
- on some types of machine, part «**A**» is provided with a clip «**C**». If this is the case, unlock part «**A**» by applying pressure to the clip while gently sliding it to the right
- then, in all instances: turn the drum again, open the doors and remove part «**A**» by sliding it in the direction of the arrow
- then rotate the drum slightly with the flaps open, towards the front of the machine.

You then have access to the "debris trap" (*Diagram 15*)

- remove it from its housing
- remove any items from the inside
- rinse it under the tap (*Diagram 16*)
- replace it, pushing it firmly into its housing after first checking that the housing is clean
- refit the plastic part «**A**» and bolt «**B**» by following the above procedure in the reverse order.

Periodic checks

You should check the condition of the water inlet and drain hoses. If you find any splits in the hoses, however minor, do not hesitate to replace them with identical hoses that can be obtained from Kleenmaid Spare Parts.

It is necessary to check that the hose connections on the taps and the rear of the machine have not worked loose and started to leak. Tighten if necessary.

Diagram 14

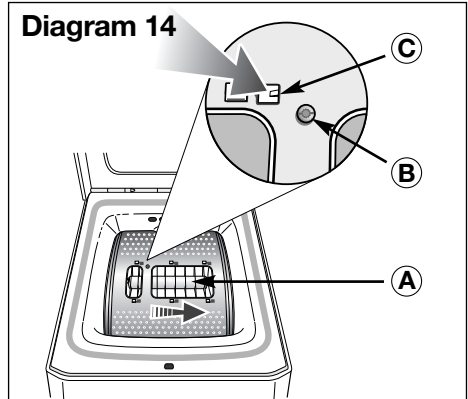


Diagram 15

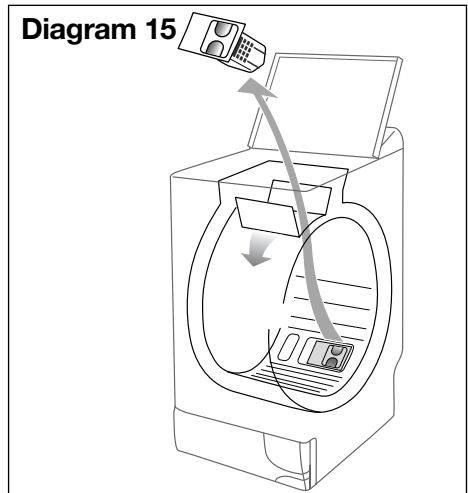
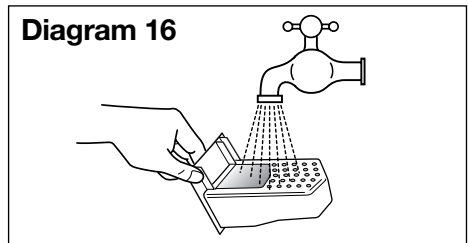


Diagram 16



Routine maintenance

Alternate emptying method

If, after an incident, you have to empty the machine, proceed as follows (*Diagram 17*):

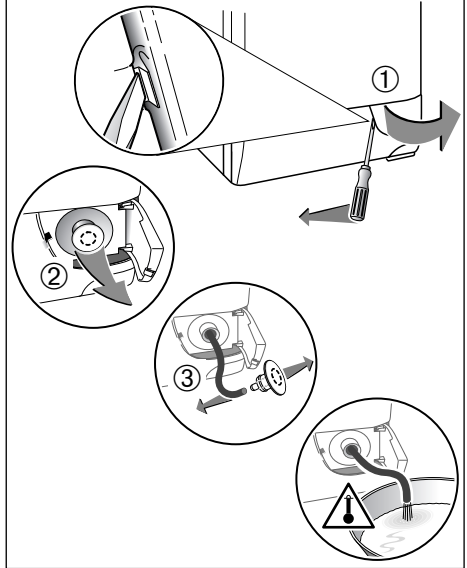
- open the door ① at the front of the machine.

To do this:

- insert a screwdriver as indicated on the diagram
 - detach the door by pressing to the left
- pull on yellow plug ② to release the drain spout.
- separate the plug from the spout ③ and allow the water to flow into a container placed for the purpose (**be careful of the water temperature**).

When emptying is complete, refit the spout by following the above procedure in the reverse order.

Diagram 17



Possible incidents

Incidents may occasionally occur when you are using your washing machine: if so, check the following points.

The washing machine does not work - check:

- water and power supplies
- that the lid is closed.

The machine vibrates when spinning - check:

- the machine has been properly unpacked
- that the ground is horizontal
- that the washing machine is not standing on its "front" castors.

There is water on the floor near the washing machine

(VERY IMPORTANT: UNPLUG THE MACHINE FROM THE POWER SOCKET)

check:

- that the drain hose hook fitting is properly positioned in the drain
- the seal on the water inlet hose or tap (check that the seals are present and that the hose connectors on the machine and on the tap are tight).

There may also be water on the ground near the machine if your machine is producing too much suds.

In this case check:

- that you have in fact used a low suds detergent
- that you have not used too much detergent.

In these two cases, after mopping up the water, plug in the power lead again, programme an emptying operation, then carry out several rinses.

Finally, restart your programme.

The machine does not empty or the clothes are not properly spun

check:

- that you have not programmed a function that prevents spinning (for example, full drum stop)
- that the bottom of the tank is not blocked by some small item of laundry (for example, a handkerchief, sock, etc.).

In this case:

- unplug the machine
- remove as much water as possible using the drain spout (see "**Alternate emptying method**" on page 17)
- remove the washing
- remove part «**A**» (see procedure on page 16 - *Diagram 14*)
- remove whatever is in the bottom of the tub through the holes now accessible. Take the opportunity to clean the "**debris trap**" at the bottom of the tub.
- refit the part «**A**».

Warranty and Service

DOMESTIC WARRANTY FULL FIVE YEAR WARRANTY

In addition to all statutory rights which you, the Consumer, have under the relevant laws in respect of this appliance, during the first five years of ownership as the original purchaser of this Kleenmaid appliance, we guarantee that any fault caused by faulty material or workmanship becoming apparent, will be rectified free of charge for parts and labour, provided that all service is performed during normal working hours by Kleenmaid or their designated Agent. Where the appliance is installed outside the normal servicing area of the above, the Purchaser must pay for the cost of transporting the appliance to and from the Agent or the Agent's travelling cost to and from the Purchaser's home.

COMMERCIAL WARRANTY ONE YEAR WARRANTY

When this appliance is installed in a commercial application, you, the Consumer, have under the relevant laws in respect of this appliance, during the first year of ownership as the original purchaser of this Kleenmaid appliance, we guarantee that any fault caused by faulty material or workmanship becoming apparent, will be rectified free of charge for parts and labour, provided that all service is performed during normal working hours by Kleenmaid or their designated Agent. Where the appliance is installed outside the normal servicing area of the above, the Purchaser must pay for the cost of transporting the appliance to and from the Agent or the Agent's travelling cost to and from the Purchaser's home.

WHAT THIS WARRANTY DOES NOT COVER

We are not responsible for any damage or malfunction unless caused by a defect in material or workmanship. This includes but is not limited to abuse, misuse, improper installation and transportation damage. Kleenmaid will not be responsible for any consequential damages from any malfunction.

WARRANTY REGISTRATION

Please complete the enclosed warranty card and post it to us or phone our After Sales Service.

**KLEENMAID AFTER SALES SERVICE
1 300 652 100**

FOR SERVICE ASSISTANCE

Please contact the Kleenmaid After Sales Service on **1 300 652 100** for assistance.