

- 1 Handle grip
- 2 On/Off switch
- 3 Handle assembly
- 4 Retaining ring
- 5 Cover release flap
- 6 Dust bag housing
- 7 Front cover
- 8 Housing release button
- 9 Base with brush
- 10 Cable
- 11 Attachment tube handle
- 12 Hose
- 13 Carrying handle
- 14 Cable hook
- 15 Attachment tube
- 16 Crevice nozzle
- 17 Upholstery nozzle
- 18 Foot pedal

### CAUTION - Safety advice

#### ELECTRICAL APPLIANCE

- Disconnect from mains before changing brush, bag or filters.
- Keep away from liquid or moisture.
- Vacuum dry surfaces only.

#### THIS APPLIANCE HAS A ROTATING BRUSH:

- do not run over mains cable,
- do not leave plugged in and unattended,
- children must be strictly supervised,
- ensure machine is in upright position and the brush is above level of floor when using hose,
- do not place brush head over rug edges.

Some floorcoverings are not suitable for uprights, eg. Berber carpets. Do not use machine on unsuitable surfaces.

Do not wash filters.  
Do not re-use bags.  
Do not vacuum hot material such as ash.  
Do not remove any screws.  
The warranty will be invalidated if the above advice is ignored.

IT IS THE USERS RESPONSIBILITY TO OPERATE THIS APPLIANCE SAFELY AND CAREFULLY.

PLEASE READ AND RETURN GUARANTEE CARD

Please read this instruction manual before using the machine and pay attention to the safety advice.

### INSTRUCTION MANUAL

Your KLEENMAID vacuum cleaner is designed to give you excellent performance and long life. Reading this manual will help you get the most from its' many features.

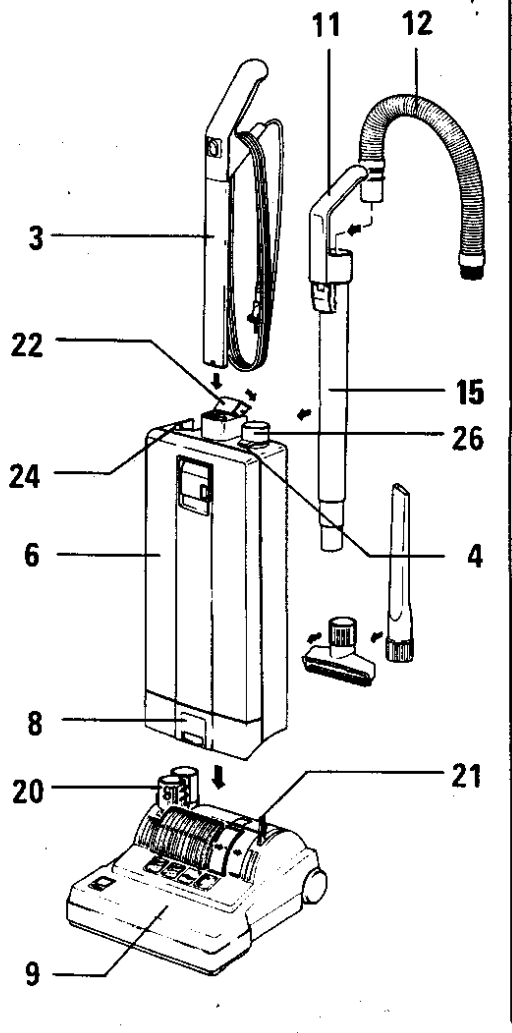
#### Assembling the vacuum cleaner:

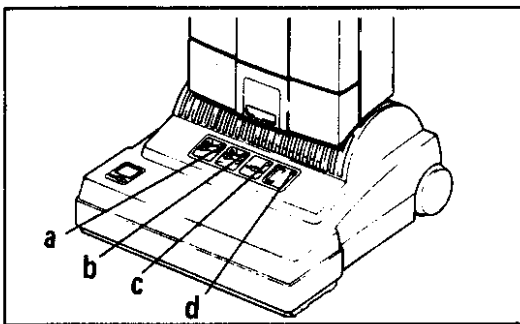
In the box you will find the machine in four major parts. To assemble the machine, put the base (9) on the floor with the swivel neck (20) and black support lever in the upright position. Carefully place the dust bag housing over them and push it down until the release button resets (8).

Lift the catch (22) and slot the handle assembly (3) in until the arrow disappears. Lock the catch (22).

Open retaining ring (4) by rotating it. Slot the black end of the hose into the connecting tube (26) and lock with the retaining ring. Insert the suction tube into the swivel neck and push the handle (11) over the projection (24).

IF THE MACHINE DOES NOT WORK, THEN THE STEPS ABOVE HAVE NOT BEEN EXECUTED CORRECTLY. PLEASE ENSURE THE PARTS ARE PROPERLY PUSHED TOGETHER.

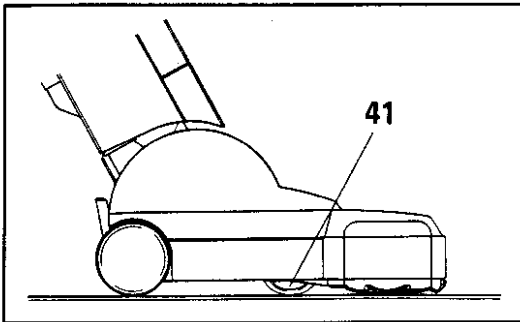




The machine has an information display on the power head with four lights to monitor the automatic functions.

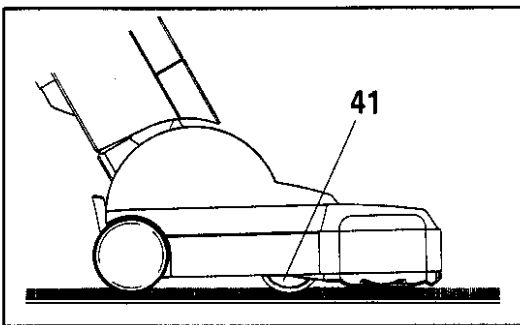
The two green lights (a, b) indicate the brush adjustments of the Active Height Control system. The power head maintains the optimum brush height continuously. The lights will flash intermittently as the machine is moved over the floor. When the machine is clicked into the upright position the brush head automatically lifts from the floor.

The two red lights (c, d) are warning lights.

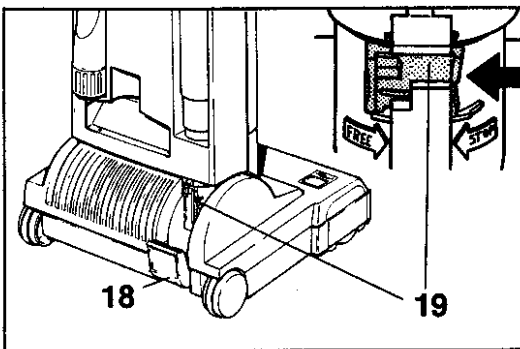


If red light "d" is shining continuously, the bag is full, the filters require replacement, or there is a blockage. When the light is flashing the machine has shut off to prevent overheating.

If red light "c" is on continuously the brush is worn out. When the light flashes and the machine has stopped, then the machine has shut off because of a jammed brush or to prevent carpet damage.

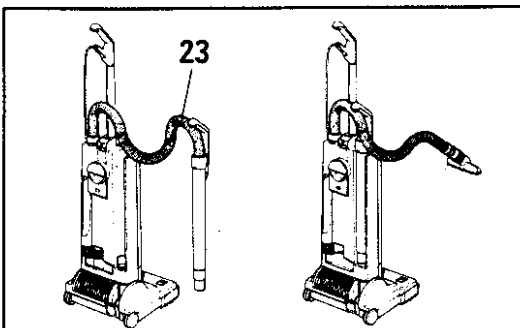


If the light flashes when using the hose with the machine in the upright position, then it is warning that the brush is making contact with the floor. Avoid tilting the brush head on to the floor when using the hose.



To release the machine from the upright position, press the foot pedal (18) down. With the orange slider (19) an intermediate stop position can be added to lift the brush over obstacles. Then to lower the machine to the horizontal position, press the foot pedal again.

To use the tube (23), put the machine into the upright position, then lift the tube from the machine and stretch out the hose until it locks. When the tube is returned to the machine, insure it is pushed down over the projection (24) on the housing. The hose can be used on its own when the tube is fitted to the housing. The attachments (16, 17) fit either to the end of the hose or the end of the tube.

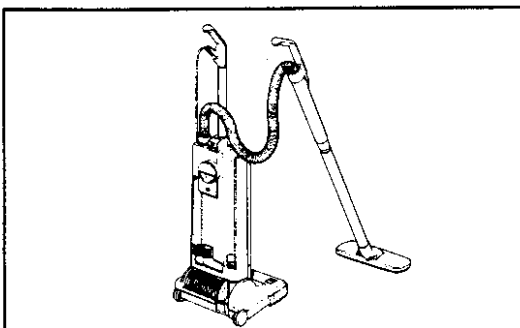


**Caution:**

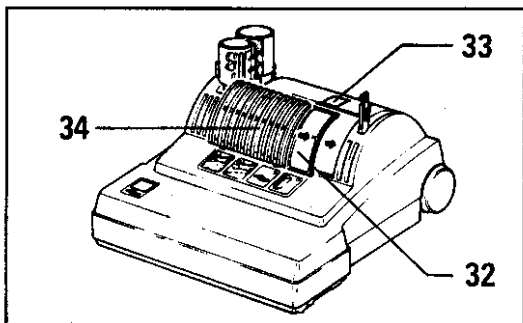
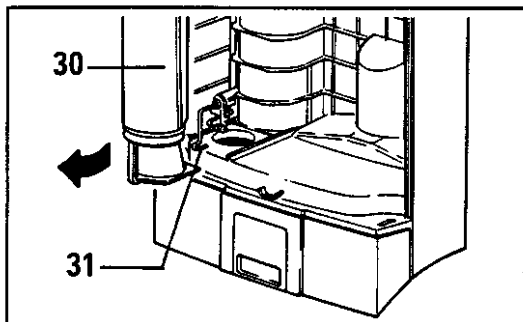
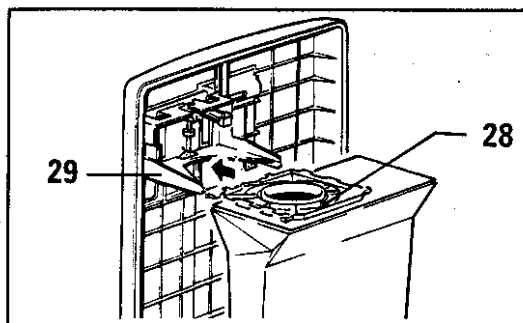
**Do not run the brush over rug fringes.**

**Do not stand the machine over rug edges or fringes when using the hose.**

**Do not tilt the brush head on to the floor when using the hose. Unless clicked upright the machine will brush the floor.**



**Some floor coverings and rugs are very delicate and we advise using the attachment tube with an appropriate floor nozzle attachment for these. On rough or uneven hard floors take care to prevent contact between the floor and the bottom plate. Never run over the cable with the brush. Always carry the machine over steps and sills.**



**CAUTION – Always unplug machine at mains outlet before dismantling any part of machine.**

**Changing the paper bag:**

The red bag light „d“ on the display indicates that there is a reduced air flow. This is caused either by a full paper bag or a blockage in the hose (12) or base (9) of the machine. (To clear, refer to blockage section.) The nature of the bags contents will effect the point at which it needs changing. Fine dust may require an earlier change even when the bag is not filled to the top. Fluff or hair lets the air pass through easily, so the bag may over-fill.

To change the paper bag, lift the flap (5). Then change the bag, as illustrated on its front.

Please ensure that the bag top is located properly on both sides of the holder (29) and pushed in until it locks.

The used paper bag can be sealed with a cap, which is included with each bag in the KLEENMAID Filterbox and Service-Box (Part.-No. 5093ER and 5094ER).

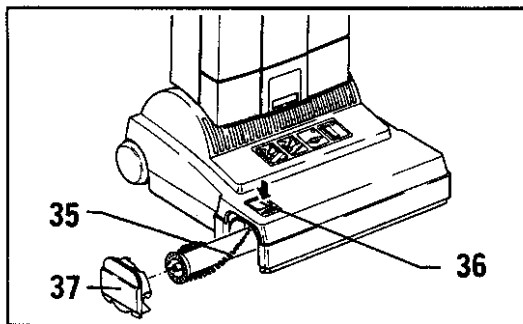
**Changing the filters:**

The KLEENMAID automatic VC 200 has two additional filters, the microfilter and the exhaust filter (Part.-No. 5036ER and 5143). They are also available together with ten paper bags in the KLEENMAID Service-Box (Part.-No. 5049ER). The microfilter is located in the dust bag compartment. The front cover can only be closed when the filter is fitted properly. Lift the metal bar (31) to slide the filter in.

The exhaust filter is fitted on the base (9) below a grill (34, filter cover). To remove the grill, push back the catch (33).

The microfilter (30) needs to be changed when it is dirty or before using twenty paper bags. We recommend changing the exhaust filter (32) with the microfilter.

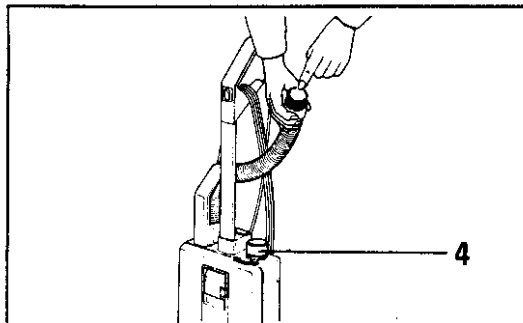
**THE FILTERS MUST NOT BE WASHED.**



**Removing the brush roller:**

To remove the brush roller (35) push the button (36), remove the side plate (37), turn the brush clockwise and pull the brush roller out. To replace, slide the roller into the brush housing and turn it until it locates into position. Push the button (36) and press the side plate (37) back into place.

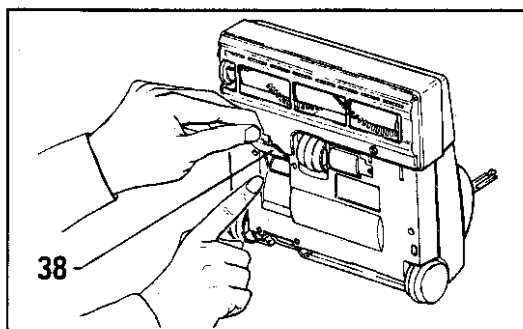
We recommend vacuuming out the brush roller ends periodically to prevent a build up of dust or fibre. When cleaning hair, etc., from the brush roller, do not cut into the bristles.



**Clearing blockages:**

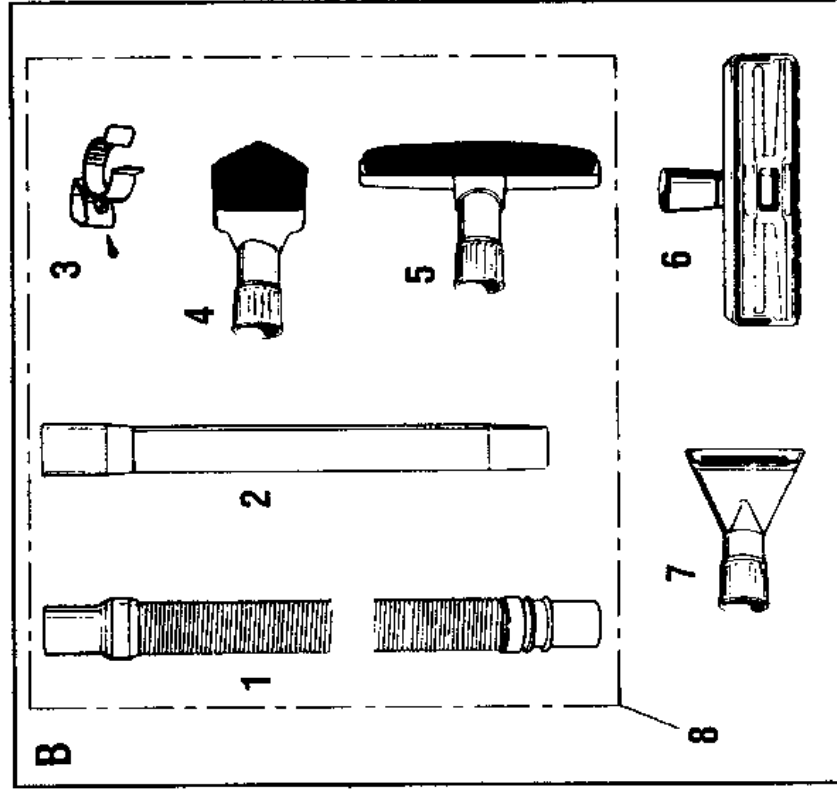
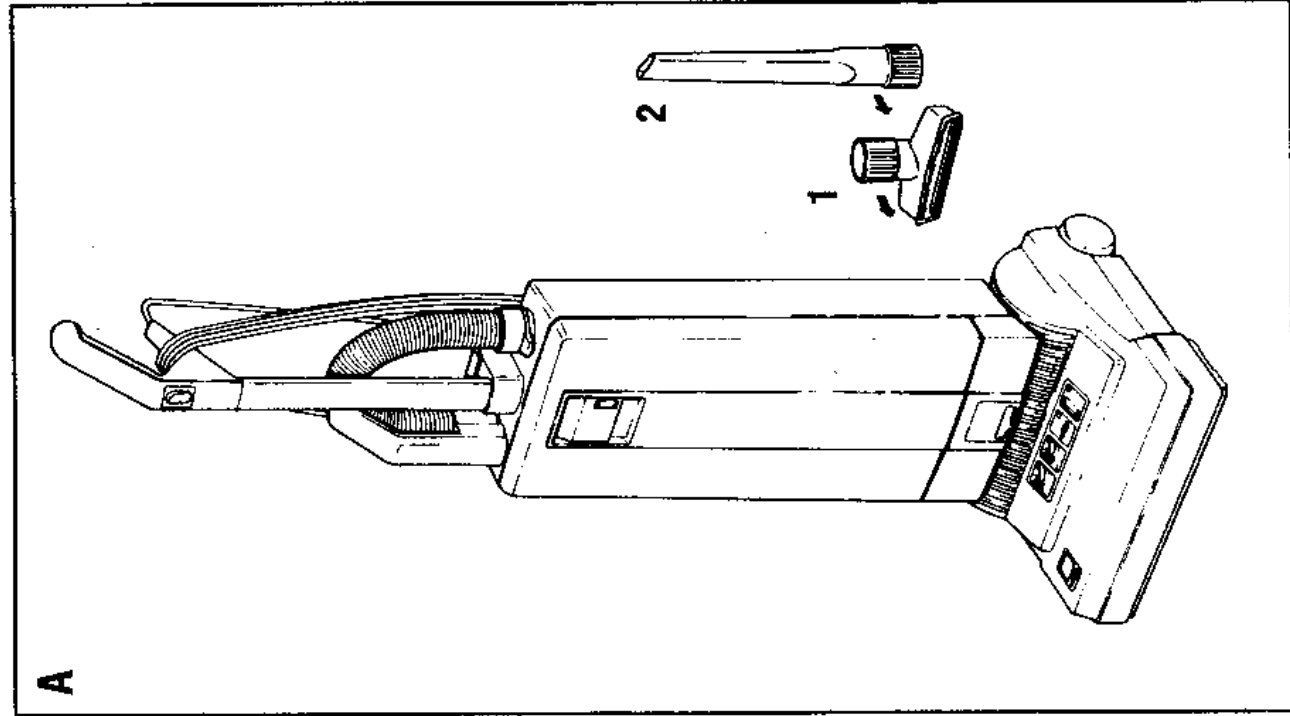
If the machine is not picking up, or the red bag light "d" is on, but the bag is empty and the filters are clean, then it is probably blocked.

First check the hose by placing your hand over the end. If there is no, or very little suction, then it is blocked. Take the hose off by rotating the retaining ring (4). Put it on the machine the wrong way round. Place your hand over the free end repeatedly with the machine on. Also check that the tube (23) is clear.

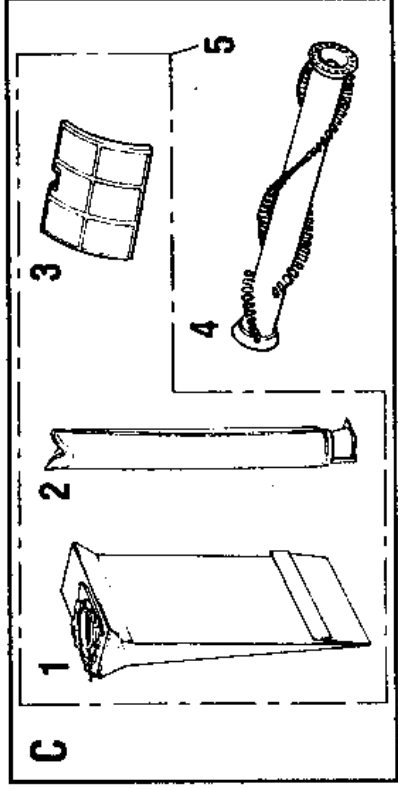


If the hose and tube are clear, check the swivel neck (20) by looking down the neck where the tube fits. Also check the trap door (38) underneath the machine. Ensure the passage between the trap door and the exit to the tube is clear.

# KLEENMAID automatic VC 200



A selection of attachments is available as a kit



## A Attachments

- 1 Upholstery Nozzle
- 2 Crevice Nozzle

## B Optional Attachments

- 1 Extension Hose
- 2 Straight Tube
- 3 Clamp
- 4 Dusting Brush
- 5 Wall and Floor Brush
- 6 Combination Nozzle
- 7 Upholstery Nozzle, special
- 8 Attachments Box-Automatic VC 200

## C Service Parts

- 1 Paper Bag
- 2 Micro-Hygiene-Filter
- 3 Exhaust Filter
- 4 Brush Roller
- 5 Service Box-Automatic VC 200

## Technical Details

Vacuum motor	850 Watt
Air flow	42 L/s
Dust bag	5,3 litres, 3-layer
Working width	308 mm
Brush drive	tooth belt
Brush speed	2700 rpm
Floor adjustment	automatically sensor advised
Cable	10 m
Weight	7,2 kg
Protection	double insulated
Radio suppression	EN 55014 Verf. 242/91

### VACUUM CLEANER WARRANTY

#### DOMESTIC WARRANTY

##### Full Five Years Warranty

In addition to all statutory rights which you, the Consumer, have under all the relevant laws. In respect of this appliance, during your first five years of ownership as the original purchaser of the Kleenmaid VC 200, we guarantee that any fault caused by faulty material or workmanship, becoming apparent will be rectified free of charge for parts or labour provided that all service is performed during normal working hours by Kleenmaid or their designated Agent.

### COMMERCIAL WARRANTY

##### Full One Year Warranty

In addition to all statutory rights which you, the Consumer, have under all the relevant laws in respect of this appliance, during your first one year of ownership as the purchaser of the Kleenmaid VC 200, we guarantee that any fault caused by faulty material or workmanship becoming apparent will be rectified free of charge for parts or labour provided that all service is performed during normal working hours by Kleenmaid or their designated Agent.

The Purchaser must pay the cost of transporting the appliance to and from the Service Agent or the Agent's traveling cost to and from the Purchaser's home.

The Purchaser must pay the cost of transporting the appliance to and from the Service Agent or the Agent's traveling cost to and from the Purchaser's home.

#### What These Warranties Do Not Cover

We are not responsible for any damage or malfunction unless caused by a defect in material or workmanship. This includes, but is not limited to, abuse, misuse, improper installation, and transportation damage. We are not responsible for any consequential damages resulting from any malfunction. These warranties do not cover paper bags, micro filters, motor filters or brush rollers.



# KLEENMAID

**T H E W O R L D ' S B E S T**

For service contact your retailer or phone our customer service hotline  
 Freecall 1-800-072144