

Safety shut off

If the machine will not work despite the **green** light (22) being on, it has switched off to prevent the motor overheating. In this case switch off and unplug the machine. After approximately 30 minutes the machine can be operated again. Before operating, the cause of overheating must be found - full bag, clogged filters or blockage - and rectified.

Clearing blockages

Clear blockages in the hose by fitting it into the suction opening (2) the wrong way round and repeatedly closing the free end with your hand.

Never use a stick to clear the hose.

Clear the telescopic tube the same way. Here a stick could be used. Always ensure that the filters are not clogged.

Domestic Warranty

Full Five Year Warranty

In addition to all statutory rights which you, the Consumer, have under all the relevant laws in respect of this appliance, during your first five years of ownership as the original purchaser of the KLEENMAID VC 310, we guarantee that any fault caused by faulty material or workmanship, becoming apparent will be rectified free of charge for parts or labour provided that all service is performed during normal working hours by KLEENMAID or their designated Agent.

The Purchaser must pay the cost of transporting the appliance to and from the Service Agent or the Agent's traveling cost to and from the Purchaser's home.

Commercial Warranty

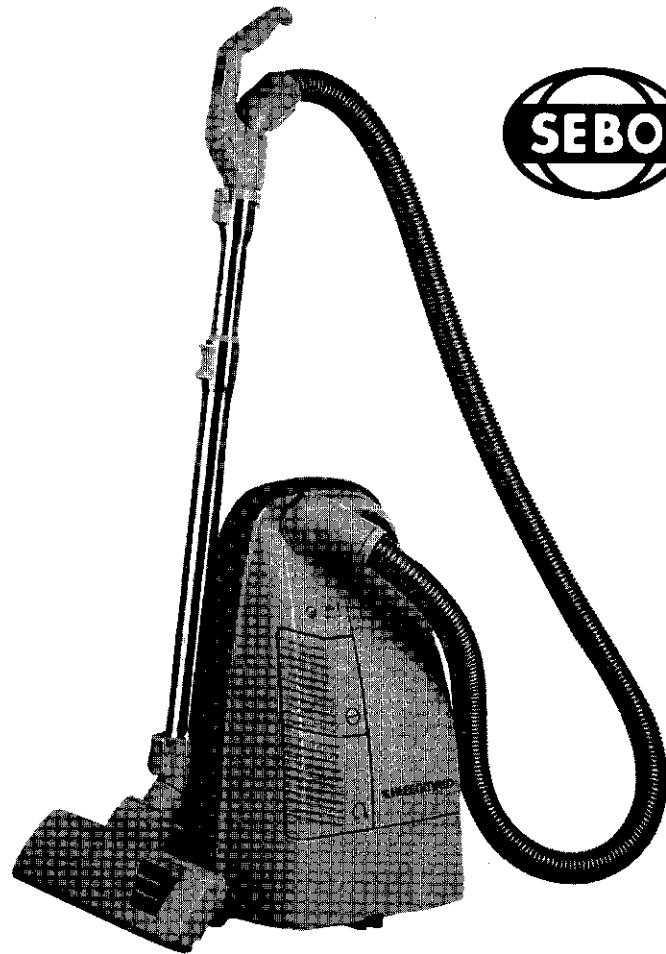
Full One Year Warranty

In addition to all statutory rights which you, the Consumer, have under all the relevant laws in respect of this appliance, during your first one year of ownership as the original purchaser of the KLEENMAID VC 310, we guarantee that any fault caused by faulty material or workmanship, becoming apparent will be rectified free of charge for parts or labour provided that all service is performed during normal working hours by KLEENMAID or their designated Agent.

The Purchaser must pay the cost of transporting the appliance to and from the Service Agent or the Agent's traveling cost to and from the Purchaser's home.

What These Warranties Do Not Cover

We are not responsible for any damage or malfunction unless caused by a defect in material or workmanship. This includes, but is not limited to, abuse, misuse, improper installation, and transportation damage. We are not responsible for any consequential damages resulting from any malfunction. These warranties do not cover paper bags, micro filters or motor filters!



KLEENMAID *air belt* VC 310

High filtration vacuum cleaner
with Side Impact Protection

KLEENMAID *air belt* VC310

Please read this instruction manual before assembling the vacuum cleaner and keep it in the attachment compartment for reference.

CAUTION – Safety advice

This is an electrical appliance.

Disconnect from mains before changing bag or filters.

- only connect to mains outlets which correspond with the data label in the attachment compartment,
- do not expose to liquid or moisture,
- vacuum dry surfaces only,
- the hose and handle contain electrical parts,
- children must be strictly supervised,
- do not vacuum hot material such as ash,
- do not vacuum humans or animals,
- no user serviceable internal parts,
- only use genuine KLEENMAID replacement items,
- do not wash filters,
- do not re-use bags,
- pull out cable fully for prolonged use.

The warranty will be invalidated if the above advice is ignored.
IT IS THE USER'S RESPONSIBILITY TO OPERATE THIS APPLIANCE SAFELY AND CAREFULLY

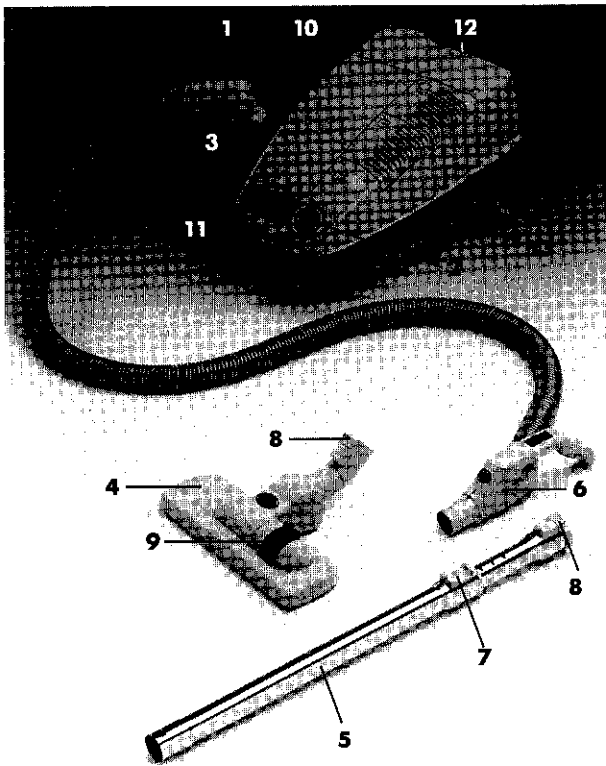
Pay attention to the safety advice.

Your KLEENMAID cylinder vacuum cleaner is designed and made in Germany to the highest technical standards. Microfilters provide high filtration. It is efficient and ergonomic. It anticipates the future and is upgradeable. It follows easily and gives effective furniture protection. The advanced design of the handle with built in power control combines comfort with practicality.

Assembling the vacuum cleaner

In the box you will find the machine, the hose with handle, the telescopic tube and the combination nozzle.

Push the neck (1) of the hose into the suction opening (2) of the vacuum, ensuring that the remote control power plug is aligned with the socket. Fit the combination nozzle (4) to the smooth telescopic tube (5) and the handle (6) to the ratcheted tube. Ensure the locking catches are located in the holes in the tubes.

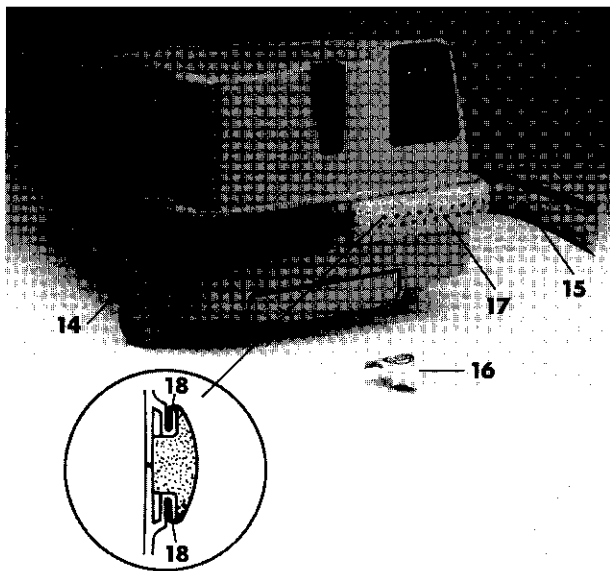


Technical Data

Motor	1500 W max	Filter bag	5,3 litres
	1200 W average	Protection	Double insulated
Air flow	86 litres/sec	Operating range	11 metres
Air Watts	520		<input type="checkbox"/> CE

KLEENMAID

P.O. Box 5560,
Maroochydore South.
Qld. 4558.



Telescopic tube, attachment and combination nozzle

To adjust the telescopic tube (5) use the slide button (7). The catches (8) release the handle and combination nozzle. The latter can be adjusted for carpet and hard floor with the pedal (9).

To open the attachment compartment (10) press the button in the carrying handle recess (11). The attachments fit both the handle (6) and the telescopic tube (5).

When the machine is horizontal the telescopic tube with the combination nozzle can be parked in the groove (12) at the back of the machine. When vertical, use the side groove (13).

The KLEENMAID air belt

Your KLEENMAID cylinder vacuum cleaner has a unique bumper (14) which protects your walls and furniture. The microfiltered exhaust air is dissipated round the *air belt*. The *air belt* can easily be changed. Take the clip (16) off and remove the textile cover (15). The foam part (17) stays on the machine. To fit the new *air belt*, slot the side rails into the grooves (18). Start at the back and proceed round the machine. Secure the ends with the clip (16).

Never operate the machine without an *air belt* (15).

Using the machine

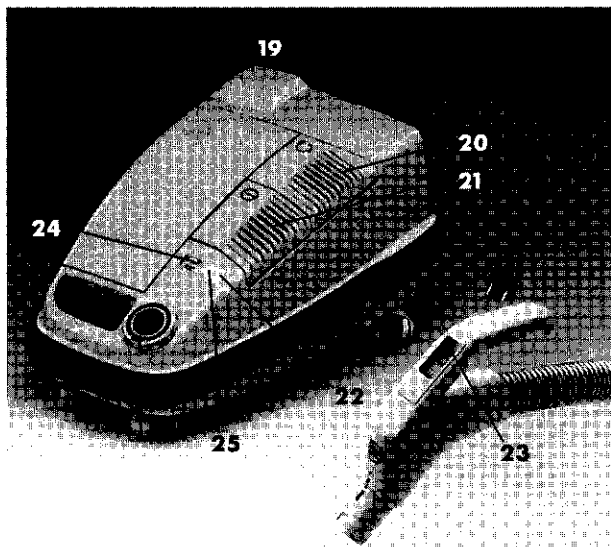
Before connecting the plug, pull the cable (19) fully out. The cable rewind is operated by the rewind button (20). Before rewinding the cable always switch off and unplug the machine.

The main switch (21) turns the machine on, indicated by the green light (22). The machine can be switched to standby mode with the power adjustment slider (23). The **green** light will stay on until the machine is switched off at the main switch (21). The standby mode is for short interruptions. For longer interruptions, always turn off at the main switch and unplug.

Use the socket (24) for power brushes up to 150 W only.

Bag light (orange)

The **orange** bag light (25) is adjusted at full power. At lower power levels the bag light will not function correctly. Check regularly at full power.



CAUTION - Always switch off and unplug the machine before changing the bag, filters etc.

Changing the bag

The orange light (25) indicates that there is a reduced air flow. This is caused either by a full paper bag, or a blockage in the telescopic tube, the handle, or the hose of the machine. (To clear, refer to the blockage section.) The nature of the contents of the bag will effect the point at which it needs changing. Fine dust may require an earlier change even though the bag is not full. Fluff or hair lets air pass through easily, so the bag may overflow without the orange light operating.

To change the bag, put the machine upright and lift the flap (26). Follow the diagrams on the bag to change the old bag for a new one. Please ensure that the bag top (27) is located properly on both sides of the holder (28) and pushed in until it locks. The cover (29) can only be closed with a properly attached paper bag.

The used paper bag can be sealed with a cap which is included with each bag in the KLEENMAID Filterbox and Service-Box-C2/C3 (Part-No. 5093ER and 6198ER).

Do not re-use the paper bags.

Changing the filters

The KLEENMAID *air belt* VC310 has a unique combination of two microfilters, a Hospital Grade microfilter in front of the motor and one in the exhaust (30, Part-No. 6191ER and 31, 6033ER). They are also available with ten paper bags in the KLEENMAID Service-Box-C2/C3 (Part-No. 6198ER).

Both filters are recommended to be changed together. This would normally be after the use of between 10 and 20 paper bags. Or when a significant drop of suction is noticed, e.g. after a damaged bag.

After opening the cover the Hospital Grade microfilter can just be pulled out. The exhaust microfilter is located in the microfilter holder which can be pulled out. Check both microfilters regularly.

Never operate the machine with incorrectly attached filters or without filters, bag, air belt or bag cover (29). The filters must not be washed.

Active charcoal filter

An active charcoal filter (34, Part-No. 6108ER) for removing odours is available. Take it out of the packaging just before fitting and put it in place of the exhaust microfilter (31). Change it when its effect starts to decrease.

