



# Kleenmaid *air belt* VC 320

High filtration vacuum cleaner  
with Side Impact Protection

# KLEENMAID *air belt* VC 320

Please read this instruction manual before assembling the vacuum cleaner and keep it in the attachment compartment for reference.

## **CAUTION – Safety advice**

**This is an electrical appliance.**

**Disconnect from mains before changing bag or filters.**

- only connect to mains outlets which correspond with the data label in the attachment compartment,
- do not expose to liquid or moisture,
- vacuum dry surfaces only,
- the hose and handle contain electrical parts,
- children must be strictly supervised,
- do not vacuum hot material such as ash,
- do not vacuum humans or animals,
- no user serviceable internal parts,
- only use genuine KLEENMAID replacement items,
- do not wash filters,
- do not re-use bags,
- pull out cable fully for prolonged use,
- the appliance is not intended for use by young children or infirm persons without supervision,
- young children should be supervised to ensure that they do not play with the appliance.

The warranty will be invalidated if the above advice is ignored.

IT IS THE USERS RESPONSIBILITY TO OPERATE THIS APPLIANCE SAFELY AND CAREFULLY

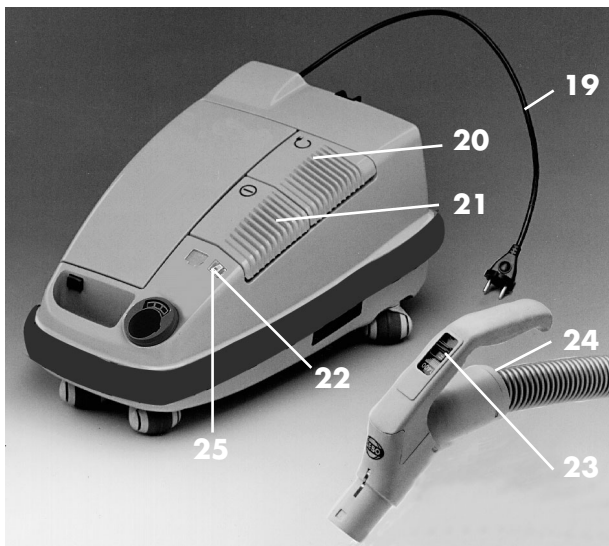
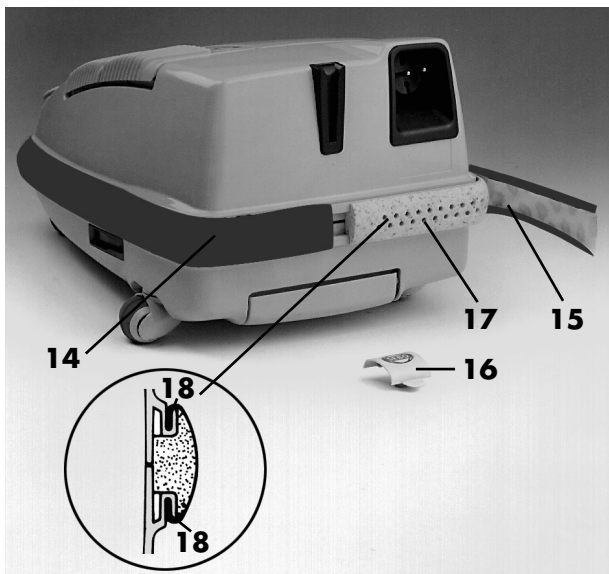
## **Pay attention to the safety advice.**

Your KLEENMAID cylinder vacuum cleaner is designed and made in Germany to the highest technical standards. Microfilters provide high filtration. It is efficient and ergonomic. It anticipates the future and is upgradeable. It follows easily and gives effective furniture protection. The advanced design of the handle with built in power control combines comfort with practicality.

## **Assembling the vacuum cleaner**

In the box you will find the machine, the hose with handle, the telescopic tube and the combination nozzle.

Push the neck (1) of the hose into the suction opening (2) of the vacuum, ensuring that the remote control power plug is aligned with the socket. Fit the combination nozzle (4) to the smooth telescopic tube (5) and the handle (6) to the ratcheted tube. Ensure the locking catches are located in the holes in the tubes.



### **Telescopic tube, attachment and combination nozzle**

To adjust the telescopic tube (5) use the slide button (7). The catches (8) release the handle and combination nozzle. The latter can be adjusted for carpet and hard floor with the pedal (9).

To open the attachment compartment (10) press the button in the carrying handle recess (11). The attachments fit both the handle (6) and the telescopic tube (5).

When the machine is horizontal the telescopic tube with the combination nozzle can be parked in the groove (12) at the back of the machine. When vertical, use the side groove (13).

### **The KLEENMAID *air belt***

Your KLEENMAID cylinder vacuum cleaner has a unique bumper (14) which protects your walls and furniture. The microfiltered exhaust air is dissipated round the *air belt*. The *air belt* can easily be changed. Take the clip (16) off and remove the textile cover (15). The foam part (17) stays on the machine. To fit the new *air belt*, slot the side rails into the grooves (18). Start at the back and proceed round the machine. Secure the ends with the clip (16).

### **Never operate the machine without an *air belt* (15).**

### **Using the machine**

Before connecting the plug, pull the cable (19) fully out. The cable rewind is operated by the rewind button (20). Before rewinding the cable always switch off and unplug the machine.

The main switch (21) turns the machine on, indicated by the green light (22). The machine can be switched to standby mode with the power adjustment slider (23). The **green** light will stay on until the machine is switched off at the main switch (21). The standby mode is for short interruptions. For longer interruptions, always turn off at the main switch and unplug.

For optimal carpet cleaning the machine can be used with power brush. The plug contacts to the socket (24) and fits to the neck of the hose.

### **Use the socket (24) for power brushes up to 150 W only.**

### **Bag light (orange)**

The **orange** bag light (25) indicates a full bag or blockage in the hose or tube. The light only works correctly at full power, at lower, power levels the bag light might indicate incorrectly. Check status regularly at full power.

**CAUTION - Always switch off and unplug the machine before changing the bag, filters etc.**

### **Changing the bag**

The orange light (25) indicates that there is a reduced air flow. This is caused either by a full paper bag, or a blockage in the telescopic tube, the handle, or the hose of the machine. (To clear, refer to the blockage section.) The nature of the contents of the bag will effect the point at which it needs changing. Fine dust may require an earlier change even though the bag is not full. Fluff or hair lets air pass through easily, so the bag may overfill without the orange light operating.

To change the bag, put the machine upright and lift the flap (26). Follow the diagrams on the bag to change the old bag for a new one. Please ensure that the bag top (27) is located properly on both sides of the holder (28) and pushed in until it locks. The cover (29) can only be closed with a properly attached paper bag.

The used paper bag can be sealed with a cap which is included with each bag in the KLEENMAID Filterbox and Service-Box-C2/C3 (Part-No. 5093ER and 6198ER).

**Do not re-use the paper bags.**

### **Changing the filters**

The KLEENMAID *air belt* VC320 has a unique combination of two microfilters, a Hospital Grade microfilter in front of the motor and one in the exhaust (30, Part.-No. 6191ER and 31, 6033ER). They are also available with ten paper bags in the KLEENMAID Service-Box-C2/C3 (Part.-No. 6198ER).

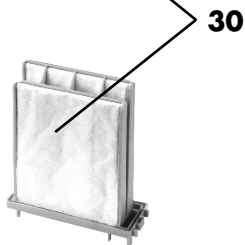
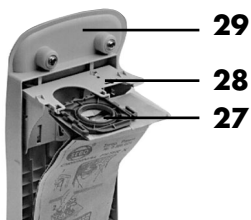
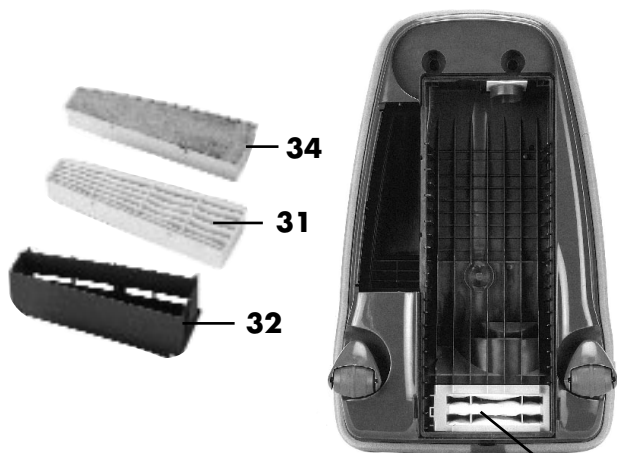
Both filters are recommended to be changed together. This would normally be after the use of between 10 and 20 paper bags. Or when a significant drop of suction is noticed, e.g. after a damaged bag.

After opening the cover the Hospital Grade microfilter can just be pulled out. The exhaust microfilter is located in the microfilter holder which can be pulled out. Check both microfilters regularly.

**Never operate the machine with incorrectly attached filters or without filters, bag, air belt or bag cover (29). The filters must not be washed.**

### **Active charcoal filter**

An active charcoal filter (34, Part-No. 6108ER) for removing odours is available. Take it out of the packaging just before fitting and put it in place of the exhaust microfilter (31). Change it when its effect starts to decrease.



## **Safety shut off**

If the machine will not work despite the **green** light (22) being on, it has switched off to prevent the motor overheating. In this case switch off and unplug the machine. After approximately 30 minutes the machine can be operated again. Before operating, the cause of overheating must be found – full bag, clogged filters or blockage – and rectified.

## **Clearing blockages**

Clear blockages in the hose by fitting it into the suction opening (2) the wrong way round and repeatedly closing the free end with your hand.

### **Never use a stick to clear the hose.**

Clear the telescopic tube the same way. Here a stick could be used. Always ensure that the filters are not clogged.

## **Domestic Warranty**

### **Full Five Year Warranty**

In addition to all statutory rights which you, the Consumer, have under all the relevant laws in respect of this appliance, during your first five years of ownership as the original purchaser of the KLEENMAID VC 320, we guarantee that any fault caused by faulty material or workmanship, becoming apparent will be rectified free of charge for parts or labour provided that all service is performed during normal working hours by KLEENMAID or their designated Agent.

The Purchaser must pay the cost of transporting the appliance to and from the Service Agent or the Agent's travelling cost to and from the Purchaser's home.

## **Commercial Warranty**

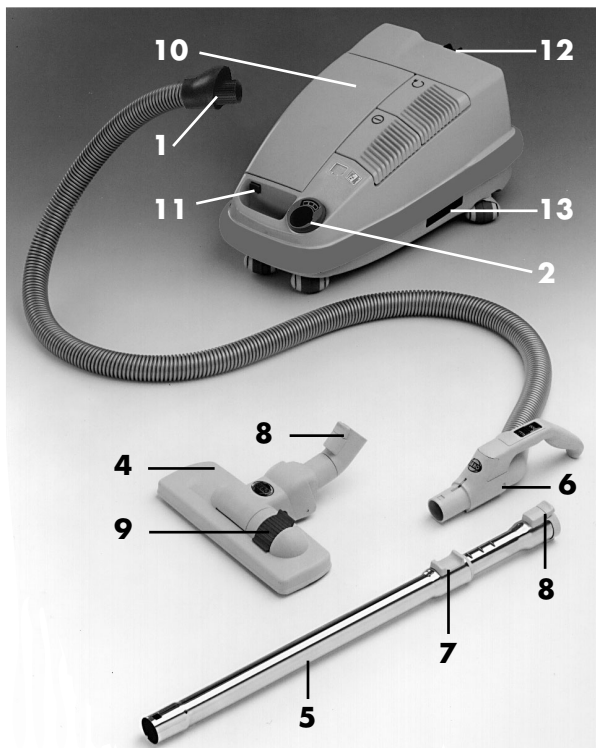
### **Full One Year Warranty**

In addition to all statutory rights which you, the Consumer, have under all the relevant laws in respect of this appliance, during your first one year of ownership as the original purchaser of the KLEENMAID VC 320, we guarantee that any fault caused by faulty material or workmanship, becoming apparent will be rectified free of charge for parts or labour provided that all service is performed during normal working hours by KLEENMAID or their designated Agent.

The Purchaser must pay the cost of transporting the appliance to and from the Service Agent or the Agent's travelling cost to and from the Purchaser's home.

## **What These Warranties Do Not Cover**

We are not responsible for any damage or malfunction unless caused by a defect in material or workmanship. This includes, but is not limited to, abuse, misuse, improper installation, and transportation damage. We are not responsible for any consequential damages resulting from any malfunction. These warranties do not cover paper bags, micro filters or motor filters!



#### Technical Data

Motor 1500 W max  
1200 W average

Air flow 86 litres / sec  
Air Watts 520

Filter bag 5,3 litres  
Protection Double insulated  
Operating range 11 metres



# Kleenmaid

P.O. Box 5560

Maroochydore South.

Qld. 4558.

For service contact your nearest store on 131308 or our After Sales Service on 1300652100