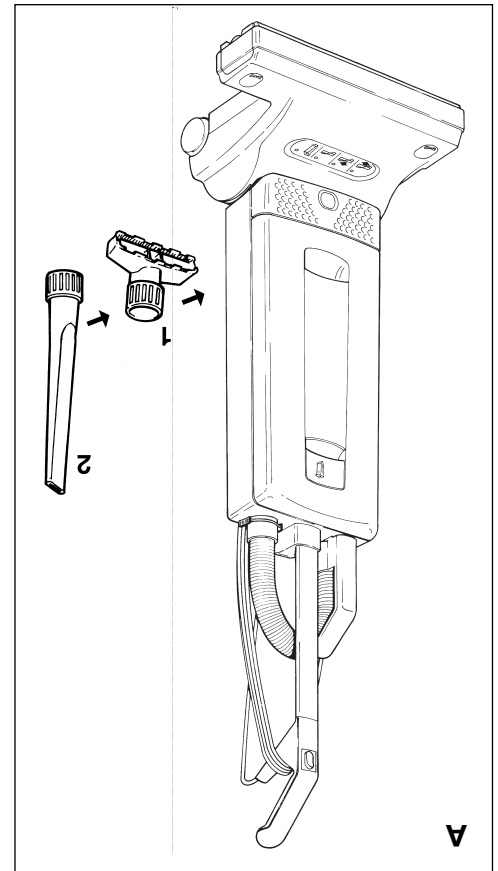


Kleenmaid automatic VC 550



- A** Attachments
1 Upholstery Nozzle
2 Crevice Nozzle
B Optional Attachments
1 Extension Hose
2 Straight Tube
3 Clamp
4 Dusting Brush
5 Wall and Floor Brush
6 Combination Nozzle
7 Upholstery Nozzle, special
8 Attachment Box-Automatic
C Service Parts
1 Paper Bag
2 Micro-Hygiene-Filter
3 Exhaust Filter
4 Brush Roller
5 Service Box-Automatic

A selection of attachments is available as a kit

Technical Details

Vacuum motor	min 1100 Watt	max 1300 Watt
Air flow.....	50 L/s	
Dust bag.....	5,3 litres, 3-layer	
Working width.....	378 mm	
Brush drive.....	tooth belt	
Brush speed.....	2700 rpm	
Floor adjustment.....	automatically	
	sensor advised	
Cable.....	10 m	
Weight.....	7,6 kg	
Protection.....	double insulated	

VACUUM CLEANER WARRANTY

DOMESTIC WARRANTY

Full Five Years Warranty

In addition to all statutory rights which you, the Consumer, have under all the relevant laws. In respect of this appliance, during your first five years of ownership as the original purchaser of the Kleenmaid VC 550, we guarantee that any fault caused by faulty material or workmanship, becoming apparent will be rectified free of charge for parts or labour provided that all service is performed during normal working hours by Kleenmaid or their designated Agent.

The Purchaser must pay the cost of transporting the appliance to and from the Service Agent or the Agent's travelling cost to and from the Purchaser's home.

COMMERCIAL WARRANTY

Full One Year Warranty

In addition to all statutory rights which you, the Consumer, have under all the relevant laws in respect of this appliance, during your first one year of ownership as the purchaser of the Kleenmaid VC 550 we guarantee that any fault caused by faulty material or workmanship becoming apparent will be rectified free of charge for parts or labour provided that all service is performed during normal working hours by Kleenmaid or their designated Agent.

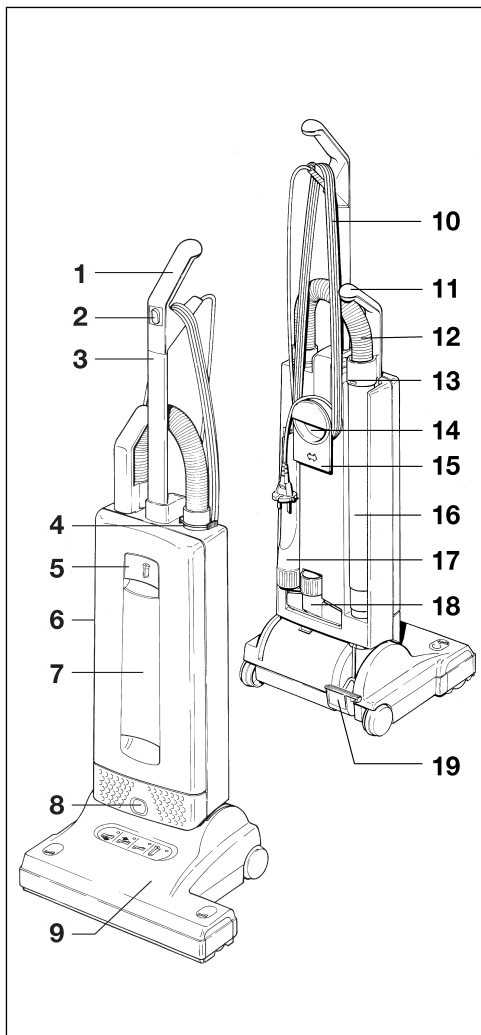
The Purchaser must pay the cost of transporting the appliance to and from the Service Agent or the Agent's travelling cost to and from the Purchaser's home.

What These Warranties Do Not Cover

We are not responsible for any damage or malfunction unless caused by a defect in material or workmanship. This includes, but is not limited to, abuse, misuse, improper installation, and transportation damage. We are not responsible for any consequential damages resulting from any malfunction. These warranties do not cover paper bags, micro filters, motor filters or brush rollers.



For service contact your nearest store on 131308 or our After Sales Service on 1300 652 100



- | | | | |
|---|------------------------|----|------------------------|
| 1 | Handle grip | 10 | Cable |
| 2 | On/Off switch | 11 | Attachment tube handle |
| 3 | Handle assembly | 12 | Hose |
| 4 | Retaining ring | 13 | Carrying handle |
| 5 | Cover release flap | 14 | Cable hook |
| 6 | Dust bag housing | 15 | Attachment tube |
| 7 | Front cover | 16 | Crevice nozzle |
| 8 | Housing release button | 17 | Upholstery nozzle |
| 9 | Base with brush | 18 | Foot pedal |

CAUTION – Safety advice

ELECTRICAL APPLIANCE

- Disconnect from mains before changing brush, bag or filters.
- Keep away from liquid or moisture.
- Vacuum dry surfaces only.

THIS APPLIANCE HAS A ROTATING BRUSH:

- do not run over mains cable,
- do not leave plugged in and unattended,
- children must be strictly supervised,
- ensure machine is in upright position and the brush is above level of floor when using hose,
- do not place brush head over rug edges.

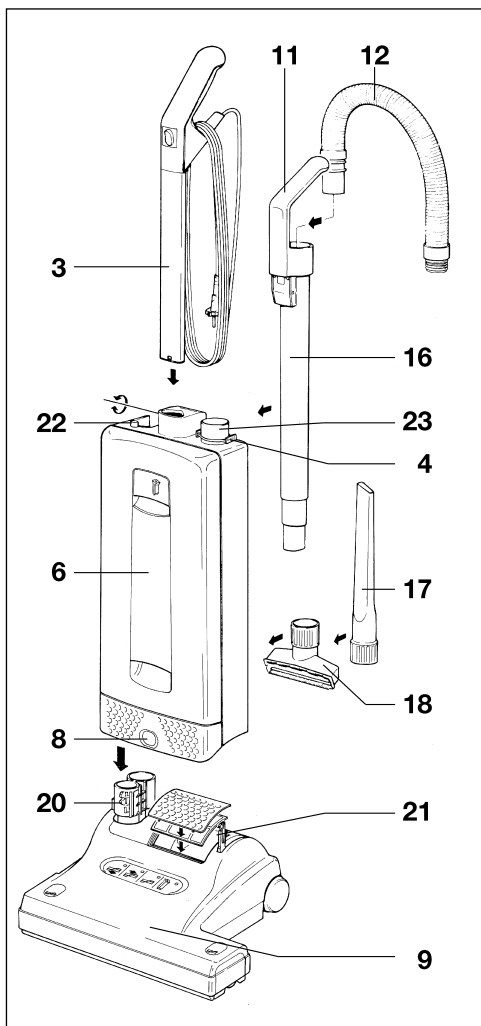
Some floorcoverings are not suitable for upright, eg. Berber carpets. Do not use machine on unsuitable surfaces.

Do not wash filters.
Do not re-use bags.
Do not vacuum hot material such as ash.
Do not remove any screws.
The warranty will be invalidated if the above advice is ignored.

The appliance is not intended for use by young children or infirm persons without supervision. Young children should be supervised to ensure that they do not play with the appliance.

IT IS THE USERS RESPONSIBILITY TO OPERATE THIS APPLIANCE SAFELY AND CAREFULLY.

Please read this instruction manual before using the machine and pay attention to the safety advice.



INSTRUCTION MANUAL

Your Kleenmaid vacuum cleaner is designed to give you excellent performance and long life. Reading this manual will help you get the most from its' many features

Assembling the vacuum cleaner:

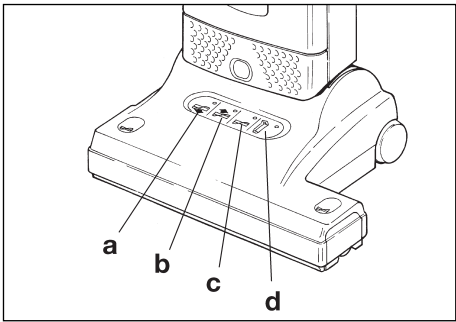
In the box you will find the machine in four major parts. To assemble the machine, put the swivel neck (20) and support lever (21) in the upright position. Carefully place the dust bag housing over them and push down until the release button resets (8).

To lock the handle turn the handle catch (13) at the handle joint of the filter bag housing (6) forward, then slide the handle assembly (3) in as far as possible and lock it with the handle catch.

Push the black end of the hose into the connecting tube (23) so that it clicks into place. Insert the attachment tube (16) into the swivel neck and push the handle (11) over the projection (22).

The hose can be taken off by squeezing the retaining ring (4).

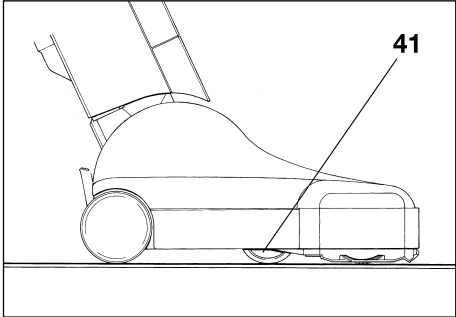
IF THE MACHINE DOES NOT WORK, THEN THE STEPS ABOVE HAVE NOT BEEN EXECUTED CORRECTLY. PLEASE ENSURE THE PARTS ARE PROPERLY PUSHED TOGETHER.



The machine has an information display on the power head with four lights to monitor the automatic functions.

The two **green lights** (a, b) indicate the brush adjustments of the Active Height Control system. The power head maintains the optimum brush height continuously by activating the adjustment wheel (41). The lights will flash intermittently as the machine is moved over the floor. When the machine is clicked into the upright position the brush head automatically lifts from the floor.

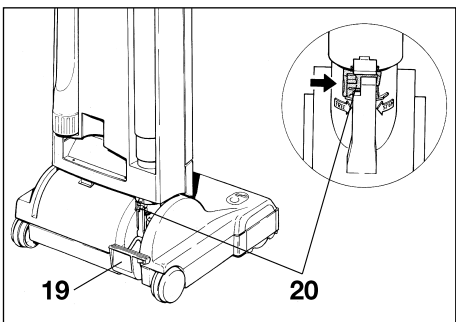
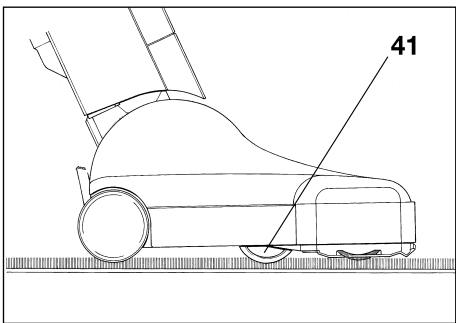
The two **red lights** (c, d) are warning lights.



If **red light "d"** is shining continuously, the bag is full, the filters require replacement, or there is a blockage. When the light is flashing the machine has shut off to prevent overheating.

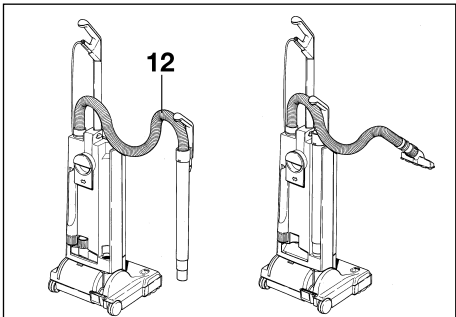
If **red light "c"** is on continuously the brush is worn out. When the light flashes and the machine has stopped, then the machine has shut off because of a jammed brush or to prevent carpet damage.

If the red light "c" flashes when using the hose with the machine in the upright position, then it is warning that the brush is making contact with the floor. Avoid tilting the brush head on to the floor when using the hose.



To release the machine from the upright position, press the foot pedal (19) down. With the orange slider (20) an intermediate stop position can be added to lift the brush over obstacles. Then to lower the machine to the horizontal position, press the foot pedal again.

To use the telescopic hose system (12), put the machine into the upright position, then lift the tube from the machine and stretch out the hose until it locks. When the tube is returned to the machine, insure it is pushed down over the projection (22) on the housing. The hose can be used on its own when the tube is fitted to the housing. The attachments (17, 18) fit either to the end of the hose or the end of the tube.



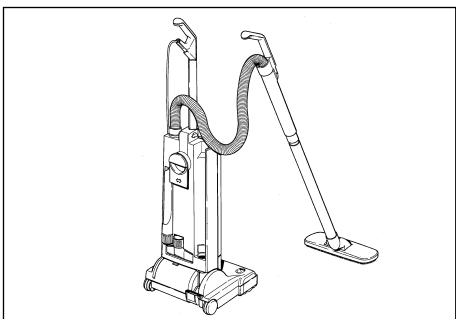
CAUTION:

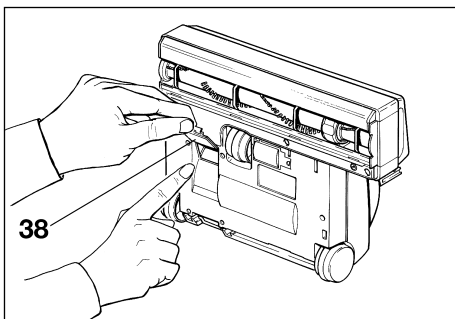
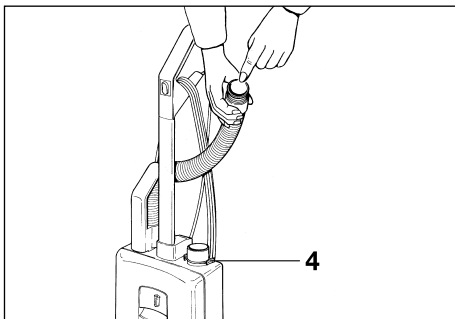
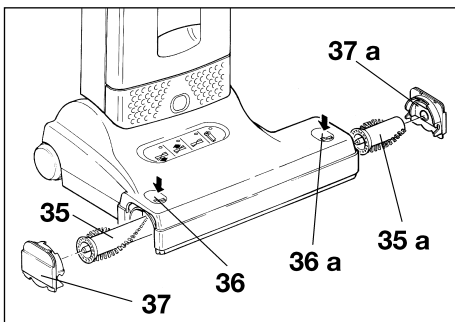
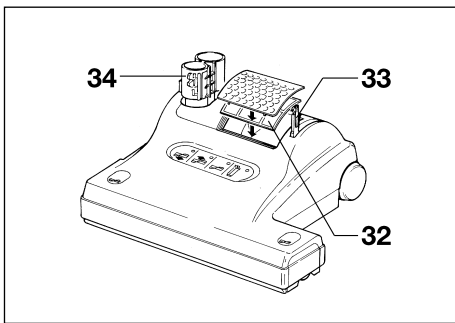
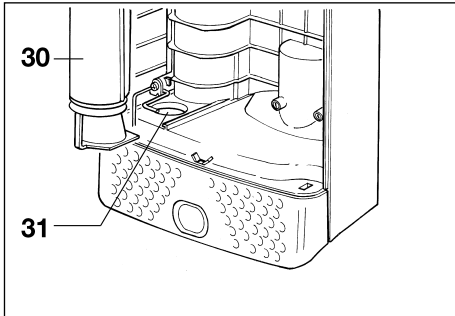
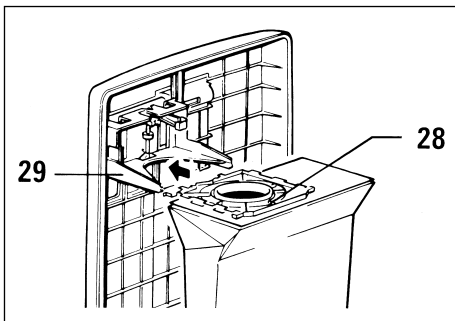
Do not run the brush over rug fringes.

Do not stand the machine over rug edges or fringes when using the hose.

Do not tilt the brush head on to the floor when using the hose. Unless clicked upright the machine will brush the floor.

Some floor coverings and rugs are very delicate and we advise using the attachment tube with an appropriate floor nozzle for these. On rough or uneven hard floors take care to prevent contact between the floor and the bottom plate. Never run over the cable with the brush. Always carry the machine over steps and sills.





CAUTION - Always unplug machine at mains outlet before dismantling any part of machine.

Changing the paper bag:

The red bag light "d" on the display indicates that there is a reduced air flow. This is caused either by a full paper bag, dirty filters, or a blockage in the hose (12) or base (9) of the machine. (To clear, refer to blockage section.) The nature of the bags contents will effect the point at which it needs changing. Fine dust may require an earlier change even when the bag is not filled to the top. Fluff or hair lets the air pass through easily, so the bag may overflow. To change the paper bag, lift the flap (5). Then change the bag, as illustrated on its front.

Please ensure that the bag top is located properly on both sides of the holder (29) and pushed in until it locks.

The used paper bag can be sealed with a cap, which is included with each bag in the KLEENMAID Filterbox and Service-Box (Part.-No. 5093 ER and 5094 ER)

Changing the filters:

The KLEENMAID automatic VC 550 has two additional filters, the microfilter and the exhaust filter (Part.-No. 5036 ER and 5143). They are also available together with ten paper bags in the KLEENMAID Service-Box (Part.-No. 5094 ER). The microfilter is located in the dust bag compartment. The front cover can only be closed when the filter is fitted properly. Lift the metal bar (31) to slide the filter in.

The exhaust filter is fitted on the base (9) below a grill (34, filter cover), To remove the grill, push back the catch (33).

The microfilter (30) needs to be changed when it is dirty, or before using twenty paper bags.

We recommend changing the exhaust filter (32) with the microfilter.

THE FILTERS MUST NOT BE WASHED.

Removing the brush roller:

To remove the brush roller (35) push the button (36), remove the side plate (37), turn the brush clockwise and pull the brush roller out.

To replace, slide the roller into the brush housing and turn it until it locates into position. Push the button (36) and press the side plate (37) back into place.

We recommend vacuuming out the brush roller ends periodically to prevent a build up of dust or fibre. When cleaning hair, etc., from the brush roller, do not cut into the bristles.

Replacing the hard floor strip:

Remove the side plate (37) and slide out the strip. Slide new strip into the groove and refit side plate.

Clearing blockages:

If the machine is not picking up, or the red bag light "d" is on, but the bag is empty and the filters are clean, then it is probably blocked.

First check the hose by placing your hand over the end. If there is no, or very little suction, then it is blocked. Take off the hose by squeezing the retaining ring (4). Put it on the machine the wrong way round. Place your hand over the free end repeatedly with the machine on. Also check that the tube is clear.

If the hose and tube are clear, check the swivel neck (20) by looking down the neck where the tube fits. Also check the trap door (38) underneath the machine. Ensure the passage between the trap door and the exit to the tube is clear.