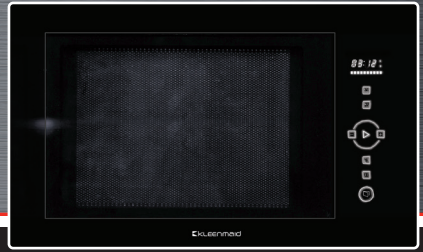


# Built in Microwave Quartz Grill Oven 25 Litre



## Model: MWG4512K

- Aesthetically designed to complement the OMF6030K all black oven
- ESCT Electronic Sensor Touch Controls
- Electronic opening door
- 25 litre capacity
- Easy to clean **quartz** grill
- 8 pre-set cooking programmes
- Automatic multi-stage cooking
- 5 microwave power settings max of 900W
- 1,000W grill power
- Microwave Quick-Start function
- 2 defrost functions, time/weight
- 2 microwave/grill combi functions
- Child safety lock on controls



Lighting



Child Safety Lock



Full Grill



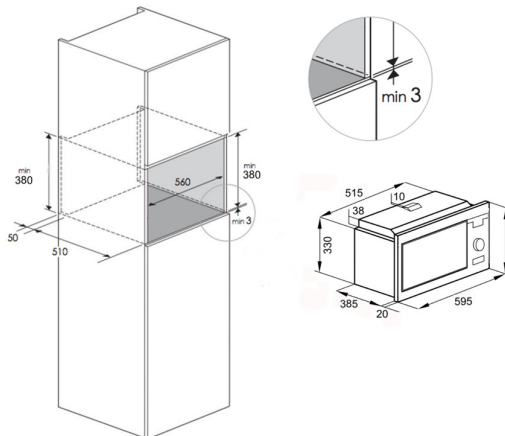
Defrost by weight



Automatic Cooking Programmes



Defrost by time



NOTE: AS THIS MICROWAVE IS A BUILT IN MODEL NO TRIM KIT IS REQUIRED

These dimensions are provided as a general guide only and should not be used for designing or constructing cabinetry or for installation.

To obtain full installation instructions for this appliance go to [kleenmaid.com.au](http://kleenmaid.com.au) and click on User Care Manuals, top right.

Fineline : 0177413

J12373\_01

Level 2, 204 Botany Road, Alexandria NSW, 2015  
P: 02 9310 1207 • E: [support@kleenmaid.com.au](mailto:support@kleenmaid.com.au)  
[www.kleenmaid.com.au](http://www.kleenmaid.com.au)



**kleenmaid**  
The best you can own