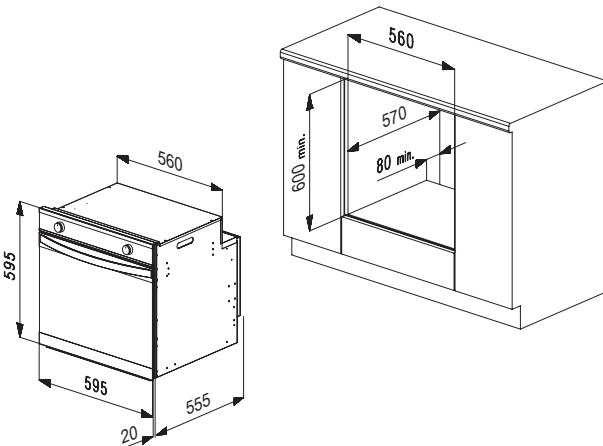


Multifunction Oven – XL 75 Litre



Model: OMF6015

- 11 functions
- Single point, high mount lighting
- Electronic push pull knobs
- Interactive digital control display
- 5 cooking levels
- Fully removable door
- 1 baking tray with wire insert and 2 metal grills
- Programmed cooking
- Pause/Resume
- Child lock
- Energy saving digital clock mode
- Easy access fully removable glass panes with snap lock convenience
- Optional telescopic sliding shelves available, order KM9411A09



These dimensions are provided as a general guide only and should not be used for designing or constructing cabinetry or for installation.

To obtain full installation instructions for this appliance go to kleenmaid.com.au and click on User Care Manuals, top right.



Enamel



Traditional cooking: upper and lower heating elements
Pizza and Bread



Pastry: lower heating element



Lighting



Baking: fan forced



Full Grill



Intensive cooking: upper + lower heating elements + fan



Defrosting: fan



Double Grill



Fan Assisted Double Grill



Thermal Reflective Glass



Interactive Digital Display



Pause/Resume



Child Safety Lock



Programmed Cooking



Fineline: TBA

J12554_01

Level 2, 204 Botany Road, Alexandria NSW, 2015
P: 02 9310 1207 • E: support@kleenmaid.com.au
www.kleenmaid.com.au

kleenmaid
The best you can own