

# Fully Integrated Dishwasher



## Model: DW6021X

- Electronic controls
- LED display
- 7 wash programs
- Residual hot air drying with extra drying option
- Whisper quiet 49dBa
- 12 place setting
- Delayed start 1 – 24 hours
- New self-cleaning filter system
- Fast/Quick cycles – 30 minutes
- 65°C sanitation rinse.
- Easy lift 2 stage adjustable top basket
- Aqua Stop, Anti overflow and Anti flood protection
- Height adjustable cabinet
- Energy rating 3 Stars
- WELS water rating 4.5 Stars
- 10.5 Litres per wash in accordance with AS/NZS 6400
- Half load option
- Floor indicator light



12 place settings



Protection



65°C sanitation cycle



Whisper quiet



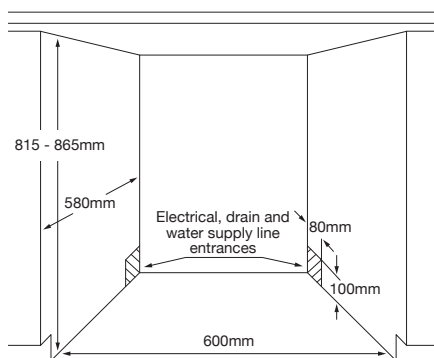
Self cleaning filter system



Delayed start



Half load option



These dimensions are provided as a general guide only and should not be used for designing or constructing cabinetry or for installation.

To obtain full installation instructions for this appliance go to [kleenmaid.com.au](http://kleenmaid.com.au) and click on User Care Manuals, top right.

Fineline :TBA

J13107\_01

