

# 90cm Stainless Steel and Black Glass Island Rangehood



## Model: RHCKL92

- Kleenmaid's unique No Touch Gesture Control operation
- Optional carbon filters available for recirculating installation - Order KMCF200
- 4 extraction speeds including Boost
- Four 1.5w LED lamps
- Washable 5-layer aluminium grease filters
- Low energy BLDC motor for reducing power consumption with 10 Year warranty
- Powerful performance 900 m<sup>3</sup>/h
- 44dbA with Kleenmaid's Whisper technology
- Non-return protection for external air
- 150mm diameter air venting for superior air flow
- This appliance comes with a 10A plug and cord ready for plug in and use



Whisper



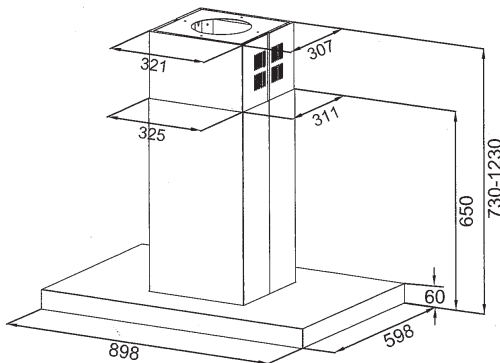
Low Energy  
BLDC Motor



10A Plug  
Ready to use

**B.L.D.C  
MOTOR**

10 year  
warranty



These dimensions are provided as a general guide only and should not be used for designing or constructing cabinetry or for installation.

To obtain full installation instructions for this appliance go to [kleenmaid.com.au](http://kleenmaid.com.au) and click on User Care Manuals, top right.



I/N: TBA

J14105\_02

Level 2, 204 Botany Road, Alexandria NSW, 2015  
P: 02 9310 1207 • E: [support@kleenmaid.com.au](mailto:support@kleenmaid.com.au)  
[www.kleenmaid.com.au](http://www.kleenmaid.com.au)

**KLEENMAID**  
The best you can own